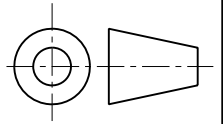


CAD-Original
nicht ändern

DRAWING VALID FROM:
Zeichnung gültig ab: — —

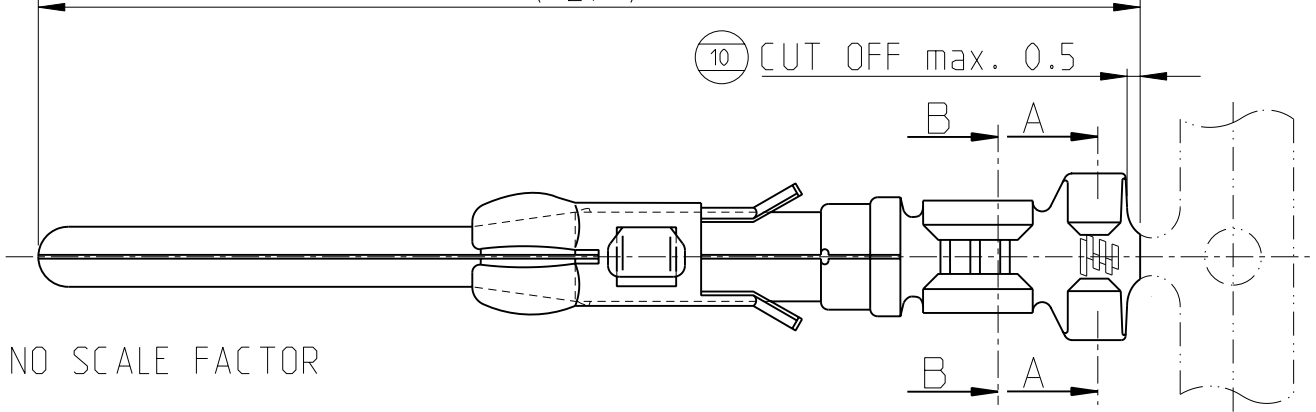
METRIC



EUROPEAN PROJECTION

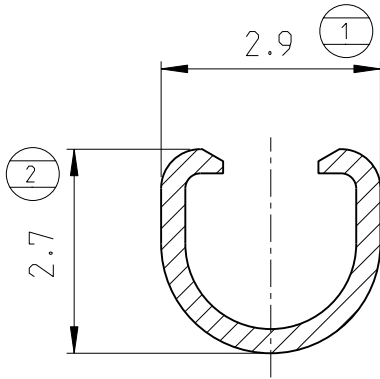
USE HANDTOOL: CRIMPAC TOOL II PN 0-825582-0

(29)

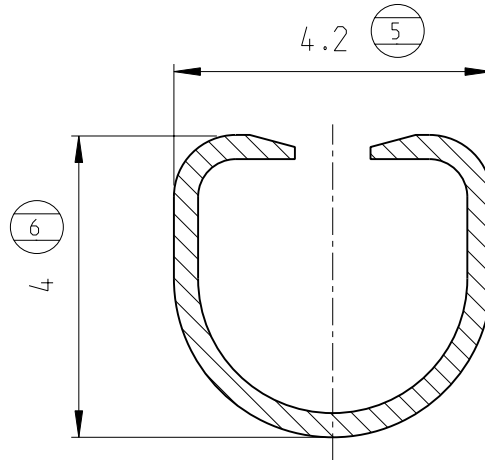


NO SCALE FACTOR

WIRE BARREL
B-B



INSULATION BARREL
A-A



1 CRIMP PRE-FORMED

2 DIMENSIONS FOR STRIP-FORM SEE DRAWING NO. C-926982

| | | | | | | | | | |
|-------------|--|--|--|-----------------------|--|------------------------|--|---|--|
| 0-926982-2 | | PRE TINNED | | CuZn 30 | | 0-926983-2 | | C | |
| 0-926982-1 | | PRE TINNED | | CuSn 4 | | 0-926983-1 | | C | |
| MADE FROM | | FINISH | | MATERIAL | | LP NO | | REV | |
| | | | | | | | | | |
| LOC | | | | WIRE RANGE | | TOLERANCES | | Tyco Electronics Tyco Electronics Czech s.r.o. CZ- K AMP 1293, 664 34 Kurim | |
| GT | | | | 1-2.5 mm ² | | ±0.2 | | | |
| DIST | | | | | | NAME | | K | |
| - | | C2 SEE ECN SEE ECR-10-017608 Pavlíček Straka 29SEP2010 | | INSULATION RANGE | | CI 2 PIN (LOOSE PIECE) | | | |
| LTR | | REVISION RECORD | | ECN | | DR CHK | | DATE | |
| DR | | 30JAN2010 | | APPD | | 12.10.10 | | | |
| M. Pavlíček | | | | T. Konečný | | | | | |
| CHK | | 06FEB2010 | | REL | | | | | |
| P. Straka | | | | | | | | | |
| | | | | Ø2.4-3.7 mm | | SCALE | | LOC | |
| | | | | | | 10:1 | | GT | |
| | | | | | | | | NUMBER | |
| | | | | | | | | A4 | |
| | | | | | | | | 926983 | |
| | | | | | | | | REV | |
| | | | | | | | | C2 | |

THIS INFORMATION IS CONFIDENTIAL AND IS DISCLOSED TO YOU ON CONDITION THAT NO FURTHER DISCLOSURE IS MADE BY YOU TO OTHER THAN AMP PERSONNEL WITHOUT WRITTEN AUTHORIZATION FROM AMP DEUTSCHLAND GMBH, LANGEN B.F.F.H.