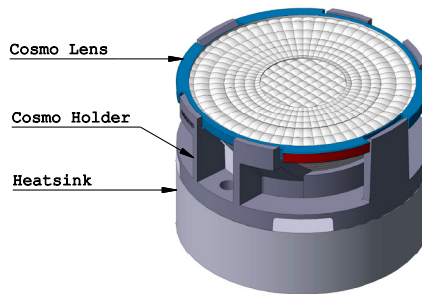
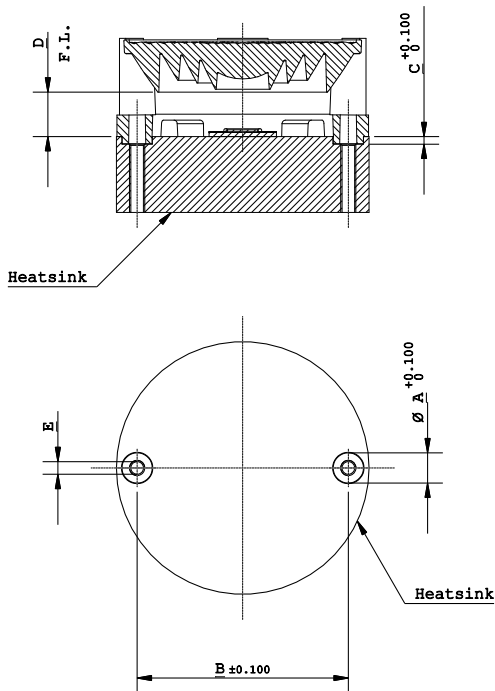


Assembly Specifications & Focal Length



KEPLL 2010 xx Layout:	
- A =	6 mm (0.2362)
- B =	41.8 mm (1.6456)
- C =	1.5 mm (0.0590)
- D =	8.81 mm (0.3468)
- E =	M3

KEPLL 2009 xx Layout:	
- A =	7.6 mm (0.2992)
- B =	59.8 mm (2.3543)
- C =	1.5 mm (0.3468)
- D =	7 mm (0.2755)
- E =	M4

KEPLL 2008 xx Layout:	
- A =	7.6 mm (0.2992)
- B =	75.8 mm (2.9842)
- C =	1.5 mm (0.3468)
- D =	8.61 mm (0.3389)
- E =	M4

Advice

Use TCEI M3/M4 screws

- M3: Maximum tightening torque ~ 1.02 Nm
- M4: Maximum tightening torque ~ 2.34 Nm



1

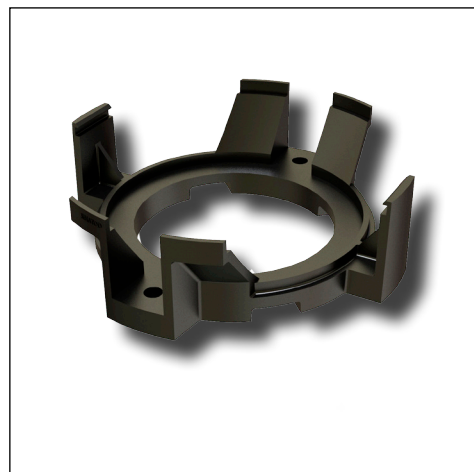
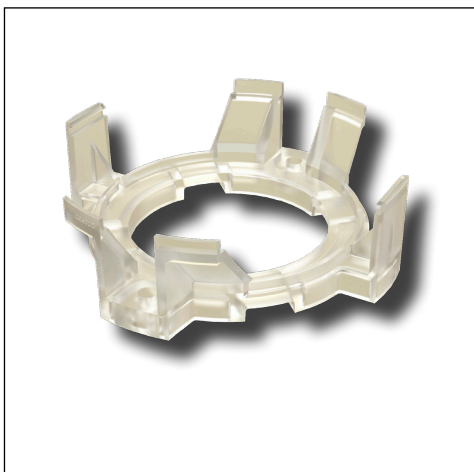


2



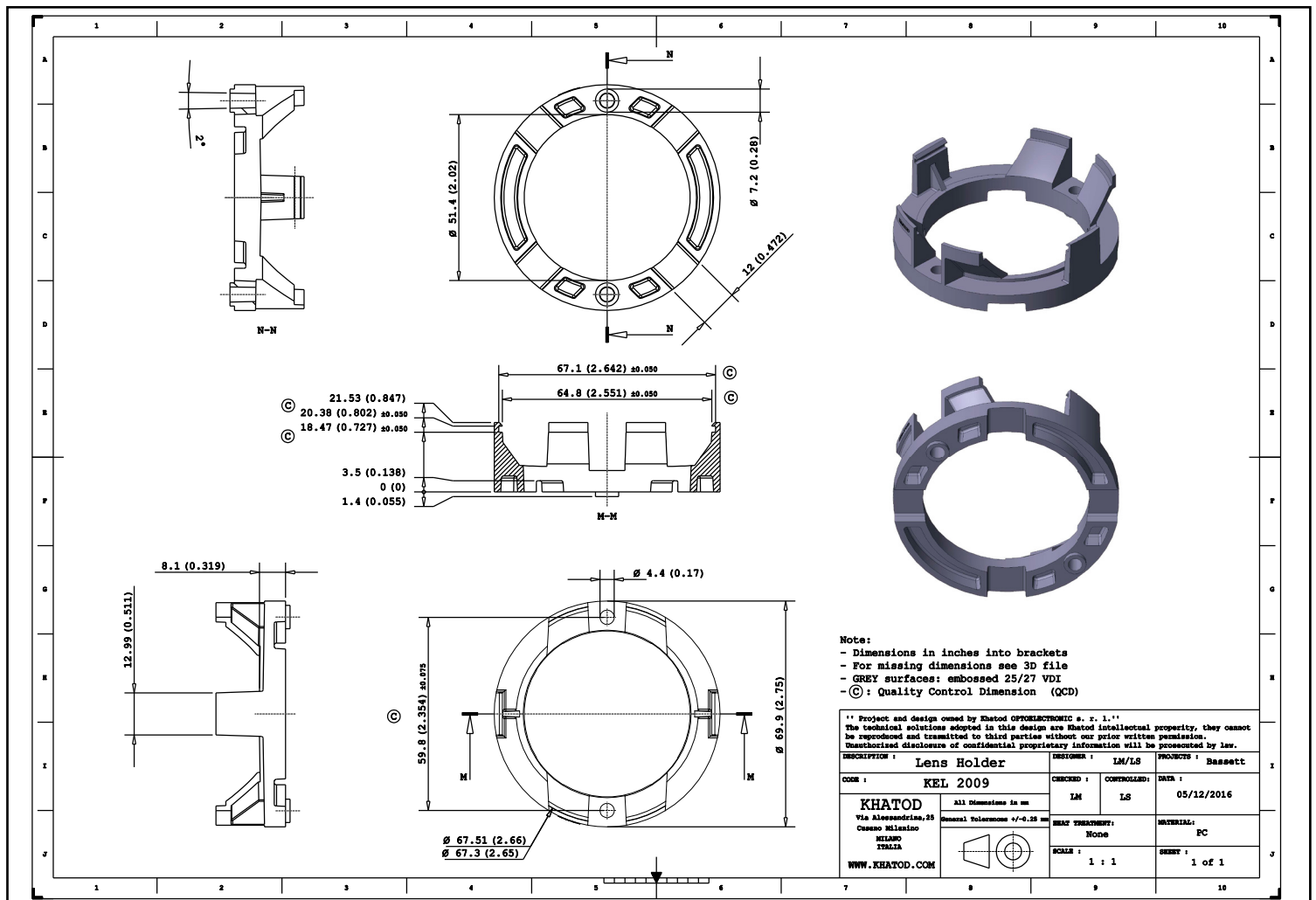
3

Holder: made of PC. Two color options: clear transparent and black.



- Clear Transparent holder P/Ns:
KEL2008 for PLL2008 Series (90mm DIA)
KEL2009 for PLL2009 Series (70mm DIA)
KEL2010 for PLL2010 Series (50mm DIA)
- Black holder P/Ns:
KEL2008/01 for PLL2008 Series (90mm DIA)
KEL2009/01 for PLL2009 Series (70mm DIA)
KEL2010/01 for PLL2010 Series (50mm DIA)

KEL2009 - Holder for PLL2009xx



PLL2009NA + KEL2009/01



PLL2009ME + KEL2009



PLL2009WI + KEL2009/01

Using Connectors



KEL2009 holder is suitable for the connectors specified above.

Materials

Material	Top
PMMA 8N	-40°.....90°C
PC	-40°.....120°C

Notes:

- Intensity (I) and illuminance (E) data are normalized by 1000 lm
- The optical values shown are the result of optical simulations carried out with LIGHTTOOLS, ASAP and ZEMAX software systems. The optical simulations are carried out on the basis of the typical values provided in the LED manufacturers' official datasheets. The photometric analysis has been carried out on physical samples. On request, by supplying your PCB, we can provide the measurement photometric file.

Use and Maintenance

- DO NOT HANDLE OR INSTALL LENSES WITHOUT WEARING GLOVES, SKIN OILS MAY DAMAGE LENS OR LIGHT TRANSMISSION;
- CLEAN LENSES WITH MILD SOAP AND WATER AND A SOFT CLOTH;
- DO NOT USE ANY COMMERCIAL CLEANING SOLVENTS ON LENSES.

Disclaimer

Please note that flow lines and weld lines on the external surfaces of the lenses are acceptable if the optical performance of the lens is within the specifications.

Should you require further information, please contact Khatod for advice. All lens testing must be subject to identical conditions as Khatod test condition. Khatod Optoelectronic, Milan, Italy, manufactures lenses for LEDs. Any other use of the lens shall void our liability and warranty. The lenses are an inert component to be used in the manufacture of various products. Our warranty and liability are limited only to the manufacture of the lens. You may not modify, copy, distribute reproduce, license or alter the lens and related materials of Khatod. Khatod does not warrant against damages or defects arising out of the use or misuse of the products; against defects or damage arising from improper installation, or against defects in the product or in its components. No warranty of any kind, expressed or implied, is made regarding the safety of the products. The entire risk as to the quality or performance of the product is with the buyer. In no event shall Khatod be liable for any direct, indirect, punitive, incidental, special, consequential damages, or any damages whatsoever arising out of or connected with the use or misuse of the product. Khatod shall not have any obligation with respect to the product or any part thereof, whether based on contract, tort, strict liability or otherwise. Buyer assumes all risks and liability from use of the product. The laws of Milan, Italy govern this product warranty and liability and you hereby consent to the exclusive jurisdiction and venue of courts in Milan, Italy in all disputes arising out of or relating to the use of this product. Production, marketing, distribution, sale of these products as well as their possible modifications and variations are only exclusive right of Khatod Optoelectronic. No company can perform any of these actions without written permission released by Khatod Optoelectronic. The information contained in this document is proprietary of Khatod Optoelectronic and may change without notice.

REPRODUCTION PROHIBITED.