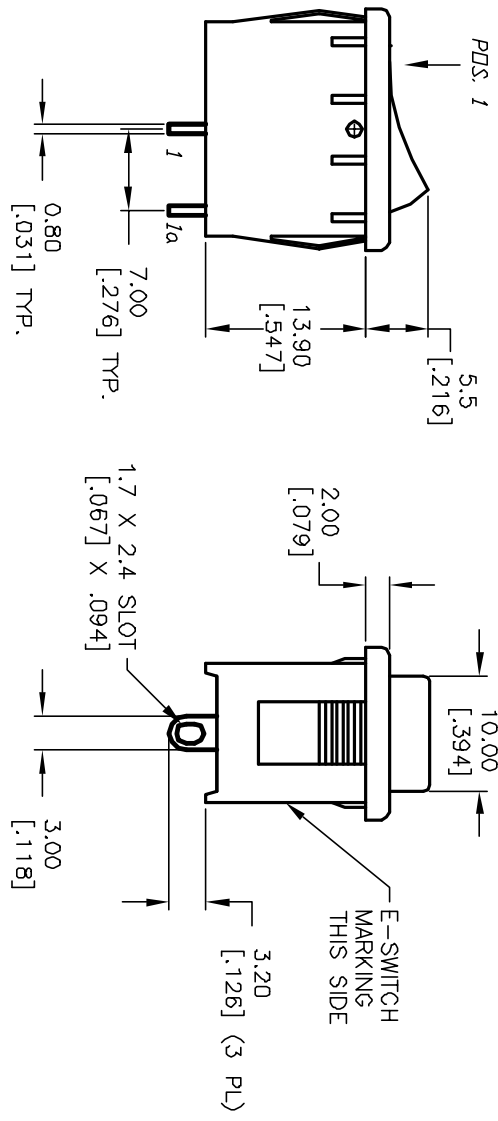
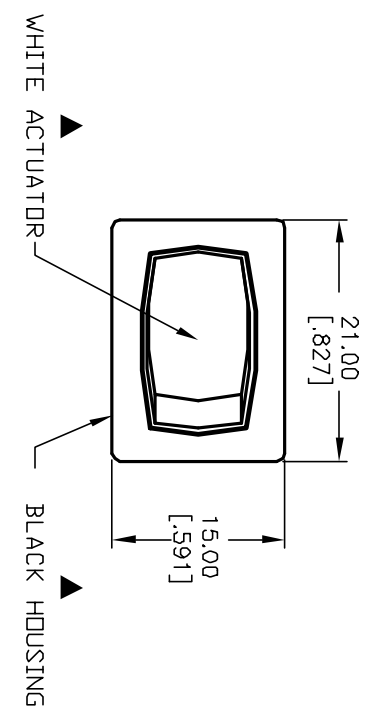
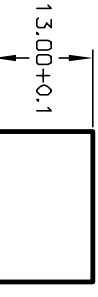
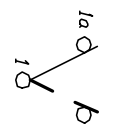


PANEL THICKNESS	X
0.75-1.25	[.030-.049] 19.2 [.756]
1.25-2.0	[.049-.079] 19.4 [.764]
2.0-3.0	[.079-.118] 19.8 [.780]



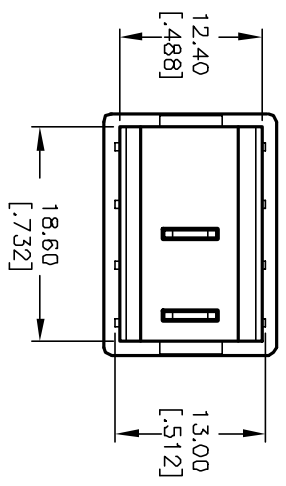
SWITCH FUNCTION	POS. 1	POS. 2
DN	DN	OFF
1-1a	OPEN	



- NOTES:
1. ALL DIMENSIONS IN MM [INCH]
  2. GENERAL TOLERANCE: X.X=±0.4 X.XX=±0.25
  3. TERMINAL NUMBERS FOR REF ONLY.
  4. RATING: 15A @ 125VAC OR 6A @ 250VAC
  5. MECHANICAL LIFE: 15,000 cycles
  6. ELECTRICAL LIFE: 10,000 cycles
  7. INSULATION RESISTANCE: >1000 Mega Ω
  8. CONTACT RESISTANCE: <20 Mega Ω
  9. DIELECTRIC STRENGTH: >1500 V 1 minute >3000 V between poles
  - ▲ 10. DESIGNATE MAJOR FEATURE:

**E-SWITCH®**

R1966A BLK WHT E S



REV.	ECN No.	DESCRIPTION	DATE	CHKD
A	11664	RELEASED FOR PRODUCTION	9/19/01	CJB

TITLE	SCALE	DATE	DR	DWG	REV
R1966A BLK WHT E S	1.5:1	9/19/01	CB	M301114	A

THE INFORMATION CONTAINED IN THIS DOCUMENT IS PROPRIETARY TO E-SWITCH AND IS NOT TO BE COPIED OR TRANSFERRED