

ECN#	APP'D./DATE	REV.
10412	TAM 6/3/94	12

### SAFETY ORGANIZATION(S):

THIS MODULE HAS BEEN FORMALLY RECOGNIZED, CERTIFIED OR APPROVED BY THE LISTED AGENCY. THEREFORE, ALL TEST/REQUIREMENTS SPECIFIED IN THE LATEST REVISION OF THE FOLLOWING AGENCY STANDARDS HAVE BEEN MET:

UL RECOGNIZED	UL 498
CSA CERTIFIED	CSA 22.2, NO.0,0,4,42
VDE APPROVED	VDE 625

### OPERATING SPECIFICATIONS:

LINE VOLTAGE/CURRENT: 6 AMP, 120 VAC  
 4 AMP./40°C, 250 VAC  
 LINE FREQUENCY: 47-440Hz

### RELIABILITY SPECIFICATIONS:

STORAGE TEMPERATURE: -55°C TO +85°C  
 HUMIDITY: 21 DAYS @ 40°C 95% RH  
 CURRENT OVERLOAD TEST: 6 TIMES RATED CURRENT FOR 8 SECONDS

### TEST SPECIFICATIONS:

LINE/GROUND AND LINE/LINE INSULATION RESISTANCE: 6000MΩ (MIN) AT 100VDC  
 20°C AND 50% RH

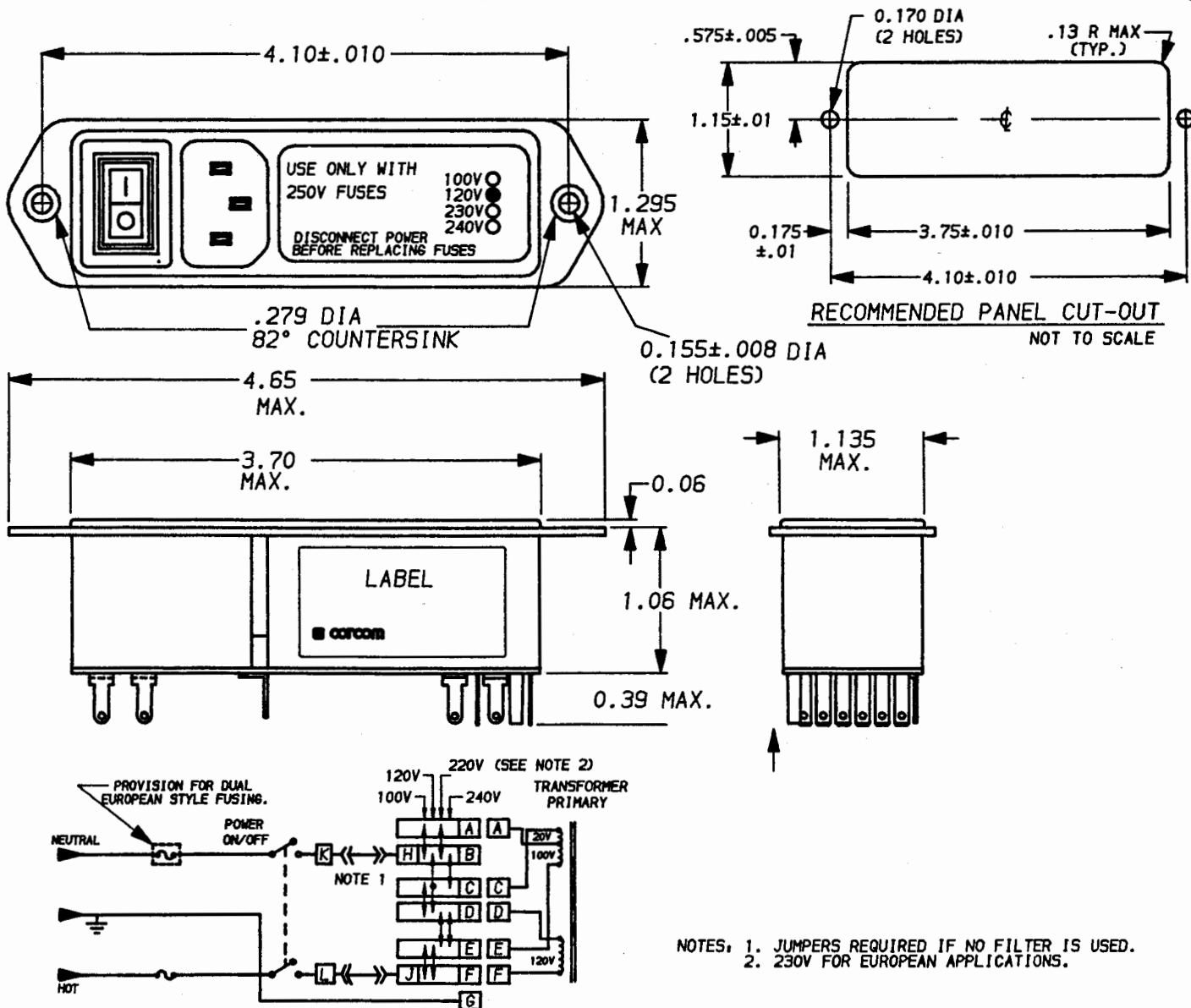
### RECOMMENDED RECEIVING INSPECTION HIPOT:

LINES TO GROUND: 1500 VAC FOR 1 MINUTE  
 LINE TO LINE: 1450 VDC FOR 1 MINUTE

### FILTER APPROVAL:

THE BEST WAY TO SELECT AND QUALIFY A FILTER IS FOR YOUR ENGINEERING TO TEST THE UNIT IN YOUR EQUIPMENT.

U.S. PATENT No. 4,488,201



	UNLESS OTHERWISE SPECIFIED, TOLERANCE TO BE ±.025 MATERIAL & FINISH: AS SUPPLIED	 LIBERTYVILLE, IL 60048
	This document is proprietary to CORCOM INC. and is not to be reproduced nor used for manufacturing purposes except on CORCOM'S prior written consent.	DATE: 4-18-94
		APP'VD.
