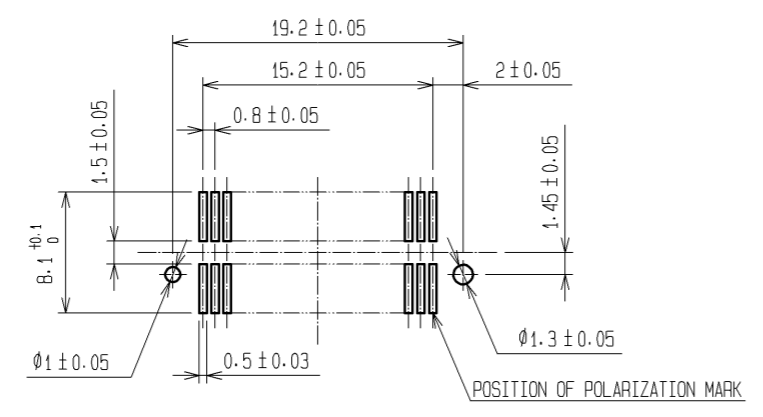


- NOTE
- 1 HRS MARK SHALL BE OPTIONAL.
  - 2 LEAD CO-PLANARITY SHALL BE 0.1mm MAX.
  - 3 EMBOSSED CARRIER TAPE PACKAGING SHALL BE APPLIED FOR THIS PRODUCT. SEE NEXT PAGE FOR DETAILS.
  - 4 THIS PRODUCT HAS TAPE FOR VACUUM PICKUP. SEE NEXT PAGE FOR DETAIL OF STICKING POSITION, ETC.
  - 5 FOR MODIFICATION, ETC. PREVENTIVE HOLE FOR SINK MARK MAY BE ADDED ACCORDING TO CIRCUMSTANCES.
  - 6 THE DIMENSIONS IN PARENTHESES ARE FOR REFERENCE.

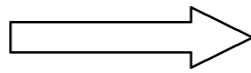
RECOMMENDED LAND PATTERN DIMENSION OF PCB (MOUNTING SIDE)  
(RECOMMENDED METAL MASK THICKNESS: 0.15mm)



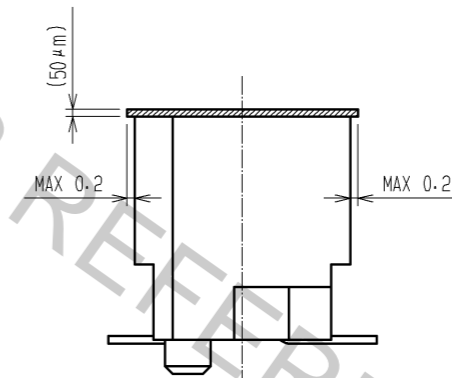
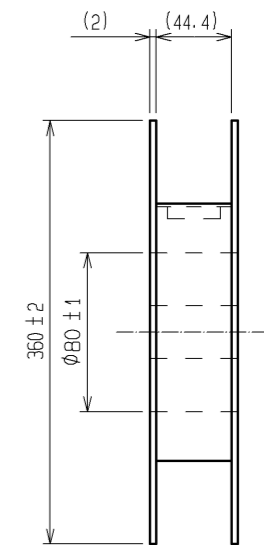
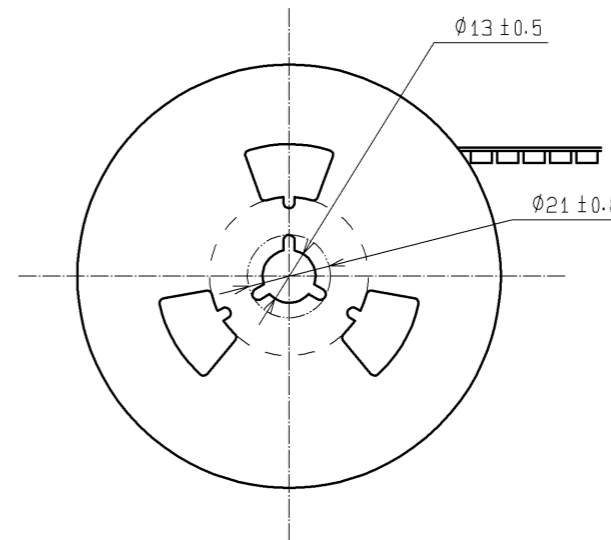
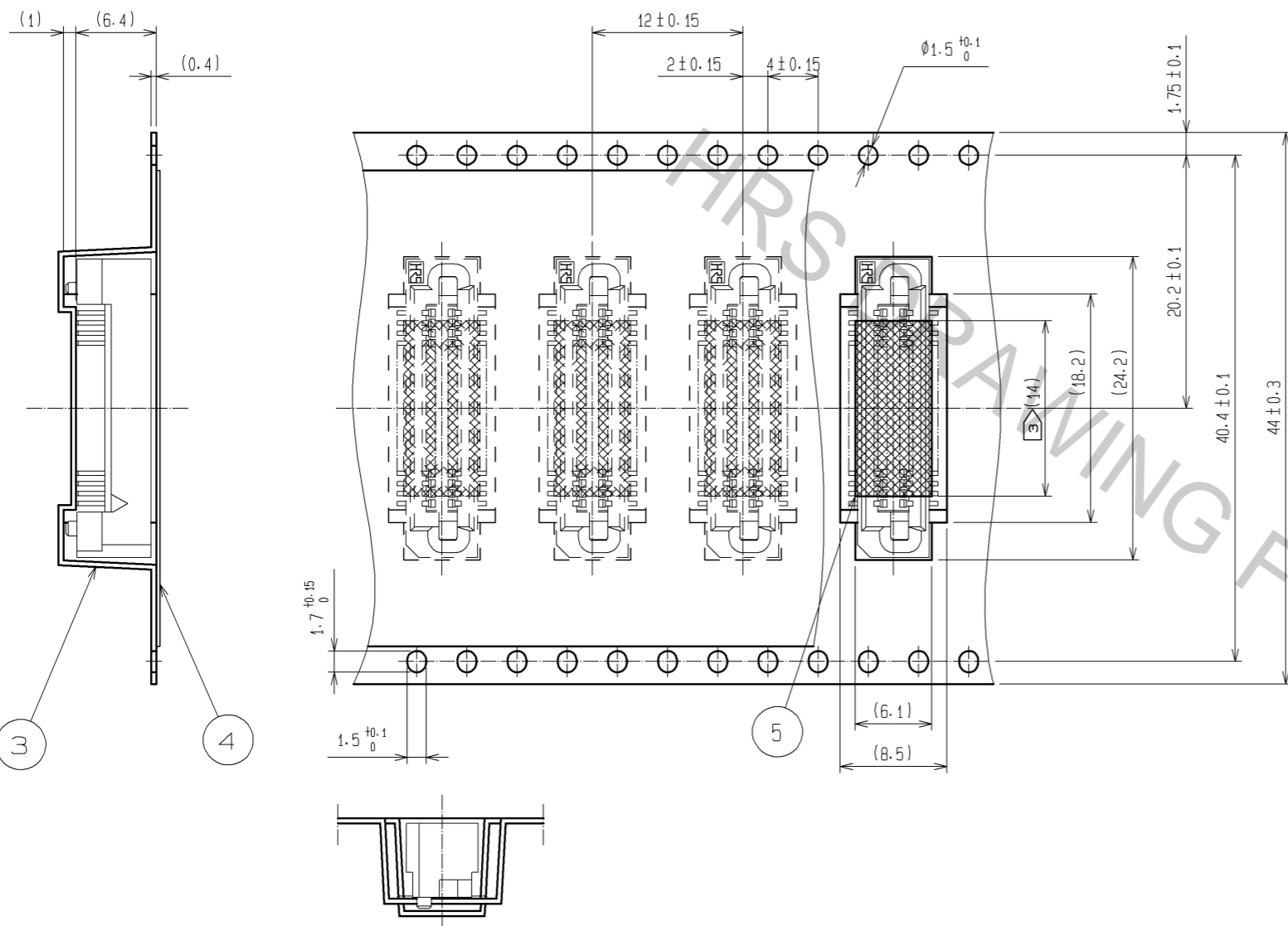
| 2                         | PHOSPHOR BRONZE | CONTACT AREA: GOLD 0.1µm min.   |            |                          |                          |                    |         |      |
|---------------------------|-----------------|---------------------------------|------------|--------------------------|--------------------------|--------------------|---------|------|
|                           |                 | LEAD AREA: TIN-PLATING 1µm min. |            |                          |                          |                    |         |      |
|                           |                 | UNDER PLATING: NICKEL 2µm min.  |            |                          |                          |                    |         |      |
| 1                         | PPS             | LIGHT BROWN (UL94V-0)           | 5          | POLYIMIDE                | (TAPE FOR VUCUUM PICKUP) |                    |         |      |
|                           |                 |                                 | 4          | POLYESTER                | (TOP COVER TAPE)         |                    |         |      |
|                           |                 |                                 | 3          | POLYSTYRENE              | (EMBOSSED CARRIER TAPE)  |                    |         |      |
| NO.                       | MATERIAL        | FINISH . REMARKS                | NO.        | MATERIAL                 | FINISH . REMARKS         |                    |         |      |
| UNITS<br>mm               |                 | SCALE<br>2 : 1                  | COUNT<br>△ | DESCRIPTION OF REVISIONS |                          | DESIGNED           | CHECKED | DATE |
| HIROSE ELECTRIC CO., LTD. |                 | APPROVED : HS. OKAWA            | 08.07.23   | DRAWING NO.              |                          | EDC3-084980-23     |         |      |
|                           |                 | CHECED : HT. YAMAGUCHI          | 08.07.23   | PART NO.                 |                          | FX6-40S-0.8SV2(93) |         |      |
|                           |                 | DESIGNED : SY. KAMIGA           | 08.07.22   | CODE NO.                 |                          | CL576-0123-0-93    |         |      |
|                           |                 | DRAWN : HK. SUNADORI            | 08.07.17   |                          |                          | △ 1/2              |         |      |

DRAWING FOR PACKING(2:1)

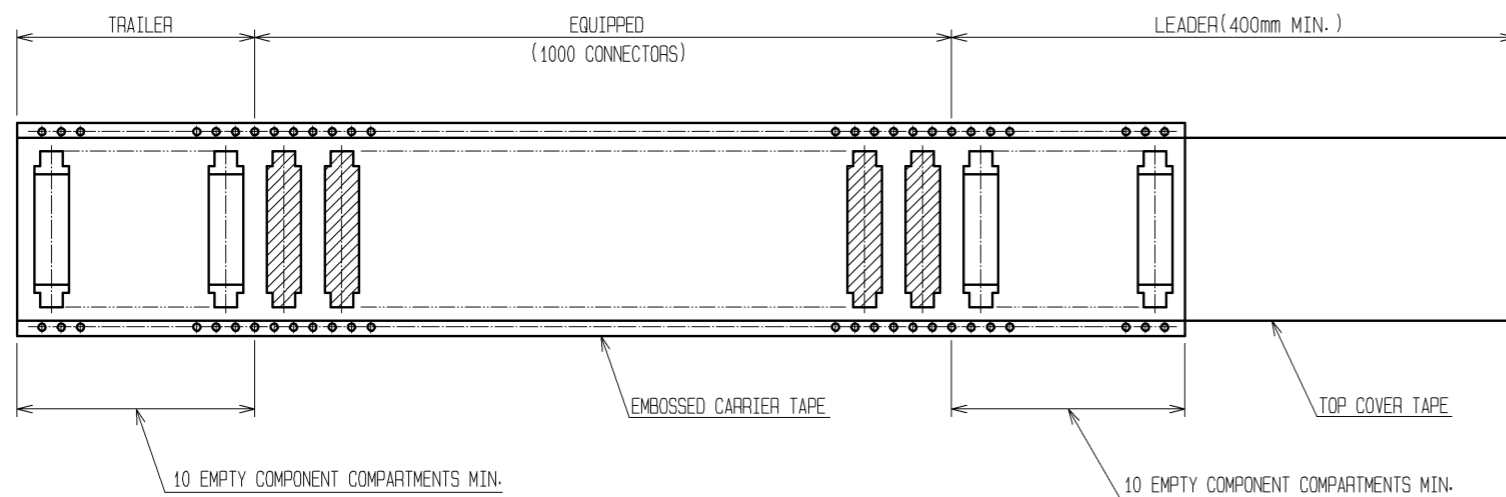
UNREELING DIRECTION



REEL DIMENSION (FREE)



DETAIL OF TAPE FOR VACUUM PICKUP (5:1)



- NOTE 1 1 REEL : 1000 CONNECTORS.  
 2 THE DIMENSIONS IN PARENTHESES ARE FOR REFERENCE.  
 3 REMOVE THE VACUUM PICKUP TAPE AFTER MOUNTING THE CONNECTOR.

|            |             |                    |
|------------|-------------|--------------------|
| <b>HRS</b> | DRAWING NO. | EDC3-084980-23     |
|            | PART NO.    | FX6-40S-0.8SV2(93) |
|            | CODE NO.    | CL576-0123-0-93    |
|            |             | △ 2/2              |