

MATERIALS AND FINISHES

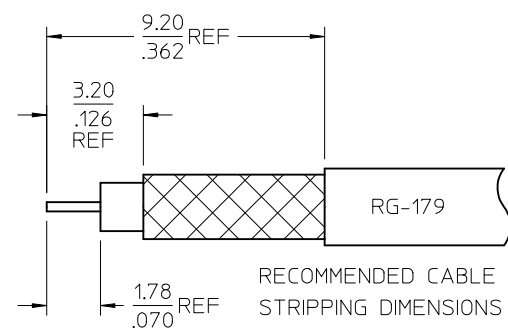
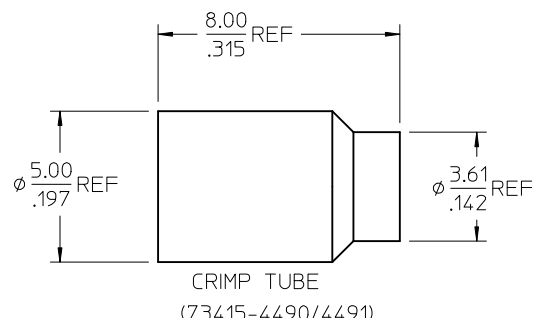
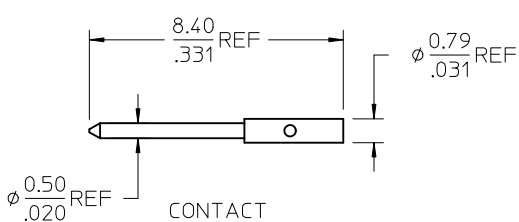
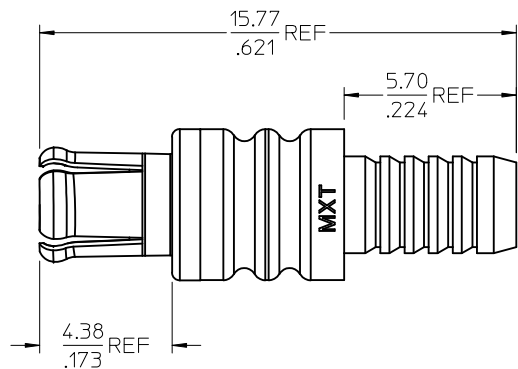
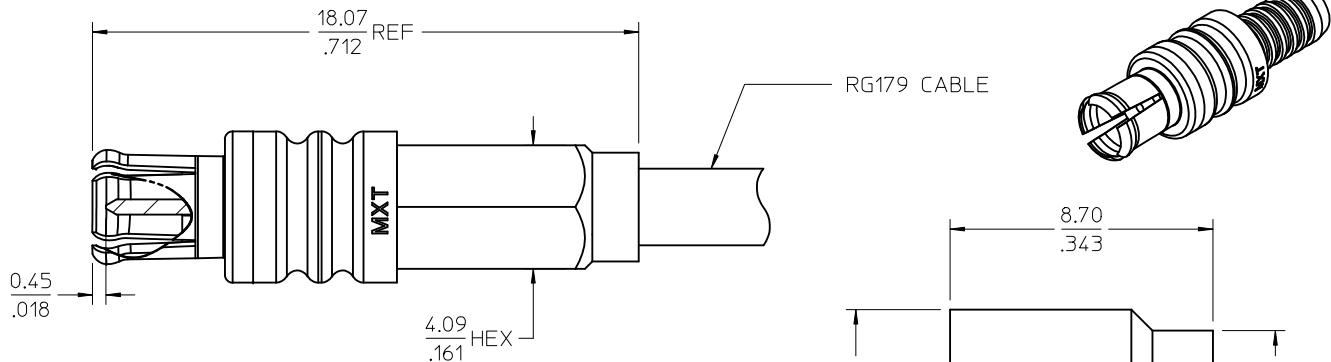
BODY: ZINC ALLOY  
PLATED (SEE TABLE)  
THICKNESS (SEE TABLE)

CENTER CONTACT: BRASS  
PLATED GOLD (THICKNESS SEE TABLE)

INSULATOR: TEFLON

OUTER CONTACT (OC): BERYLLIUM COPPER  
PLATED GOLD (THICKNESS SEE TABLE)

CRIMP TUBE: BRASS  
PLATED (SEE TABLE)  
THICKNESS (SEE TABLE)



73415-4492	BULK	70 μ" MIN NICKEL	30 μ" MIN	30 μ" MIN	70 μ" MIN NICKEL
73415-4491	ONE PER BAG	GOLD FLASH	10 μ" MIN	5 μ" MIN	10 μ" MIN GOLD
73415-4490	BULK	GOLD FLASH	10 μ" MIN	5 μ" MIN	10 μ" MIN GOLD
PART NO.	PACKAGING	BODY FINISH	CONTACT FINISH	OC FINISH	CRIMP TUBE FIN

<p>CHG: ADDED 73415-4492 &amp; PLATING THICKNESS.</p> <p>EC NO: URF2012-0640</p> <p>DRWIN:ROBERTSON 2012/04/27</p> <p>CHKD:SSS 2012/04/27</p> <p>APPR:JWIENER 2012/04/30</p> <p>REV</p>	<p>QUALITY SYMBOLS</p> <p>▽=0</p> <p>▽=0</p>	<p>GENERAL TOLERANCES (UNLESS SPECIFIED)</p> <table border="1"> <tr> <th></th> <th>mm</th> <th>INCH</th> </tr> <tr> <td>4 PLACES</td> <td>± .005</td> <td>± .0002</td> </tr> <tr> <td>3 PLACES</td> <td>± .005</td> <td>± .0002</td> </tr> <tr> <td>2 PLACES</td> <td>± .005</td> <td>± .0002</td> </tr> <tr> <td>1 PLACE</td> <td>± .005</td> <td>± .0002</td> </tr> </table> <p>ANGULAR ± 2 °</p>		mm	INCH	4 PLACES	± .005	± .0002	3 PLACES	± .005	± .0002	2 PLACES	± .005	± .0002	1 PLACE	± .005	± .0002	<p>DIMENSION STYLE</p> <p>MM/IN</p>	<p>SCALE</p> <p>DESIGN UNITS</p> <p>METRIC</p>	<p>THIRD ANGLE PROJECTION</p>
				mm	INCH															
			4 PLACES	± .005	± .0002															
			3 PLACES	± .005	± .0002															
2 PLACES	± .005	± .0002																		
1 PLACE	± .005	± .0002																		
<p>DRAFT WHERE APPLICABLE MUST REMAIN WITHIN DIMENSIONS</p>		<p>DRAWN BY</p> <p>TEF</p> <p>DATE</p> <p>2003/08/11</p>	<p>TITLE</p> <p>MCX PLUG STR FOR RG179</p> <p>75 OHMS</p> <p>MCX-PC EWR-2114</p>																	
<p>SIZE</p> <p>SEE TABLE</p>		<p>APPROVED BY</p> <p>GMH</p> <p>DATE</p> <p>2003/08/11</p>	<p>MOLEX INCORPORATED</p>																	
<p>THIS DRAWING CONTAINS INFORMATION THAT IS PROPRIETARY TO MOLEX INCORPORATED AND SHOULD NOT BE USED WITHOUT WRITTEN PERMISSION</p>		<p>MATERIAL NO.</p> <p>SD-73415-449</p>	<p>DOCUMENT NO.</p> <p>SD-73415-449</p>	<p>SHEET NO.</p> <p>1 OF 1</p>																