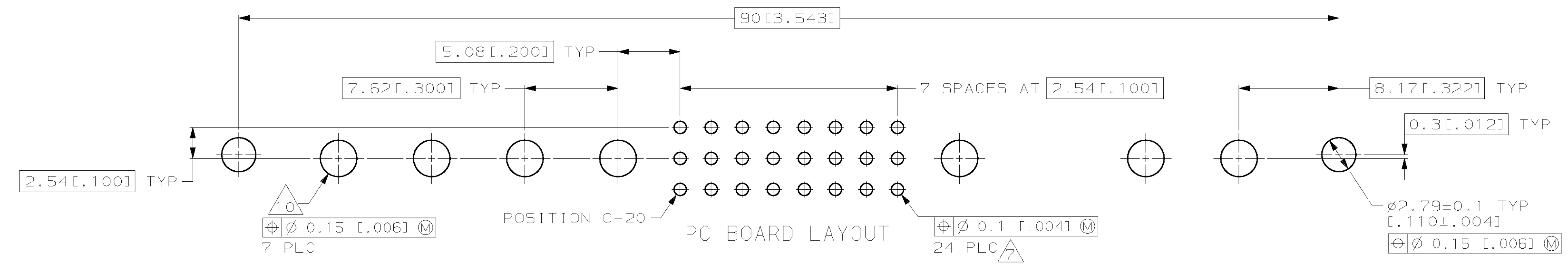
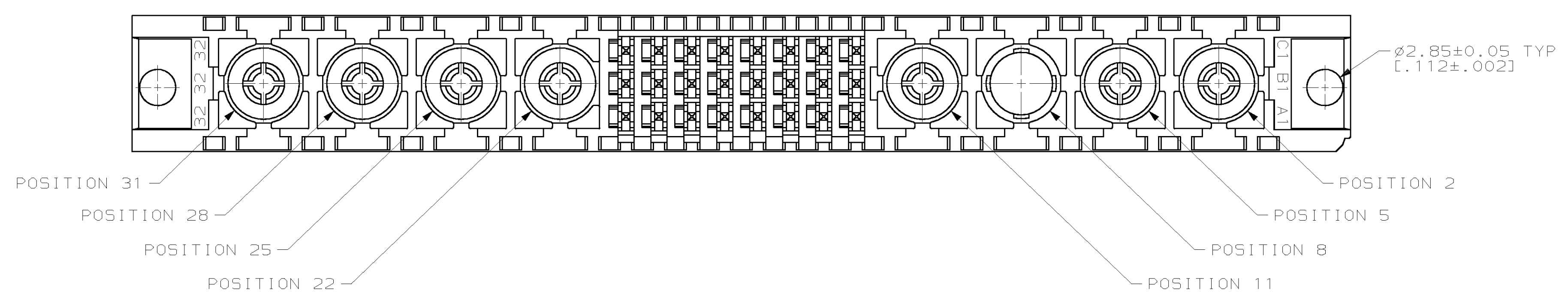
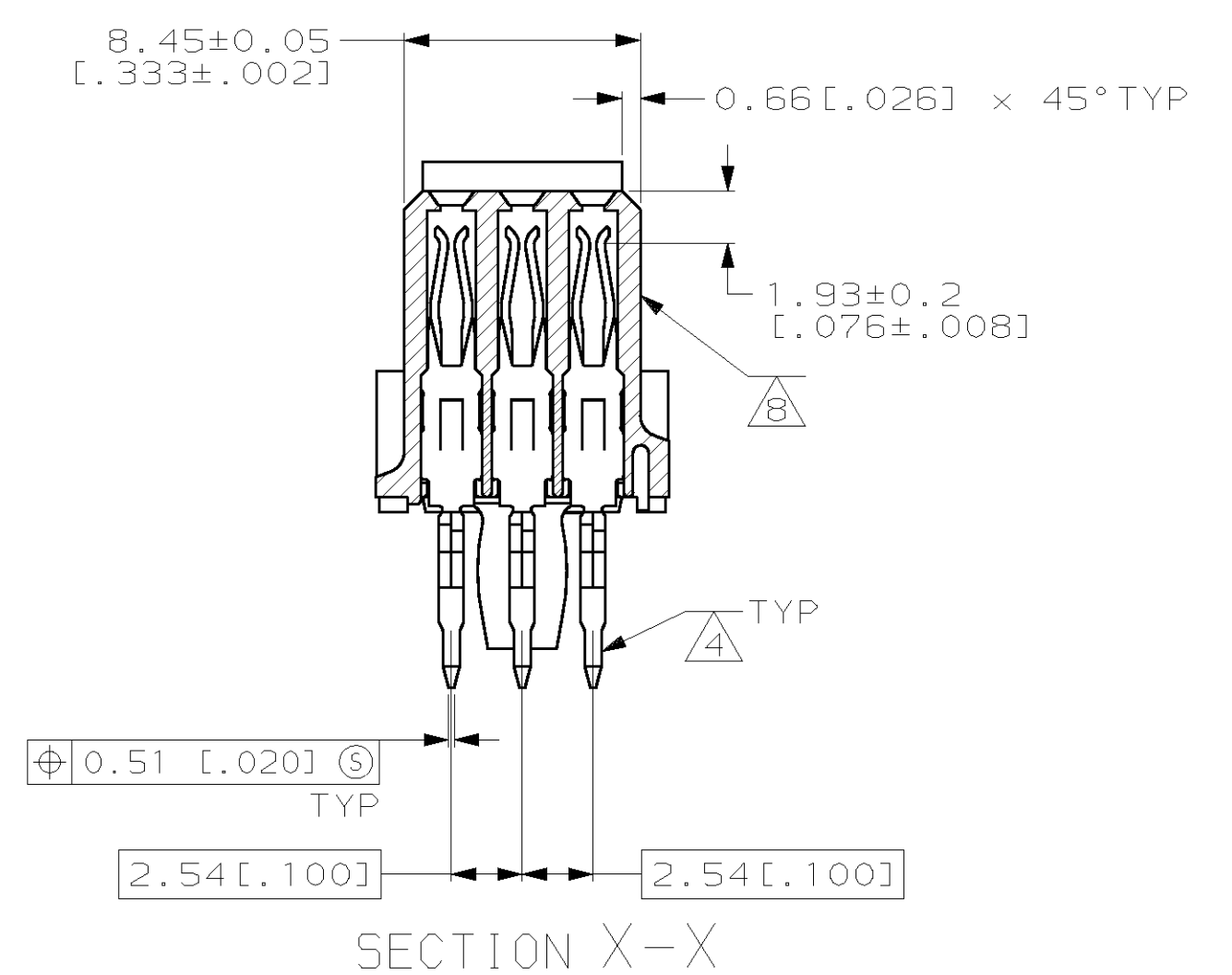
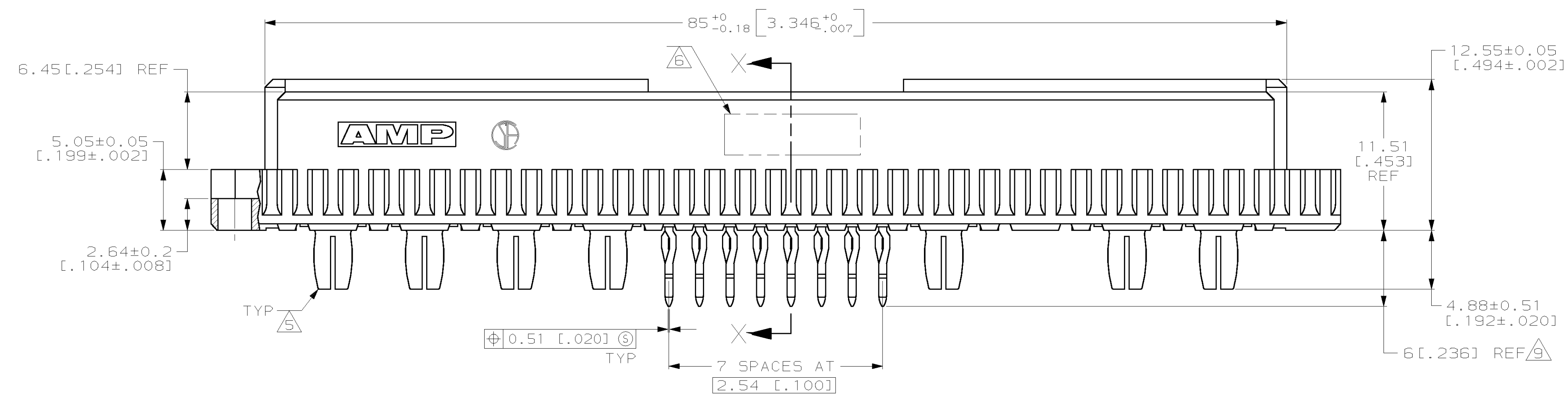
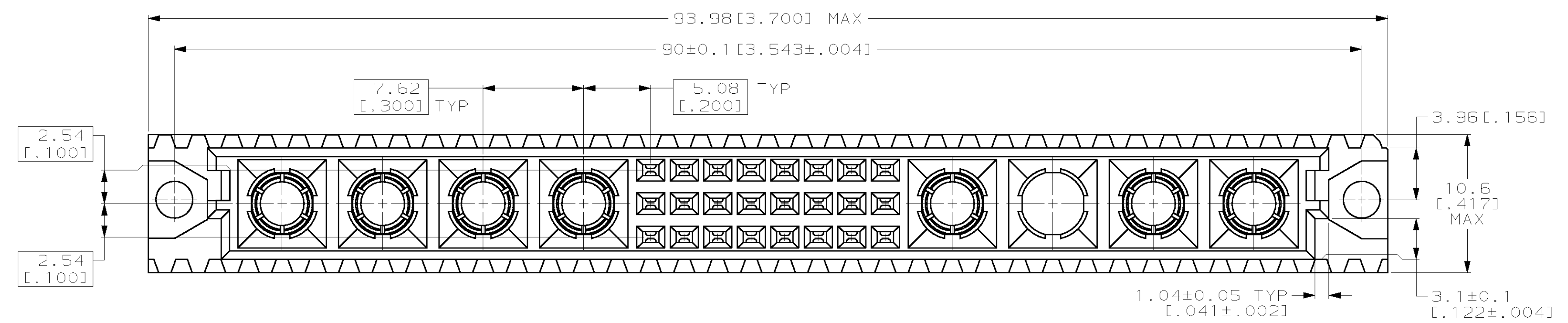


REVISONS		DATE	OWN	APVD
AD	25			
A	REV PER	OG20-0348-98	16 JAN 99	BH L5B
B	REV PER	EC OG21-80-99	06 APR 99	BC CR

- 1 HOUSING MATERIAL: GLASS-FILLED POLYESTER. COLOR: GRAY.
- 2 CONTACT MATERIAL: PHOSPHOR BRONZE.
- 3 POWER CONTACT MATERIAL: BERYLLIUM COPPER.
- 4 CONTACT FINISH: DIN 41612 CLASS 2 IN CONTACT AREA. TIN-LEAD PLATE ON POSTS.
- 5 POWER CONTACT FINISH: DIN 41612 CLASS 2 ALL OVER.
- 6 PART NUMBER AND DATE CODE HOT STAMPED IN THIS APPROXIMATE AREA.
- 7 ACTION PIN POSTS REQUIRE 2.36[.093] MINIMUM THICK PC BOARD. RECOMMENDED PC BOARD DRILLED HOLES ARE $\phi 1.15 \pm 0.025 [0.0453 \pm 0.0010]$ WITH 0.02-0.08[.001-.003] COPPER AND 0.008[.0003] MINIMUM TIN-LEAD PLATING. FINISHED HOLE AFTER PLATING IS $\phi 1.02 \pm 0.08 [0.40 \pm 0.003]$.
- 8 HOT STAMPING ON THIS SIDE.
- 9 TAIL LENGTH AFTER SEATING IN PC BOARD.
- 10 POWER CONTACTS REQUIRE $\phi 3.13 \pm 0.08 [1.23 \pm 0.003]$ DRILLED HOLE WITH 0.05 $\pm 0.25 [0.02 \pm 0.01]$ THICK COPPER AND 0.13[.005] MINIMUM TIN-LEAD PLATING. FINISHED HOLE SIZE IS $\phi 3.0 \pm 0.08 [1.18 \pm 0.003]$.



148497-5
PART NUMBER

THIS DRAWING IS A CONTROLLED DOCUMENT.		DWN L. BRINER	9/1/98	AMP AMP Incorporated Harrisburg, PA 17105-3608
DIMENSIONS mm (INCHES)		CHK R. PATTERSON	9/1/98	
TOLERANCES UNLESS OTHERWISE SPECIFIED.		APVD R. PATTERSON	9/1/98	NAME RECEPTACLE ASSEMBLY, EUROCARD, PRESS FIT, TYPE M, 24 + 8 POSITIONS
MATERIAL HSG: △ POWER CONT: △		FINISH CONT: △ POWER: △		SIZE A1
CUSTOMER DRAWING		SCALE 4:1		RESTRICTED TO 148497
		SHEET 1 OF 1		REV B