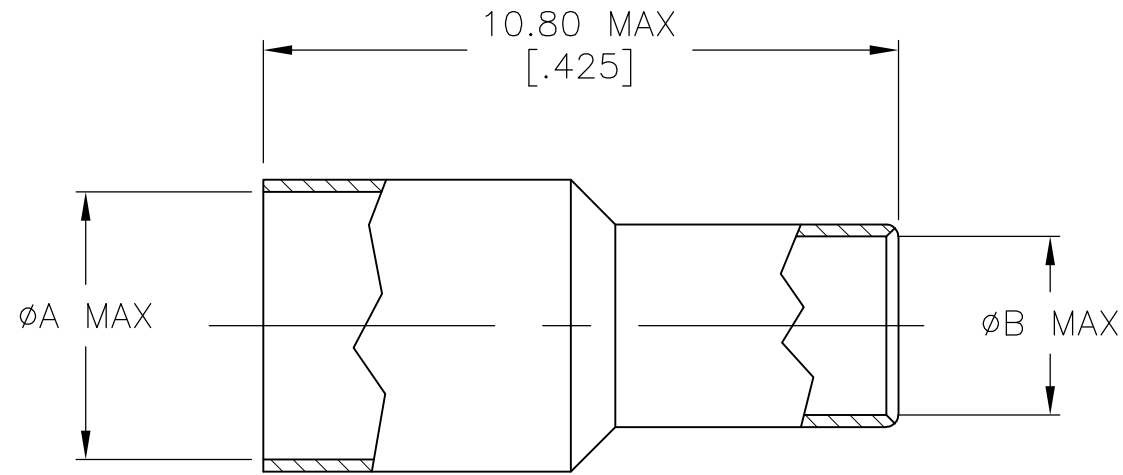


THIS DRAWING IS UNPUBLISHED. RELEASED FOR PUBLICATION
 © COPYRIGHT BY TYCO ELECTRONICS CORPORATION. ALL RIGHTS RESERVED.

| | | | | | | | |
|-----|------|-----------|-----|---------------------------|---------|-----|------|
| LOC | DIST | REVISIONS | | | | | |
| AJ | 00 | P | LTR | DESCRIPTION | DATE | DWN | APVD |
| | | | T3 | REVISED PER ECO-10-008433 | 20MAY10 | HMR | KW |



- 1 SILVER PLATE PER QQ-S-365
5.08 μm [.000200] MINIMUM THICK.
- 2 TIN-LEAD PLATE PER ASTM-B-545
2.54 μm [.000100] MINIMUM THICK,
WITH SUPPLEMENTAL ANTI FRETTING LUBRICANT.
- 3 GOLD PLATE PER MIL-G-45204
0.76 μm [.000030] MINIMUM THICK.
- 4 MATTE TIN PLATE PER ASTM-B-545
2.54 μm [.000100] MINIMUM THICK,
WITH SUPPLEMENTAL ANTI FRETTING LUBRICANT.
- 5 BRIGHT TIN PLATE PER ASTM-B-545
2.54 μm [.000100] MINIMUM THICK,
WITH SUPPLEMENTAL ANTI FRETTING LUBRICANT.

| | | | | | |
|------|--------|------|--------|--------|-------------|
| 3.05 | [.120] | 4.55 | [.179] | 5 | 9-328666-4 |
| 3.05 | [.120] | 3.86 | [.152] | 1 | 9-328666-3 |
| 3.73 | [.147] | 4.55 | [.179] | 4 | 9-328666-2 |
| 3.05 | [.120] | 3.86 | [.152] | 4 | 9-328666-1 |
| 3.05 | [.120] | 4.55 | [.179] | 4 | 9-328666-0 |
| 3.40 | [.134] | 4.55 | [.179] | 2 | 3-328666-9 |
| 5.03 | [.198] | 5.51 | [.217] | 2 | 3-328666-6 |
| 3.73 | [.147] | 4.55 | [.179] | 2 | 3-328666-3 |
| 3.05 | [.120] | 3.86 | [.152] | 2 | 2-328666-7 |
| 3.05 | [.120] | 4.55 | [.179] | 3 | 2-328666-6 |
| 3.05 | [.120] | 4.55 | [.179] | 2 | 2-328666-5 |
| 3.05 | [.120] | 4.55 | [.179] | 1 | 2-328666-3 |
| 3.05 | [.120] | 3.86 | [.152] | 1 | 328666 |
| B | | A | | FINISH | PART NUMBER |

| | | | | | |
|---|-----------|------------------|------------|---------------|---|
| THIS DRAWING IS A CONTROLLED DOCUMENT. | | DWN | J. LIPPERT | 28MAR01 | Tyco Electronics Corporation Harrisburg, PA 17105-3608 |
| DIMENSIONS: mm [INCHES] | | CHK | R.E.RUTH | 7/27/90 | |
| TOLERANCES UNLESS OTHERWISE SPECIFIED: | | APVD | M. SNEED | 7/27/90 | NAME |
| | | PRODUCT SPEC | | FERRULE | |
| 0 PLC ± - 1 PLC ± - 2 PLC ± - 3 PLC ± - 4 PLC ± - ANGLES ± - | | APPLICATION SPEC | | SIZE | CAGE CODE |
| MATERIAL | FINISH | WEIGHT | | DRAWING NO | |
| COPPER ALLOY | SEE TABLE | - | | A3 | 00779 |
| CUSTOMER DRAWING | | | | RESTRICTED TO | - |
| SCALE | | | | 1:1 | SHEET |
| | | | | 1 | OF 1 |
| | | | | REV | T3 |