

## SUMMARY



*Image is for illustrative purpose only*

### # Wires

Low	2
High	0
Coax	0
Triax	0
Quad	0
Fiber	0
Fluidic	0

### Download

[Request a quote](#)

[Catalog](#)

### Series

Termination type	Female solder
IP rating	50
Cable Ø	0.00 - 0.00 mm
Matching parts	PAG.M0.2TL.AC65N
Status	
Alternative part	

## TECHNICAL DETAILS

### Mechanics

Shell Style/Model	PK*:
Keying	1 key (alpha=0; Plug: male contact; Receptacle: female contact)
Housing Material	PEI (Polyetherimide), gray
Cable Fixing	∅ 0 - 0 mm
Variant	N : Black front nut

### Performance

Configuration	1P.M02 : 2 Low Voltage
Insulator	
Rated Current	10 Amps

### Specifications

Contact Type:	Solder
Max. Matings:	2000
Contact Dia.:	1.3 mm (0.0512in)
Bucket Dia.:	1.1 mm (0.04in)
Max. Solid Conductor:	0.5 mm <sup>2</sup> (AWG 20)
Max. Stranded Conductor:	0.5 mm <sup>2</sup> (AWG 20)

R (max): 3.5 mOhm  
Test voltage (kV rms) Contact-contact: 1.2  
Air clearance min. (mm) or Creepage distance min. (mm): 1.3

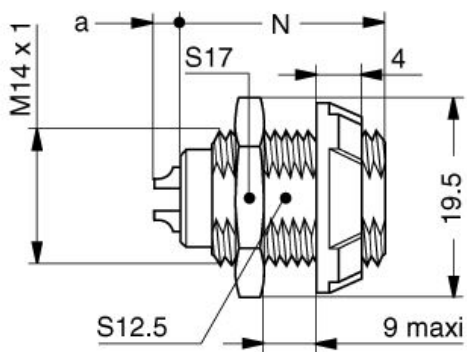
## Others

F ret (min): 50 N  
F ret (max): 150 N  
IP Rating: 50

---

# DRAWINGS

## Draws



## Dimensions

	A	Lmax	N
mm.	19.5	25	20.5
in.	0,77	0,98	0,81

---

# RECOMMENDED BY LEMO

## Tools

None

## Cables