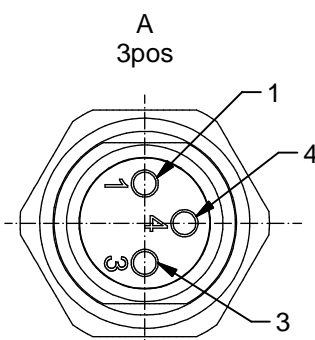
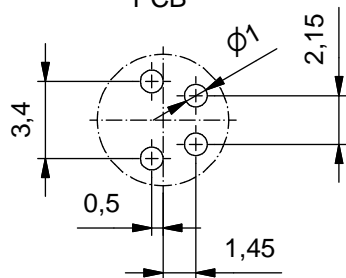
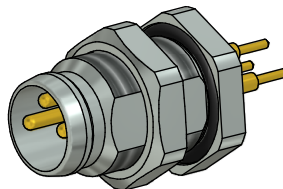
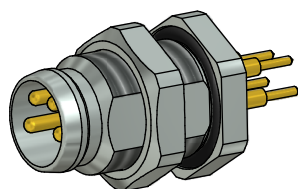
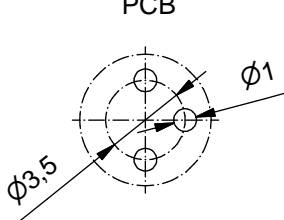


Pin layout PCB



Pin layout PCB



**Technical specification:**

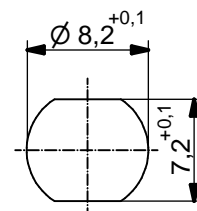
Rated voltage: IEC 61076-2-104	3pos 4pos 60 V 30 V
Current rating: IEC 61076-2-104	3/4pos 3 A at 40°C
Insulation resistance: IEC 60512	>=100 MΩ
Pollution degree: IEC 60664-1	3/2
Degree of protection: IEC 60529	IP 67, in mated condition
Temperature range:	-30°C ... +80°C
Mating cycles: IEC 60512-9a	>=100

**Materials:**

Contact:	CuZn
Contact plating:	Nickel, gold plated
Contact carrier:	PA , UL 94, black
Sealing:	NBR
Counternut:	CuZn, nickel plated
Socket housing:	CuZn, nickel plated
Grouting:	Polyurethane-resin, UL 94

**Installation specification:**

Recommended torque:	0,6-0,8 Nm
Conec installation tool:	Torque wrench: 36-000200 Insert across flats 10: 36-000270



Minimum wall thickness 1,5mm, alternativ panel cut-out d=8,2

Part-No.:	Description:	Pos	Length L:
42-01108	SAL - 8 - FSH4 - P5,5	4	5,5mm
42-01107	SAL - 8 - FSH3 - P5,5	3	

DO NOT ALTER CAD DRAWING BY HAND  
Directive 2002/95/EC RoHS compliant

general tolerance:	0 ± 0,50mm 0,0 ± 0,25mm 0,00 ± 0,10mm
THIS DRAWING MAY NOT BE COPIED OR REPRODUCED IN ANY WAY, AND MAY NOT BE PASSED ON TO A THIRD PARTY WITHOUT WRITTEN PERMISSION. OWNERSHIP AND COPYRIGHT OF CONEC GmbH	

dim. in mm

date	name
drawn 17.10.12	Christen
appd. 18.10.12	Mankopf

**CONEC**®

title: <b>Male socket M8x1 with dip solder, backmounting</b>
dwg no: <b>42K1A404</b>
part no: