

DESIGNED & DIMENSIONED
IN MILLIMETERS [INCHES]

DO NOT
SCALE FROM
THIS PRINT

BNC7T-J-P-XX-ST-EM2

- GENDER
-J: JACK
- TYPE
-P: PCB
- TERMINATION
-EM2: EDGE MOUNT (FOR 2.29 [0.090] THICK PCB)
- ORIENTATION
-ST: STRAIGHT
- PLATING SPECIFICATION
 - HN: HEAVY GOLD/NICKEL (SEE NOTES 5 & 6)
(SUB-BNC7T-J-P-HN-ST-EM2)
(BTNC-NUT-003-N)
(BTNC-LWAS-001-N)
 - *-MN: MEDIUM GOLD/NICKEL (SEE NOTES 5 & 6)
(SUB-BNC7T-J-P-GN-ST-EM2)
(BTNC-NUT-003-N)
(BTNC-LWAS-001-N)
 - GN: GOLD/NICKEL (SEE NOTES 5 & 6)
(SUB-BNC7T-J-P-GN-ST-EM2)
(BTNC-NUT-003-N)
(BTNC-LWAS-001-N)

*= FOR EXISTING CUSTOMERS ONLY

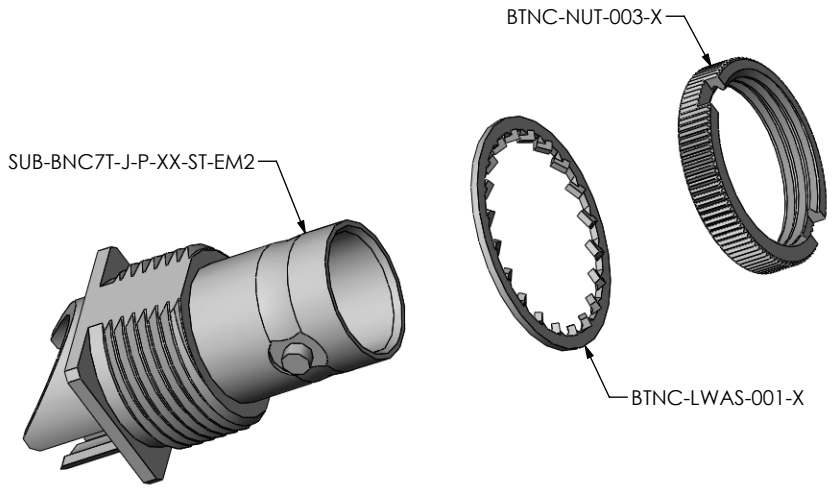
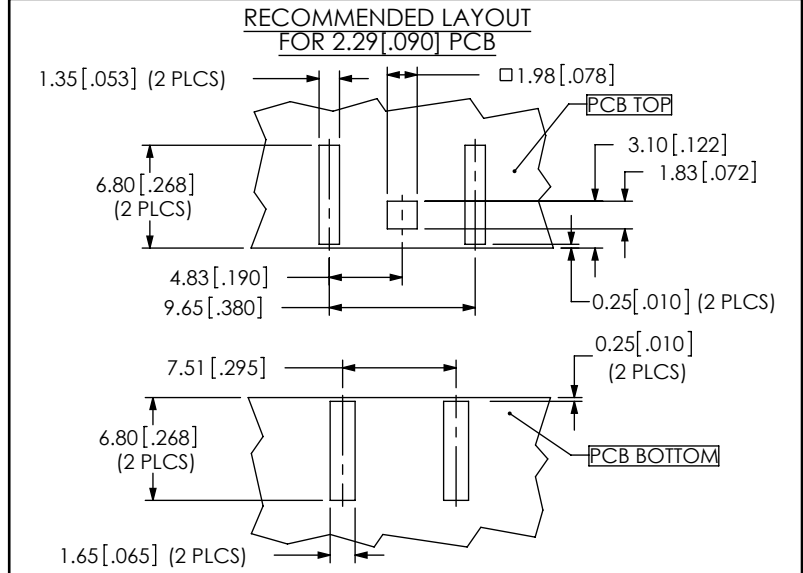
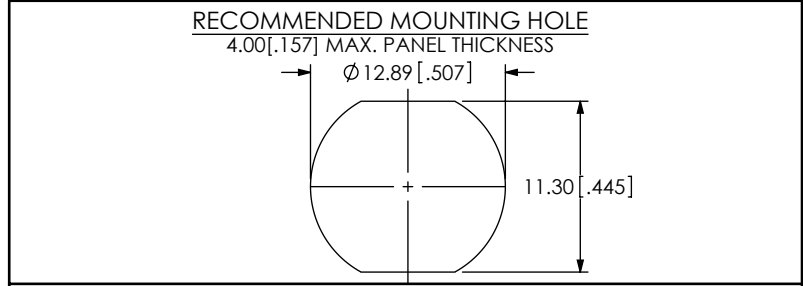


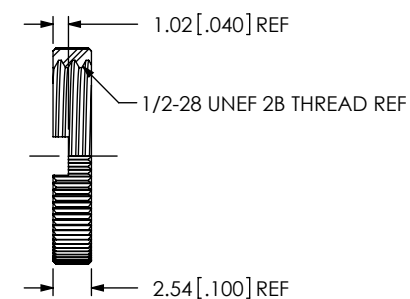
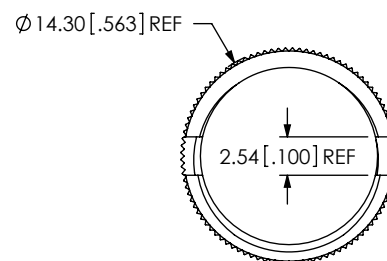
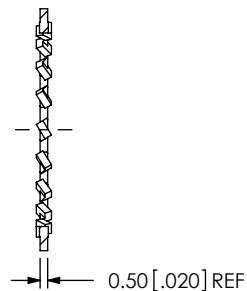
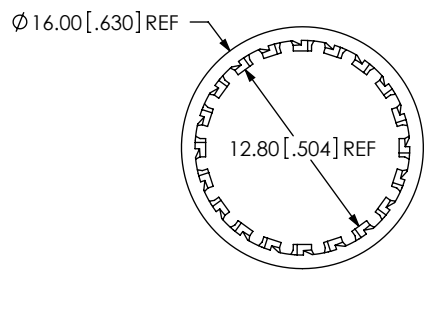
FIG 1
BNC7T-J-P-XX-ST-EM2 SHOWN



- NOTES:
1. REPRESENTS A CRITICAL DIMENSION.
 2. FABRICATED PARTS MUST BE FREE OF SCRATCHES, TOOL MARKS, ETC.
 3. SUPPLIER TO REMOVE BURRS.
 4. ROHS COMPLIANT.
 5. COMPONENT PLATING DESIGNATIONS:
 - H: 0.000030" MIN. GOLD OVER 0.000050" MIN. NICKEL.
 - G: 0.000010" MIN. GOLD OVER 0.000050" MIN. NICKEL.
 - N: 0.000100" MIN. NICKEL.
 6. ASSEMBLY PLATING DESIGNATIONS:
 - HN: (CENTER CONTACT)-H
(OUTER CONTACT) -N
(REMAINING METAL PARTS) -N
 - MN, -GN: (CENTER CONTACT)-G
(OUTER CONTACT) -N
(REMAINING METAL PARTS) -N
 7. NOTE DELETED
 8. FINISHED ASSEMBLIES TO BE PACKAGED PER PACKAGING STANDARDS CO-RF-WI-3040-M.

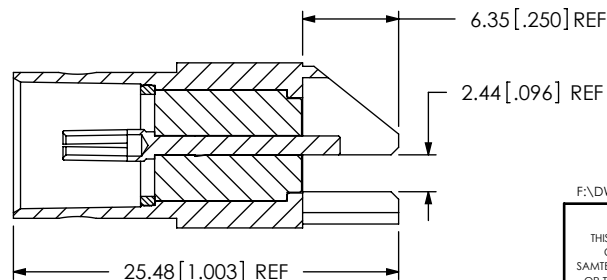
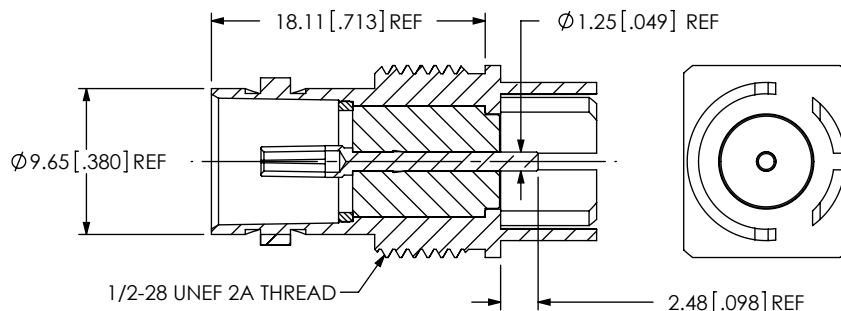
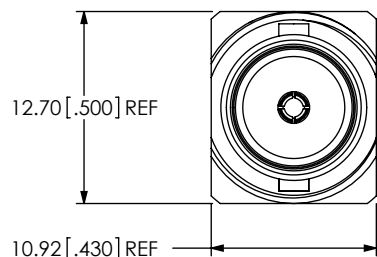
| | | | |
|---|---|--|--|
| UNLESS OTHERWISE SPECIFIED, DIMENSIONS ARE IN MILLIMETERS. TOLERANCES ARE: DECIMALS ANGLES .X: ±0.3 [0.1] 2° .XX: ±0.13 [0.05] .XXX: ±0.051 [0.020] | PROPRIETARY NOTE THIS DOCUMENT CONTAINS INFORMATION CONFIDENTIAL AND PROPRIETARY TO SAMTEC, INC. AND SHALL NOT BE REPRODUCED OR TRANSFERRED TO OTHER DOCUMENTS OR DISCLOSED TO OTHERS OR USED FOR ANY PURPOSE OTHER THAN THAT WHICH IT WAS OBTAINED WITHOUT THE EXPRESSED WRITTEN CONSENT OF SAMTEC, INC. | 520 PARK EAST BLVD, NEW ALBANY, IN 47150 PHONE: 812-944-6733 FAX: 812-948-5047 e-Mail: info@SAMTEC.com code: 55322 | |
| | DO NOT SCALE DRAWING SHEET SCALE: 2:1 | | DESCRIPTION: BNC7T EDGE MOUNT STRAIGHT JACK |
| | DWG. NO. BNC7T-J-P-XX-ST-EM2 | | BY: G.HERMAN 09-09-2010 SHEET 1 OF 2 |

REVISION F




| SAMTEC PART NUMBER | ITEM |
|--------------------|------------|
| BTNC-LWAS-001-X | LOCKWASHER |

| SAMTEC PART NUMBER | ITEM |
|--------------------|-------------|
| BTNC-NUT-003-X | KNURLED NUT |



| SAMTEC PART NUMBER | ITEM |
|-------------------------|--------------|
| SUB-BNC7T-J-P-XX-ST-EM2 | SUB ASSEMBLY |

F:\DWG\MISC\MKTG\BNC7T-J-P-XX-ST-EM2-MKT.SLDDRW

| | | |
|---|---|--------------|
| <p>PROPRIETARY NOTE THIS DOCUMENT CONTAINS INFORMATION CONFIDENTIAL AND PROPRIETARY TO SAMTEC, INC. AND SHALL NOT BE REPRODUCED OR TRANSFERRED TO OTHER DOCUMENTS OR DISCLOSED TO OTHERS OR USED FOR ANY PURPOSE OTHER THAN THAT WHICH IT WAS OBTAINED WITHOUT THE EXPRESSED WRITTEN CONSENT OF SAMTEC, INC.</p> |  520 PARK EAST BLVD, NEW ALBANY, IN 47150 PHONE: 812-944-6733 FAX: 812-948-5047 e-Mail: info@SAMTEC.com code: 55322 | |
| | DESCRIPTION: BNC7T EDGE MOUNT STRAIGHT JACK | |
| | DWG. NO. BNC7T-J-P-XX-ST-EM2 | |
| DO NOT SCALE DRAWING SHEET SCALE: 2:1 | BY: G.HERMAN 09-09-2010 | SHEET 2 OF 2 |