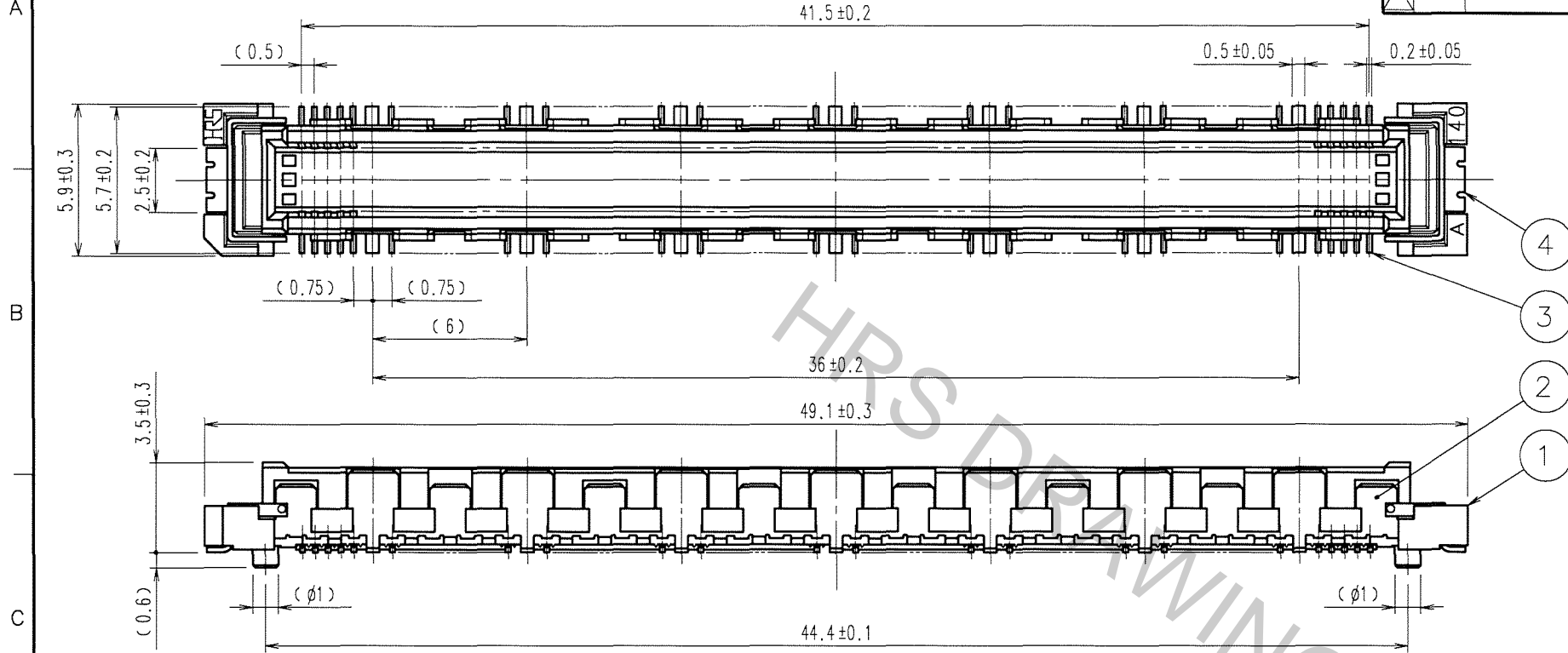
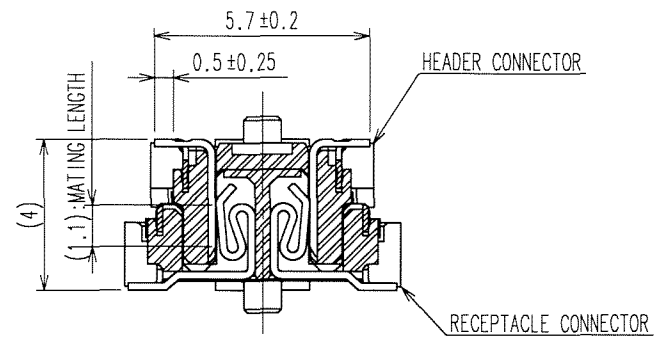


Apr.1.2017 Copyright 2017 HIROSE ELECTRIC CO., LTD. All Rights Reserved.

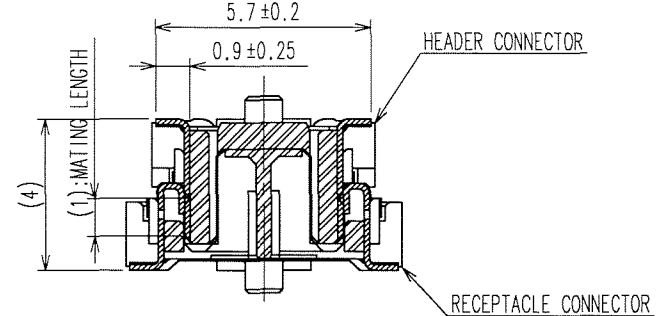
COUNT	DESCRIPTION OF REVISIONS	BY	CHKD	DATE	COUNT	DESCRIPTION OF REVISIONS	BY	CHKD	DATE



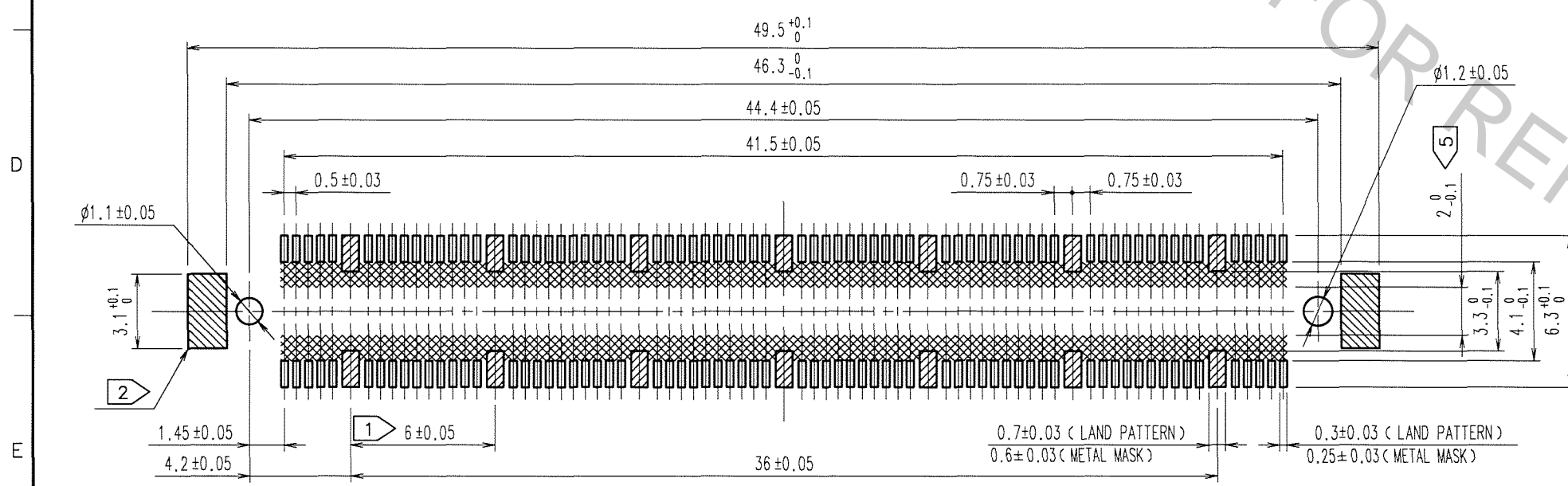
CROSS CUT SECTION - SIGNAL (5 : 1)



CROSS CUT SECTION - GROUND (5 : 1)



RECOMMENDED LAND PATTERN DIMENSION OF PCB



- NOTES
- ① 14 HATCHED PARTS:GROUND CIRCUIT.
  - ② 2 HATCHED PARTS:GROUND CIRCUIT.
  - 3 SMT LEAD-COPLANARITY:0.1 MAX.
  - 4 THIS PRODUCT HAS NO POLARITY TO PATTERN FOR MOUNTING.
  - ⑤ MAKE SURE WIDTH OF PATTERN IS WITHIN THAT OF LAND,OR LEAD MAY TOUCH PATTERN.(THIS APPLIES TO HATCHED AREA.)
  - 6 THE DIMENSIONS IN PARENTHESES ARE FOR REFERENCE.

2	PHOSPHOR BRONZE	TIN-PLATING	4	PHOSPHOR BRONZE	TIN-PLATING
1	LCP	BEIGE UL94V-0	3	PHOSPHOR BRONZE	CONTACT AREA : GOLD 0.1μm min. LEAD AREA : TIN-PLATING 1μm min. UNDER PLATING : NICKEL 1μm min.
NO.	MATERIAL	FINISH, REMARKS	NO.	MATERIAL	FINISH, REMARKS

CODE NO. (OLD) CL	DRAWN A.SUZUKAWA 06.12.01	DESIGNED <i>Nakamura</i> 06.12.01	CHECKED <i>Ogawa</i> 06.12.04	APPROVED <i>H. Kawa</i> 06.12.04	RELEASED .
SCALE 4 : 1	DRAWING NO. EDC3-151947-25	PART NO. FX10A-140P/12-SV(71)		CODE NO. CL570-0004-3-71	
UNITS mm	<b>HRS</b> HIROSE ELECTRIC CO., LTD		1/1		

TO
PCK