

THIS DRAWING IS UNPUBLISHED. RELEASED FOR PUBLICATION SEP, 2005.

© COPYRIGHT 2005 BY TYCO ELECTRONICS CORPORATION. ALL RIGHTS RESERVED.

LOC	DIST	REVISIONS			
P	LTR	DESCRIPTION	DATE	DWN	APVD
E	B	C	ECR-05-011509	21SEP05	JMS FWK

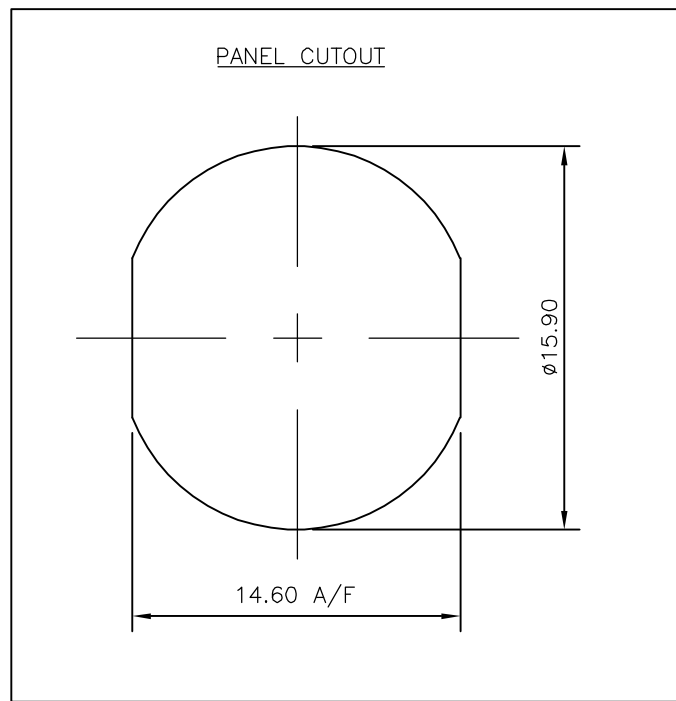
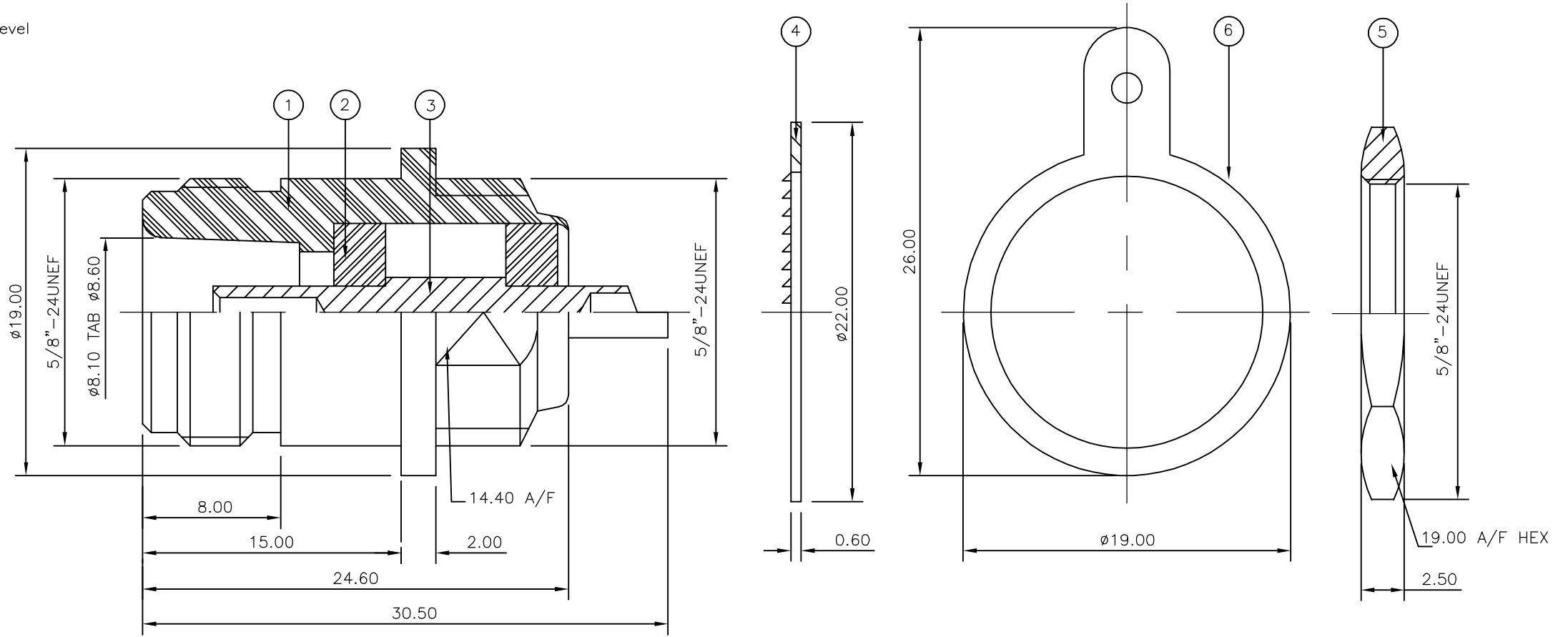
NOTES:

- 1 PACK IN ACCORDANCE WITH AMP SPEC 107-3275
- 2 100 TRAY PACK IN ACCORDANCE WITH AMP SPEC 107-3275
- 3 Ag PLATING
- 4. ELECTRICAL CHARACTERISTICS
 

FREQUENCY RANGE:	DC - 11 GHz
NOMINAL IMPEDANCE:	50 Ohm
INSULATION RESISTANCE:	5000 MOhm
WORKING VOLTAGE:	1000 Volts RMS at Sea Level
DIELECTRIC WITHSTAND VOLTAGE:	2500 Volts RMS Max
CONTACT RESISTANCE:	
CENTRE CONTACT:	1.00 mOhm Max
OUTER CONTACT:	1.00 mOhm Max
VSWR @ xGHz:	N/A
INSERTION LOSS xdb:	N/A
- 5. MECHANICAL CHARACTERISTICS
 

MOUNT NUT RECOMMENDED TORQUE:	6N
DURABILITY:	500 Cycles Min
- 6. ENVIRONMENTAL CHARACTERISTICS
 

OPERATING TEMPERATURE:	-65 to +165 DegC
------------------------	------------------



QTY	DESCRIPTION	MATERIAL	ITEM
1	SOLDER TAG	BRASS	6
1	HEX NUT	BRASS	5
1	WASHER	BRASS	4
1	CONTACT	BRASS	3
2	INSULATION	PTFE	2
1	BODY	BRASS	1
6--0	1--0	MATERIAL	DESCRIPTION
QUANTITY PER ASSY		PARTS LIST	

THIS DRAWING IS A CONTROLLED DOCUMENT.		DWN J.SANDWELL 21SEP05	<b>tyco</b> Tyco Electronics Corporation Bideford EX39 4HE
DIMENSIONS: mm		CHK S.PARLOW 21SEP05	
TOLERANCES UNLESS OTHERWISE SPECIFIED:		APVD F.WHEELER-KING 21SEP05	NAME TYPE-N BULKHEAD SOCKET FRONT MOUNT 50 OHM
0 PLC ± -		PRODUCT SPEC 108-3435	
1 PLC ± -		APPLICATION SPEC	SIZE CAGE CODE DRAWING NO RESTRICTED TO
2 PLC ± -		WEIGHT -	A3 00779 C-1337417
3 PLC ± -		CUSTOMER DRAWING	SCALE NTS SHEET 1 OF 1 REV C
4 PLC ± -			
ANGLES ± -			
FINISH SEE TABLE			