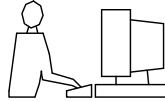
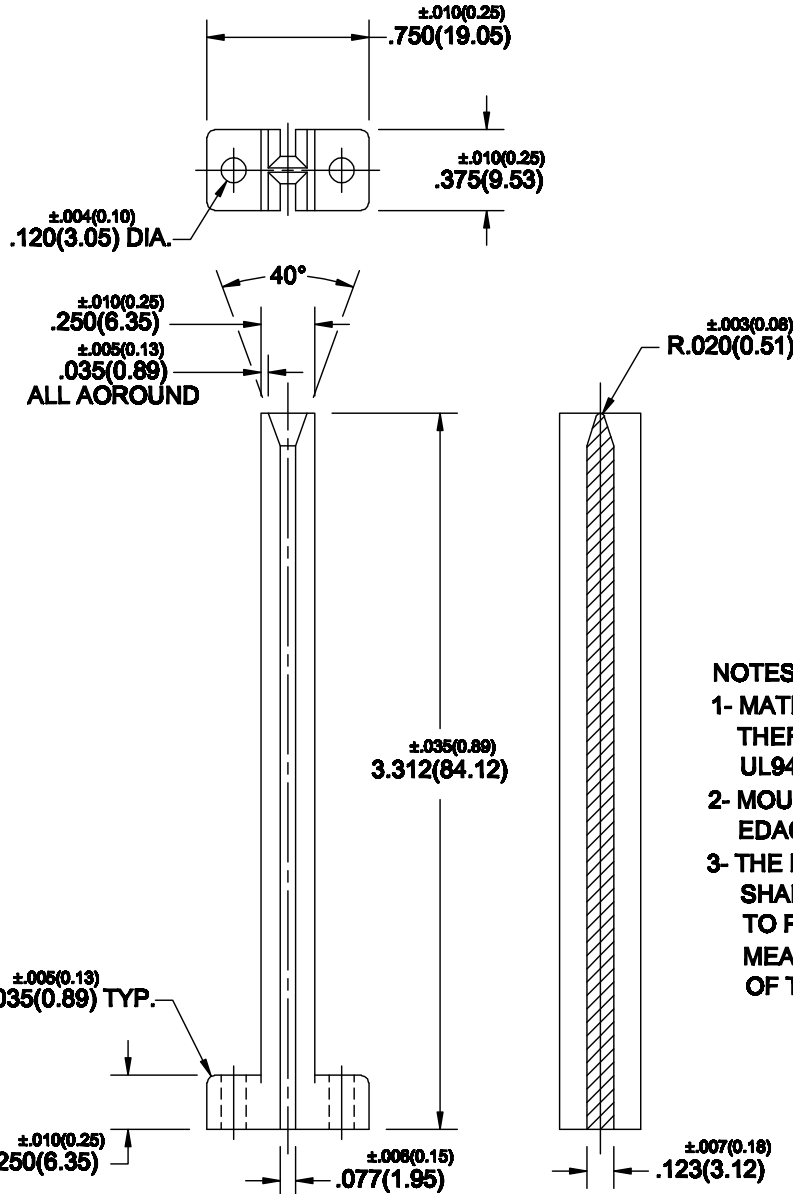


THIS IS A C.A.D. GENERATED DRAWING  
DO NOT MAKE MANUAL REVISIONS TO MASTER.



\* UNLESS OTHERWISE SPECIFIED TOLERANCES  
ON DECIMAL IS:  
FRACTION ± 1/32  
2 PLACE ± .01  
3 PLACE ± .010  
4 PLACE ± .0001  
5 PLACE ± .000050  
6 PLACE ± .000020

ISSUE NUMBER	
ORIGINAL	①
RE-DWG. F.BRIONES NOV. 21/14	⑨



**NOTES:**  
1- MATERIAL: ENGINEERING APPROVAL THERMOPLASTIC POLYESTER 30% G/F UL94V-0 GREEN COLOR  
2- MOULDED PART SHALL CONFORM TO EDAC SPEC. 110-0211  
3- THE PART, WHEN SCREWED TO A FLAT SHALL BE PERPENDICULAR (RELATIVE TO PLATE) WITHIN .030(0.76) AS MEASURED OVER THE FULL HEIGHT OF THE PART

**CARD GUIDE**

ACAD REFERENCE NO.	368-220-301
DRAWN: F.BRIONES	DATE: NOV. 21/14
CHECKED:	DATE: CHECKED:
SCALE: 1:1 IN C.A.D	SHEET 1 OF 1
DRAWING AND PART NUMBER <b>368-220-301</b>	ISSUE <b>9</b>