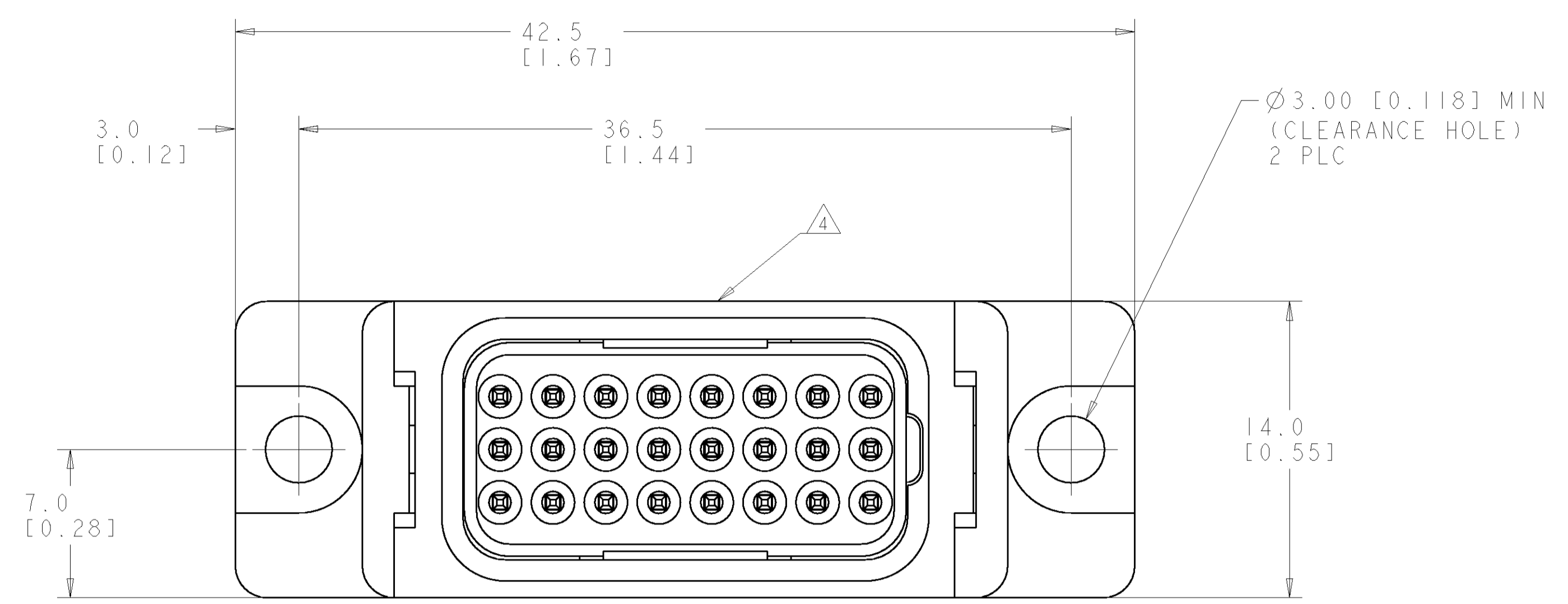


LOC		DIST		REVISIONS			
GP	00	P	LTR	DESCRIPTION	DATE	DWN	APVD
		B		RELEASED	25JUL2006	RG	DO



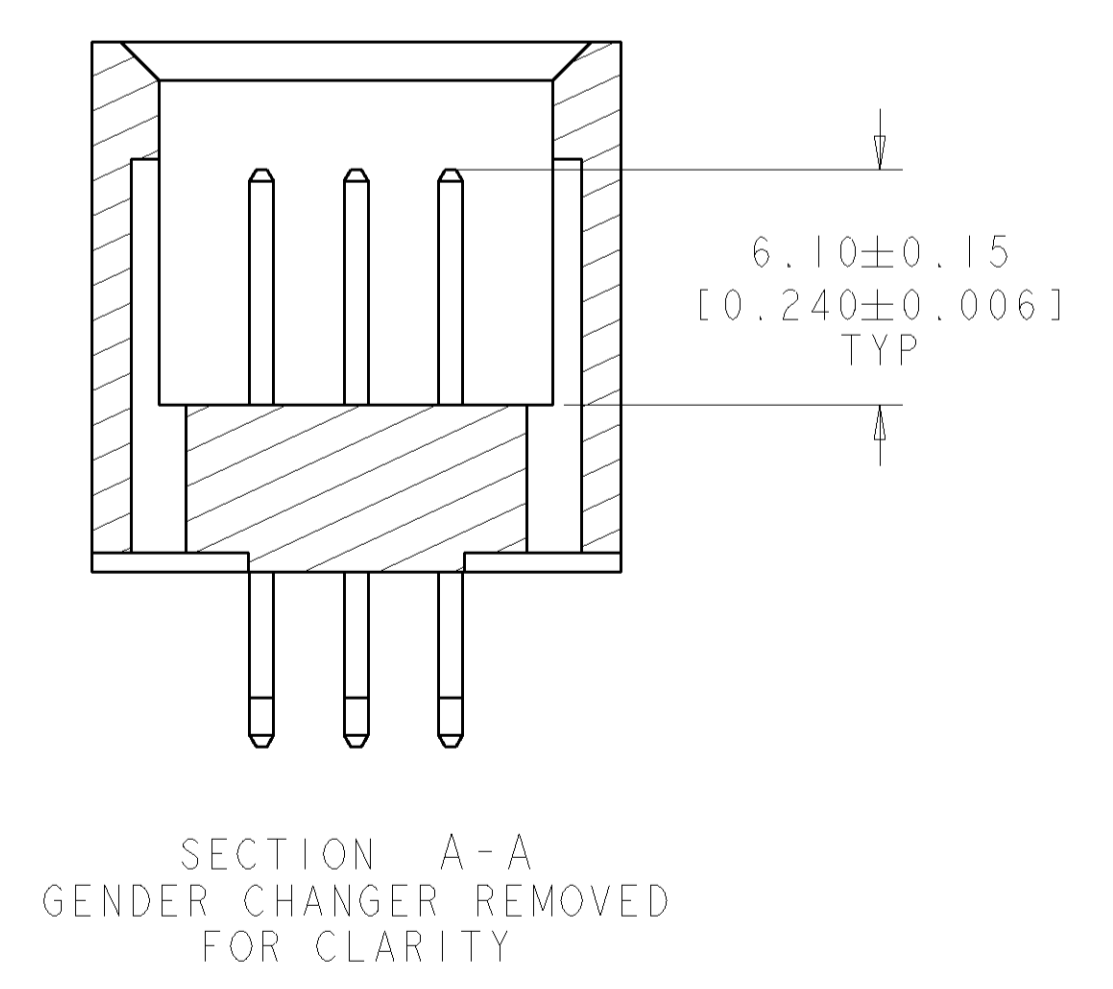
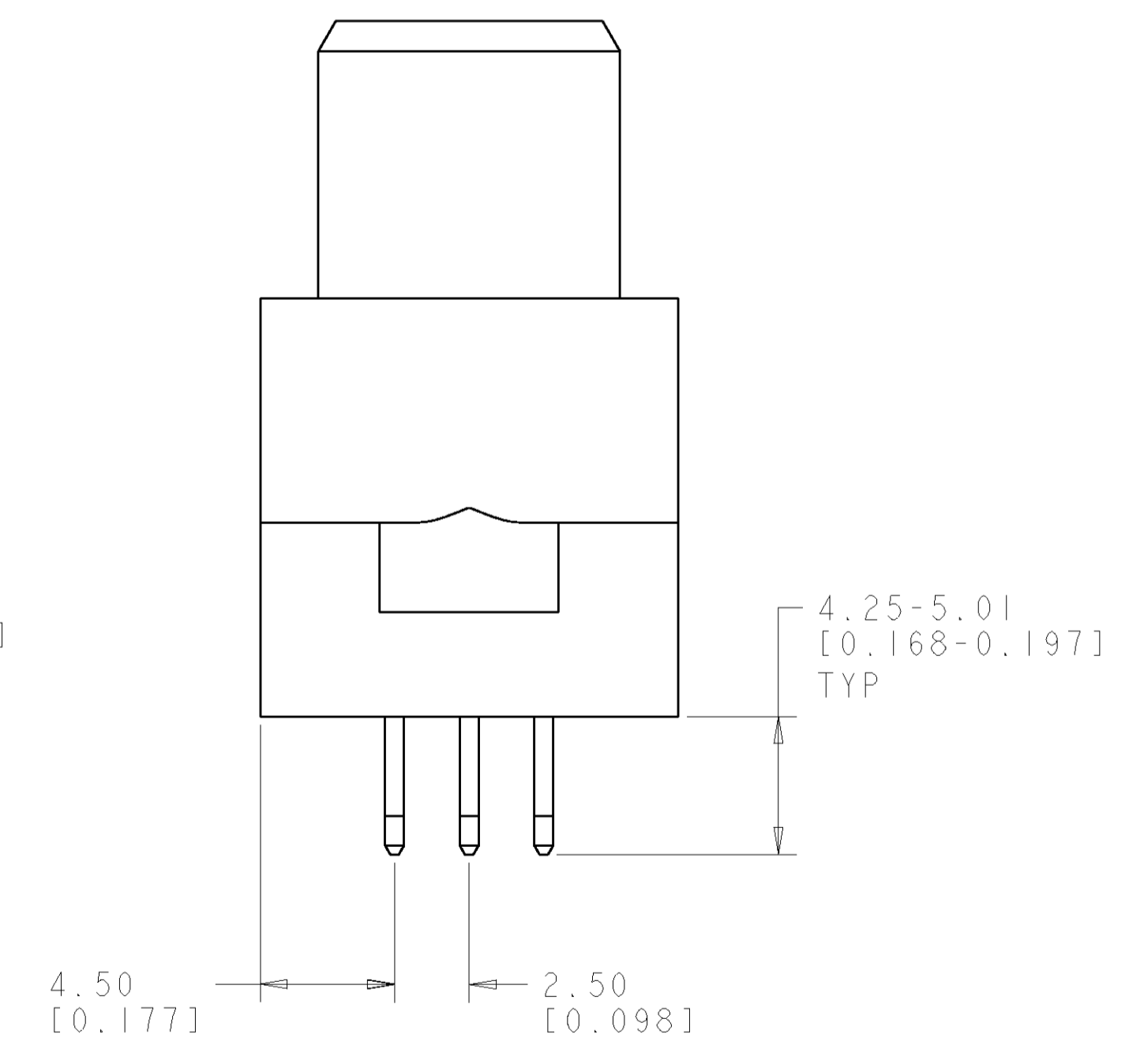
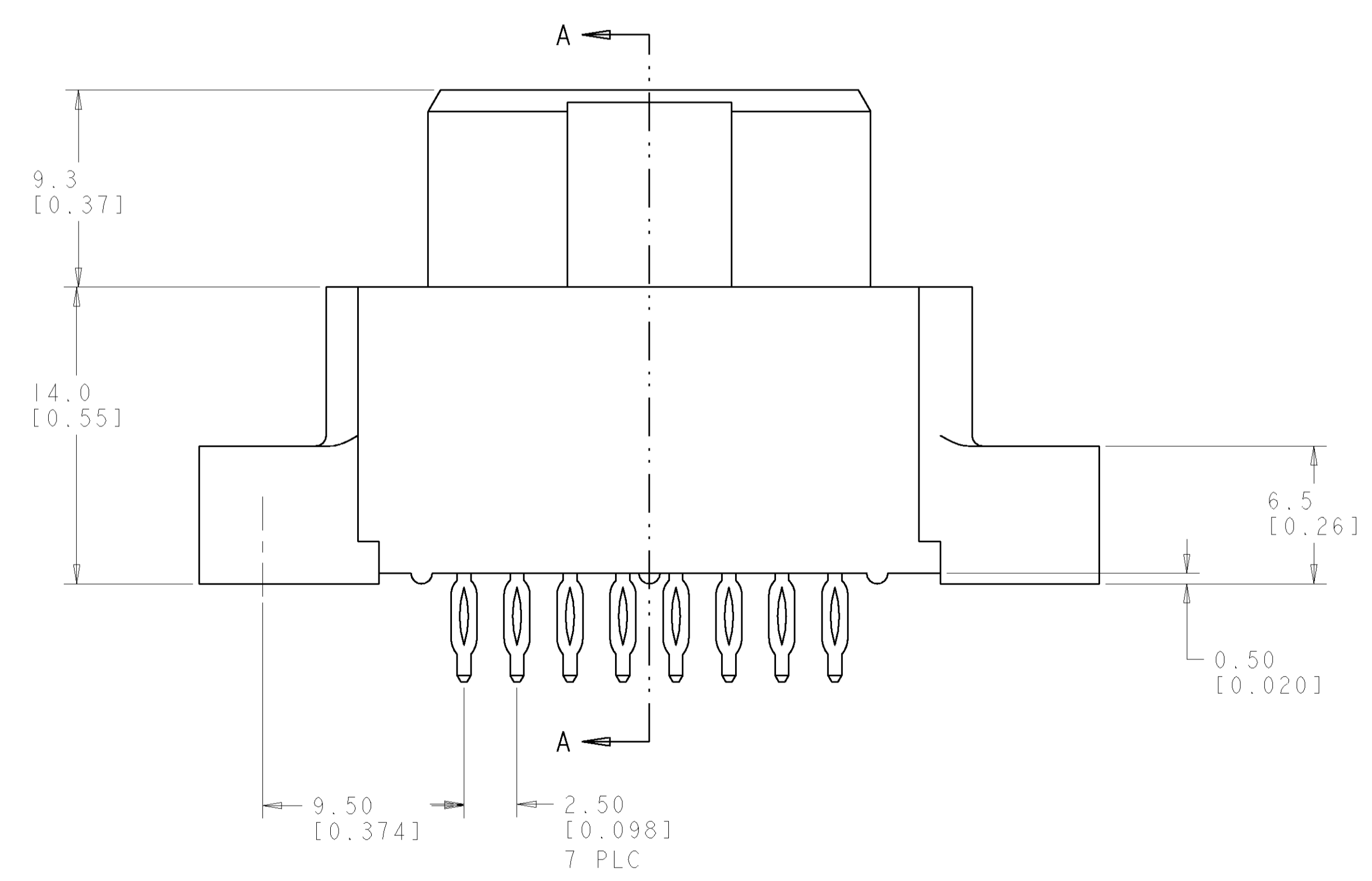
- PART NUMBER CHANGES AND OR DESIGN CHANGES AFFECTING ITEM INTERCHANGEABILITY REQUIRE PRIOR TYCO APPROVAL AND AUTHORIZATION BY REVISION TO THIS DRAWING.
- MATERIAL:  
INSULATORS - THERMOPLASTIC, GLASS REINFORCED, COLOR: BLACK, UL94V-0 FLAMMABILITY RATED.  
SOLDER SIGNAL PINS-BRASS ALLOY
- FINISH:  
CONTACTS - GOLD PLATE .000030 INCH MIN. THK., OVER NICKEL .000050 INCH MIN. THK  
SOLDER TAILS, TIN .000040 INCH MIN. THK.  
OVER NICKEL .000050 MIN THK.

ITEMS PROVIDED TO THIS SPECIFICATION TO BE PERMANENTLY IDENTIFIED PER THE FOLLOWING IDENTIFIER LABEL

YEAR 1 WEEK 1

TYCO PART NO.      DATE CODE (e.g. 0106)  
 XXXXXXXX-X      XXXX

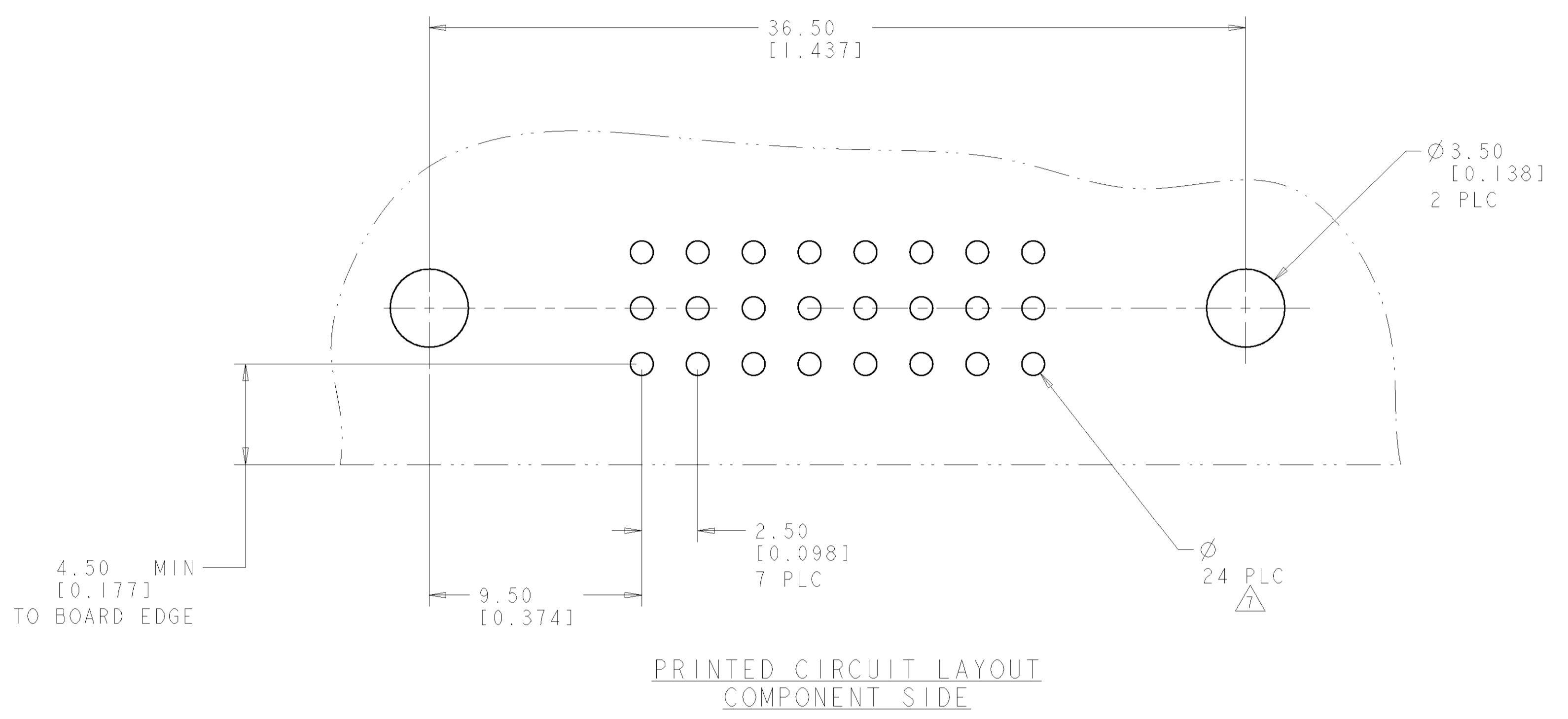
MOUNTING FLANGE ACCEPTS M3 OR #4-40 SCREWS. (USER SUPPLIED)



AS SHOWN	6646315-1
DESCRIPTION	PART NUMBER

DIMENSIONS: mm [INCHES] TOLERANCES UNLESS OTHERWISE SPECIFIED: 0 PLC ± 1 PLC ±0.3 2 PLC ±0.15 3 PLC ± 4 PLC ± ANGLES ± 5		DWN: B. GRZYBOWSKI 25JULY06 CHK: D. ORRIS 25JULY06 APVD: S. FLICKINGER 25JULY06 PRODUCT SPEC: - APPLICATION SPEC: - WEIGHT: - CUSTOMER DRAWING		Tyco Electronics Harrisburg, PA 17105-3608 NAME: STRAIGHT SOCKET CONNECTOR COMPLIANT TAIL SIZE: A   00779   C=6646315 SCALE: 3:1 SHEET 1 OF 3 REV B	
---	--	--	--	---	--

LOC		DISTR		REVISIONS			
GP	00	P	LTR	DESCRIPTION	DATE	DRN	APVD
-	-	-	-	SEE SHEET 1	-	-	-

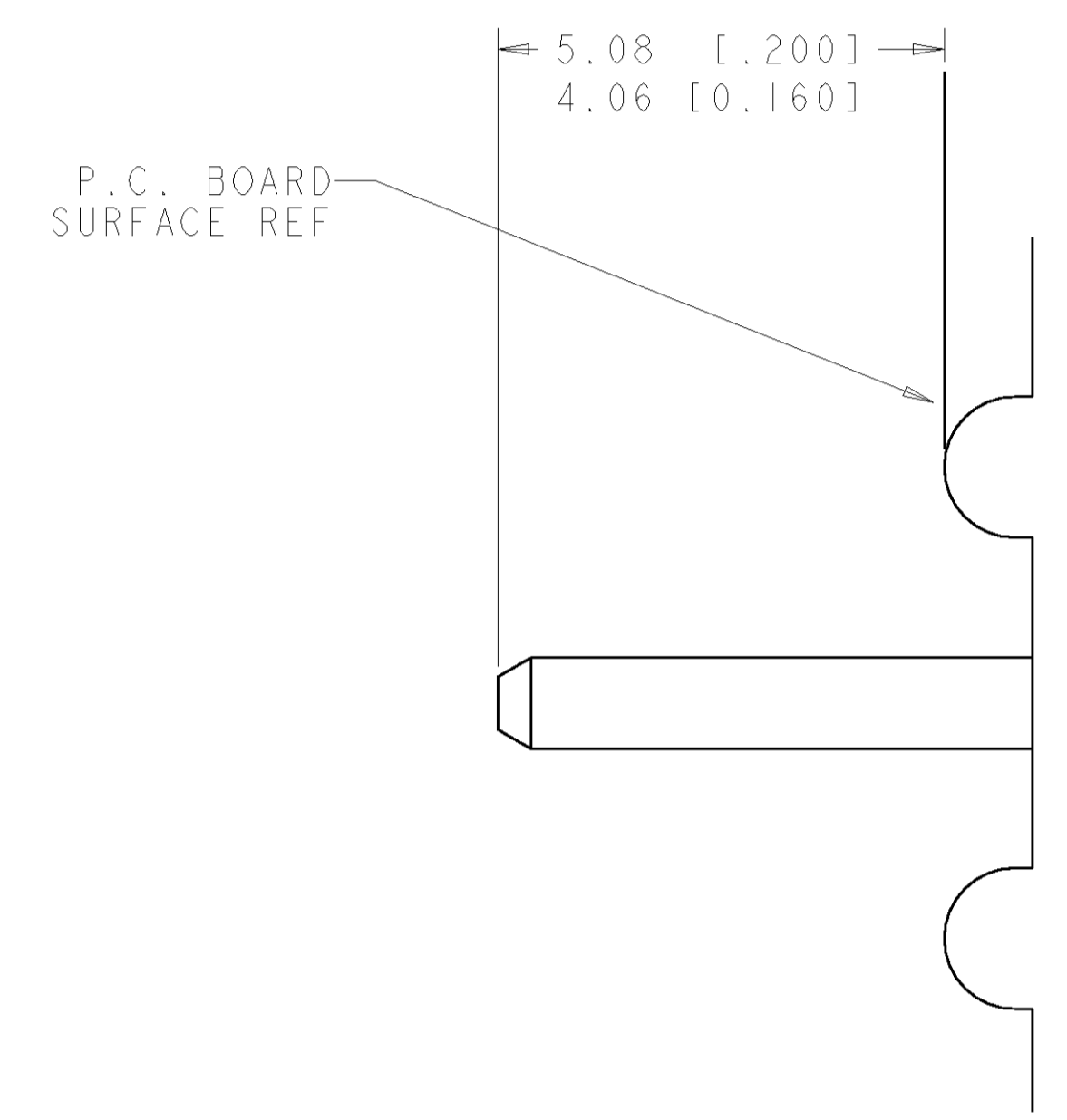


CONNECTOR	EQUIVALENT CATALOG MODULE #	MODULE QTY	CONTACT QTY	SIZE NO.	MATING PIN	MAX. CURRENT (PER CONTACT)	CONTACT SPACING	VOLTAGE RATING
PIN	FP418	1	24	22	.64 [.025] SQ.	3 amps	2.50 [.0984]	125 VOLTS
	FP500	1	-	LEFT MOUNTING FLANGE				
	FP501	1	-	RIGHT MOUNTING FLANGE				

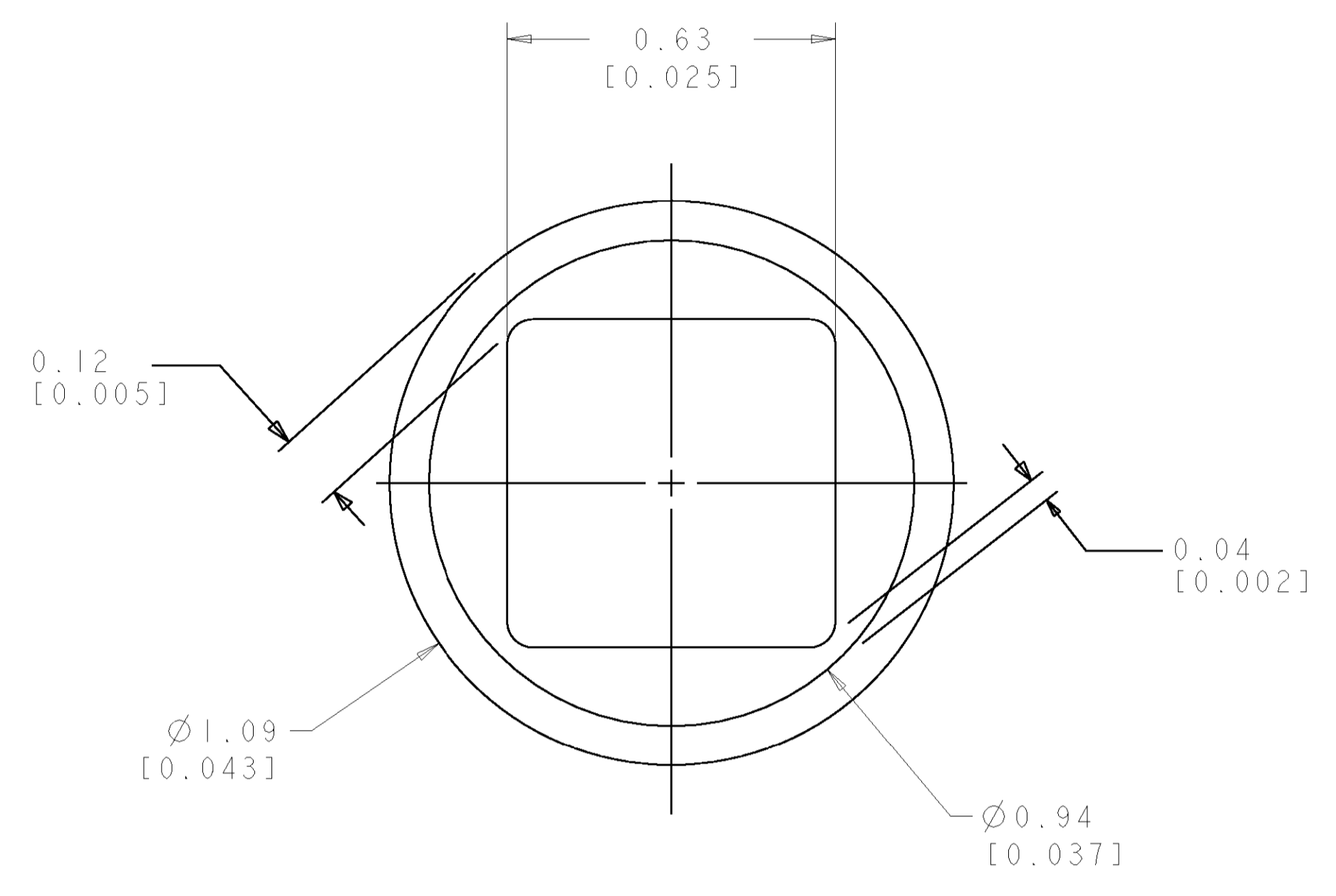
<small>THE INFORMATION CONTAINED HEREIN IS UNCLASSIFIED EXCEPT WHERE SHOWN OTHERWISE. IT IS SUBJECT TO CHANGE WITHOUT NOTICE AND IS NOT TO BE DISTRIBUTED OUTSIDE THE ORGANIZATION UNLESS SO CONTACTED FOR THE CORRECT VERSION.</small>		DWN B. GRZYBOWSKI 25JULY06 ENR D. ORRIS 25JULY06 APVD S. FLICKINGER 25JULY06	Tyco Electronics Harrisburg, PA 17105-3608  STRAIGHT SOCKET CONNECTOR COMPLIANT TAIL
DIMENSIONS: mm [ INCHES ]	TOLERANCES UNLESS OTHERWISE SPECIFIED: 0 PLC ± 1 PLC ±0.3 2 PLC ±0.15 3 PLC ± 4 PLC ± ANGLES ± 5	PRODUCT SPEC - APPLICATION SPEC - WEIGHT - CUSTOMER DRAWING	NAME - SIZE CAGE CODE DRAWING NO A100779C=6646315 RESTRICTED TO - SCALE 3:1 SHEET 2 OF 3 REV B

ELCON FLATPAQ

LOC	DIST	REVISIONS					
GP	00	P	LTR	DESCRIPTION	DATE	DWN	APVD
-	-	-	-	SEE SHEET 1	-	-	-



6. COMPLIANT PIN DETAIL  
 SCALE 10:1



**△ SOLDER TERMINATION AREA**  
 SCALE 40:1  
 RECOMMENDED PRINTED CIRCUIT COMPLIANT HOLE  
 FINISHED HOLE:  $\varnothing 1.02$  [0.040]  $\pm 0.008$  [0.0003]  
 DRILLED HOLE:  $\varnothing 1.15$  [0.0453]  $\pm 0.013$  [0.0005]  
 COPPER PLATE: .025 [0.0010] MIN  
 TIN PLATE: .008 [0.0003] MIN. (PER SURFACE)

ELCON FLATPAQ

<small>THIS DRAWING IS UNPUBLISHED. RELEASED FOR PUBLICATION BY TYCO ELECTRONICS CORPORATION. ALL RIGHTS RESERVED.</small>		DWN: B. GRZYBOWSKI 25JULY06 CHK: D. ORRIS 25JULY06 APVD: S. FLICKINGER 25JULY06	Tyco Electronics Harrisburg, PA 17105-3608
DIMENSIONS: mm [INCHES]	TOLERANCES UNLESS OTHERWISE SPECIFIED: 0 PLC $\pm$ 1 PLC $\pm 0.3$ 2 PLC $\pm 0.15$ 3 PLC $\pm$ 4 PLC $\pm$ ANGLES $\pm 5$	PRODUCT SPEC APPLICATION SPEC WEIGHT CUSTOMER DRAWING	NAME: STRAIGHT SOCKET CONNECTOR COMPLIANT TAIL SIZE: A   00779   C=6646315 SCALE: 3:1 SHEET 3 OF 3 REV B