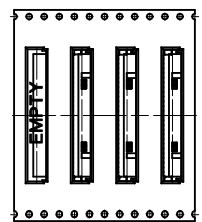
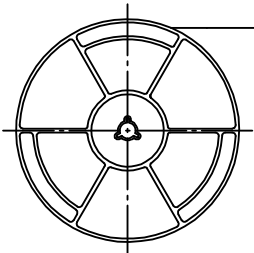


SECTION A-A'

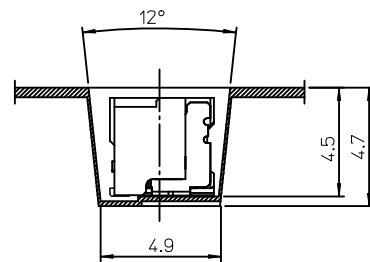
PULL OUT DIRECTION



PULL OUT DIRECTION



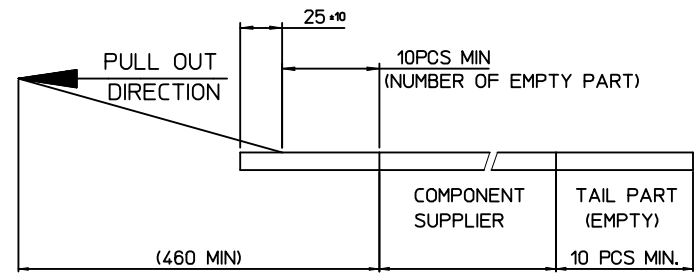
PLASTIC BOBBIN



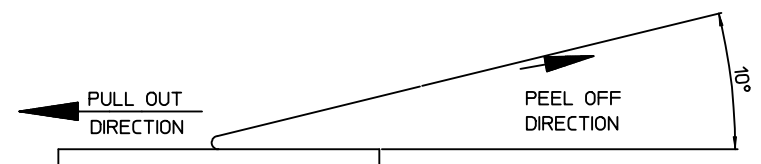
SECTION B-B'
SCALE 3/1

NOTES.
1. QUANTITY OF CONNECTORS : 1,500 PCS/REEL

2. LEAD LENGTH



3. PEELING OFF FORCE OF COVER TAPE : 0.1N~0.59N(10.2GF~60GF)
(PEELING DIRECTION AS SHOW IN FOLLOW FIG.)
PEELING OFF SPEED : 300mm/Min.(Ref.)



4. FLASH IN ANY PORTION SHOULD BE LESS THAN 0.20mm MAX.
5. UNLESS OTHERWISE SPECIFIED INNER R 0.2MAX
6. DRAFT ANGLE 3° MAX

3	PLASTIC BOBBIN	HI P.S	WHITE
2	COVER TAPE	PET ANTISTATIC	49.0 mm
1	CARRIER (EMBOSSED) TAPE	PET ANTISTATIC	104091-9905
NO	DESCRIPTION	MATERIAL	REMARK

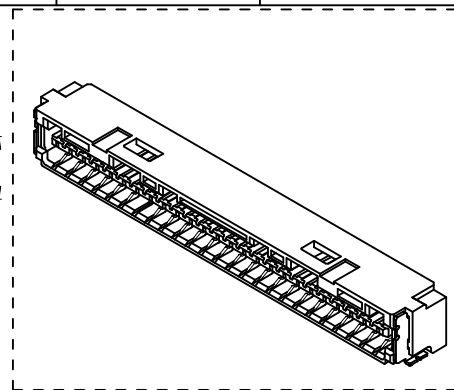
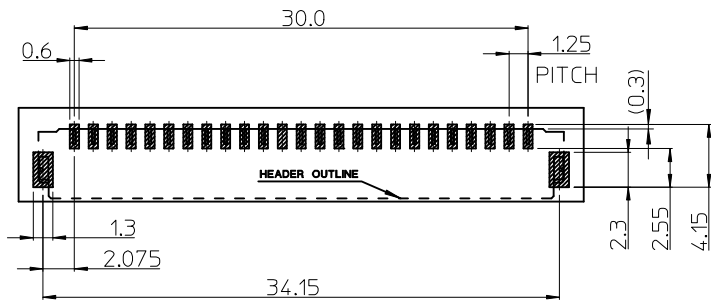
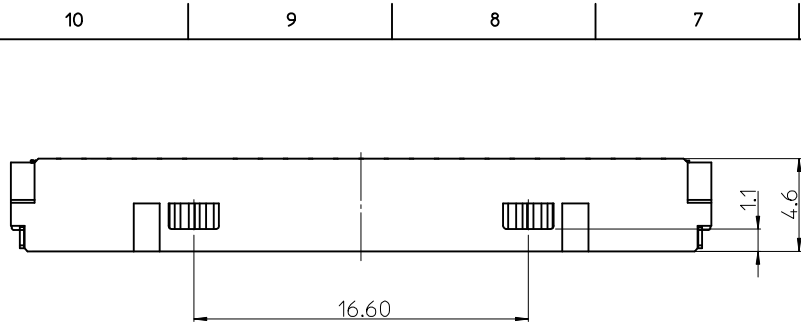
ORDER NO 104091-2520

RELEASED
EC NO: KOR2012-0127
DRWN:SKCHO 2012/07/09
CHKD:SHCHU 2012/07/09
APPR:YSKIM02 2012/08/06

QUALITY SYMBOLS	GENERAL TOLERANCES (UNLESS SPECIFIED)	
	mm	INCH
▽=0	4 PLACES ± ---	± ---
▽=0	3 PLACES ± ---	± ---
	2 PLACES ± 0.15	± ---
	1 PLACE ± 0.20	± ---
	0 PLACE ± ---	± ---
	ANGULAR ± 5 °	
	DRAFT WHERE APPLICABLE MUST REMAIN WITHIN DIMENSIONS	

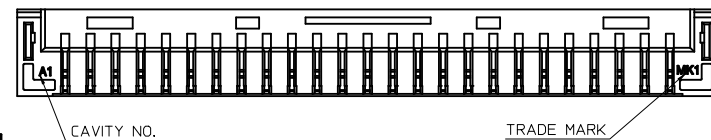
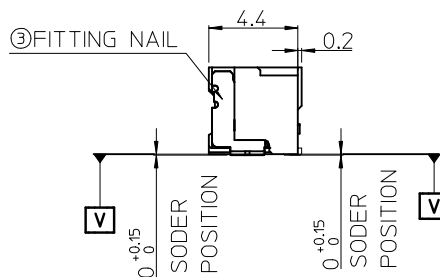
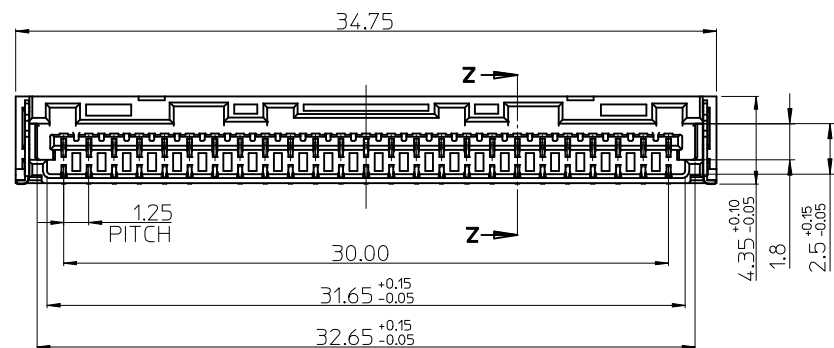
DIMENSION STYLE
MM ONLY
DRAWN BY SKCHO DATE 2011/08/02
CHECKED BY SHCHU DATE 2011/08/02
APPROVED BY YSKIM02 DATE 2012/08/06
MATERIAL NO. 1040912520

SCALE 1/1
DESIGN UNITS METRIC
THIRD ANGLE PROJECTION
TITLE 1.25 WTB CONN. R/A -25P
HEADER ASS'Y
EMBOSSED PACKAGE
molex
DOCUMENT NO. SD-104091-012
SHEET NO. 1 OF 1
THIS DRAWING CONTAINS INFORMATION THAT IS PROPRIETARY TO MOLEX INCORPORATED AND SHOULD NOT BE USED WITHOUT WRITTEN PERMISSION



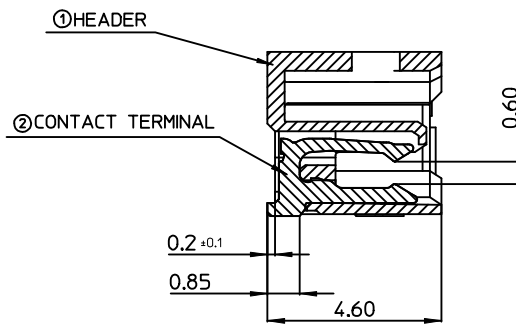
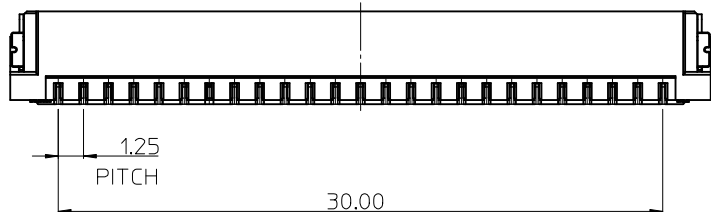
RECOMMEND RATTERN [REF.]

[PCB GENERAL TOLERANCE ±0.05]



NOTES.

- MATERIALS
 - ① HEADER : LIQUID CRYSTAL POLYMER(LCP), GLASS FILLED, UL94V-0, COLOR: NATURAL (IVORY)
 - ② CONTACT TERMINAL : PHOSPHOR BRONZE
 - ③ FITTING NAIL : PHOSPHOR BRONZE
- FINISHES
 - ② CONTACT TERMINAL : PURE TIN PLATING ON OVERALL THICKNESS : 3.0~5.0µm UNDER PLATING Ni OVERALL THICKNESS 1.25~3.75µm
 - ③ FITTING NAIL : PURE TIN PLATING ON OVERALL THICKNESS 3.0 ~ 5.0µm UNDER PLATING Ni OVERALL THICKNESS 1.25 ~ 3.75µm
- PRODUCT SPECIFICATION : PS-104091-001
- PACKAGING SPECIFICATION : PK-104091-001
- MATED WITH : 104092-2500
- COPLANALITY OF SOLDER TAILS (PEAK TEMP.:260°C 1 TIME) BEFORE & AFTER REFLOW : 0.08 MAX



SECTION Z-Z

ORDER NO 104091-2520

RELEASED EC NO: KOR2012-0127 DRWN:SKCHO 2012/07/09 CHKD:SHCHU 2012/07/09 APPR:YSK1M02 2012/08/06	QUALITY SYMBOLS ▽=0 ◻=0	GENERAL TOLERANCES (UNLESS SPECIFIED)		DIMENSION STYLE MM ONLY		SCALE 4/1	DESIGN UNITS METRIC	THIRD ANGLE PROJECTION		
			mm	INCH	DRAWN BY	DATE	TITLE			
		4 PLACES	± ---	± ---	JHPARK	2011/04/03	1.25 WTB CONN. R/A -25P HEADER ASS'Y			
		3 PLACES	± ---	± ---	CHECKED BY	DATE				
2 PLACES	± 0.15	± ---	SHCHU	2011/04/03	MOLEX INCORPORATED					
1 PLACE	± 0.20	± ---	APPROVED BY	DATE						
	ANGULAR ± 1 °		YSK1M02	2012/08/06	MATERIAL NO. 1040912520		DOCUMENT NO. SD-104091-013		SHEET NO. 1 OF 1	
DRAFT WHERE APPLICABLE MUST REMAIN WITHIN DIMENSIONS			THIS DRAWING CONTAINS INFORMATION THAT IS PROPRIETARY TO MOLEX INCORPORATED AND SHOULD NOT BE USED WITHOUT WRITTEN PERMISSION							