

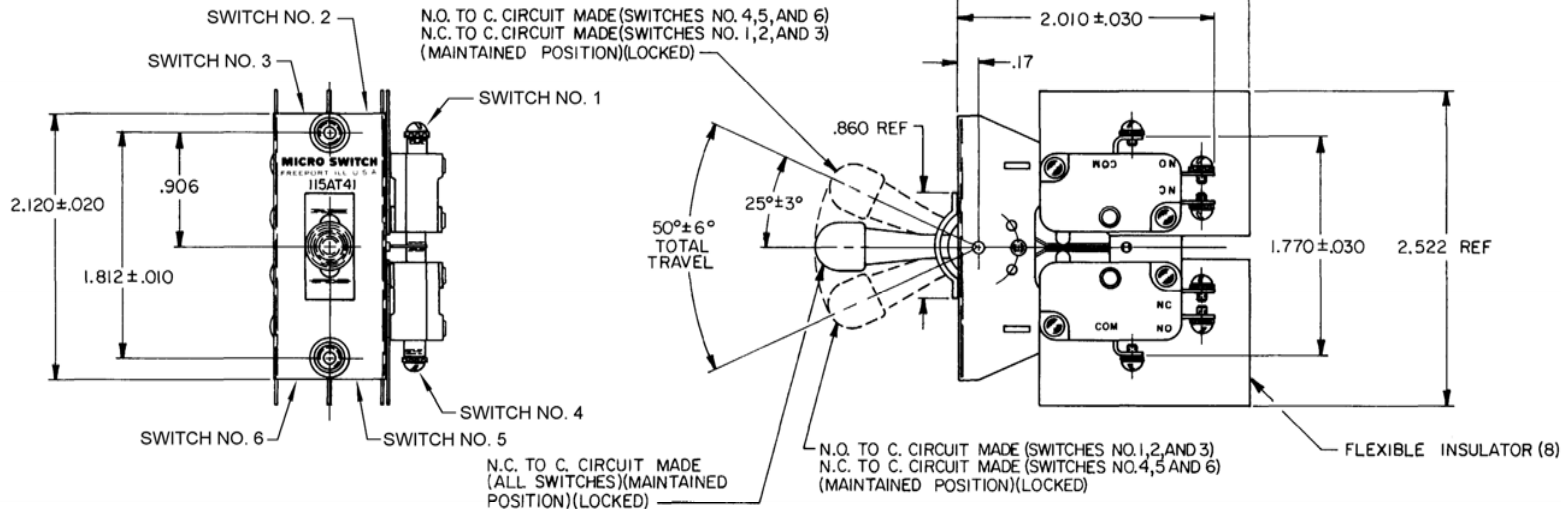
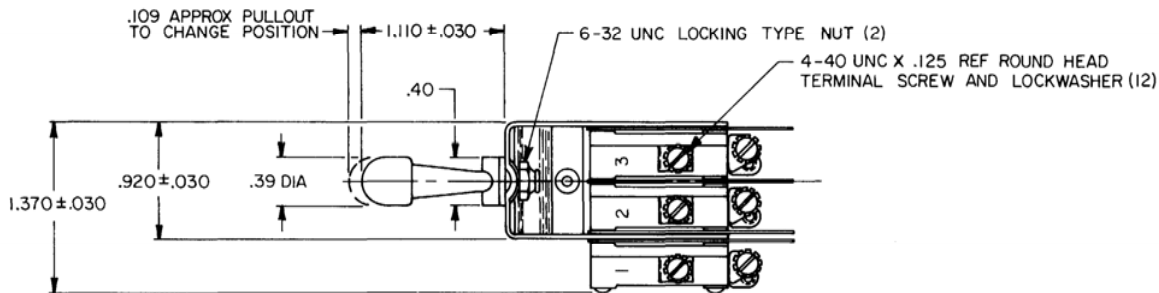
**MICRO SWITCH**

FREERPORT ILLINOIS U.S.A.  
A DIVISION OF HONEYWELL

FED. MFG. CODE 91929

**ASSEMBLY -  
TOGGLE SWITCH**

CATALOG LISTING  
**115AT41**



**NOTES**

- 1 - UNIT INCLUDES CAT. LIST. V3-1 TYPE BASIC SWITCH (6)
- 2 - SWITCHES DO NOT NECESSARILY OPERATE SIMULTANEOUSLY
- 3 - BASIC SWITCH NUMBER MARKED ON EACH BASIC SWITCH

THIS DRAWING COVERS A PROPRIETARY ITEM AND IS THE PROPERTY OF MICRO SWITCH, A DIVISION OF HONEYWELL. THIS DRAWING IS NOT TO BE COPIED OR USED WITHOUT THE APPROVAL OF MICRO SWITCH.

CHARACTERISTICS	ELECTRICAL DATA
	CONTACT ARRANGEMENT S P D T (6)
	15A-1/3 HP-125 OR 250 VAC 1/2A-125 VDC, 1/4A-250 VDC

SCALE	FULL
DO NOT SCALE PRINT	
TOLERANCES	
APPL. TO DESIGN UNITS	CONVERSION
INCHES	FRACTIONS
DECIMALS	FRACTIONS
DECIMALS	FRACTIONS
DECIMALS	FRACTIONS
DECIMALS	FRACTIONS
DECIMALS	FRACTIONS
DECIMALS	FRACTIONS
DESIGN UNITS	DESIGN UNITS
THIRD ANGLE PROJECTION	
WEIGHT	

115A141  
 PAGE 1 OF 1  
 M  
 7  
 RELEASE NO. PR-11322  
 CHECK  
 UNIONS  
 COMPLETE  
 047639  
 MAY 80  
 EINST  
 11-1322  
 JUN 82  
 060089  
 A M  
 AUG 86  
 081958  
 A K  
 AN 96  
 0203058  
 MAY 01  
 DRAWN  
 R J H  
 22 JUN 82