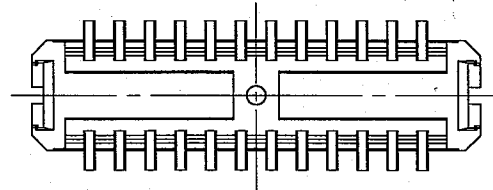
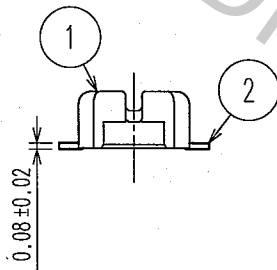
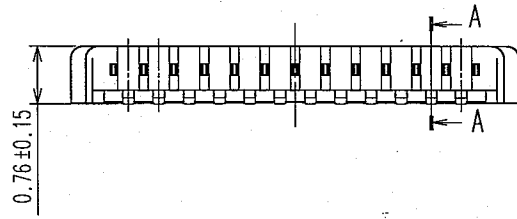
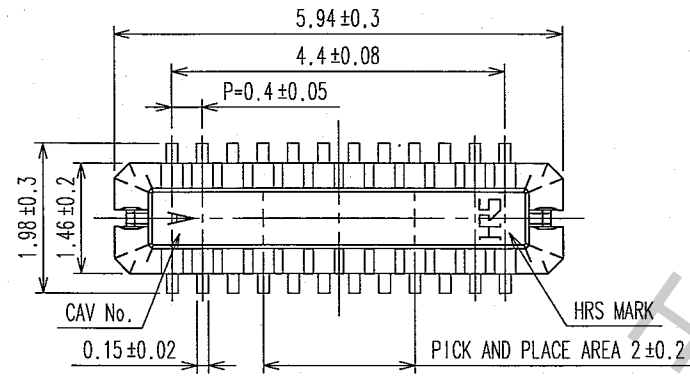
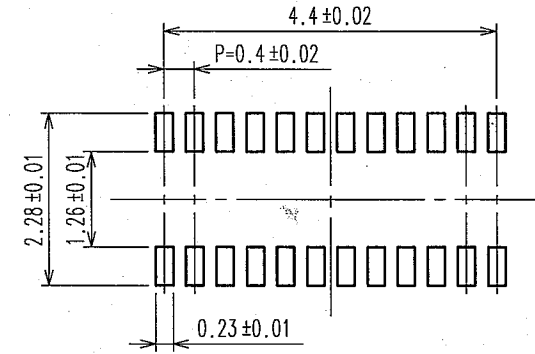


Apr.1.2017 Copyright 2017 HIROSE ELECTRIC CO., LTD. All Rights Reserved.

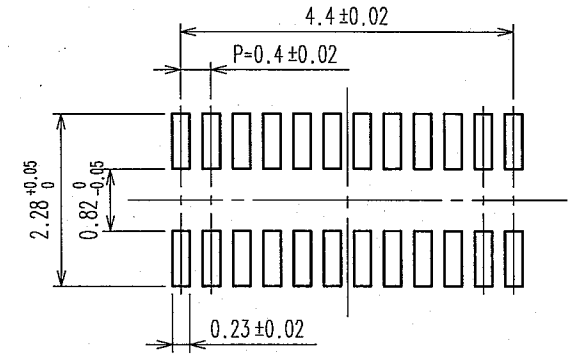


5				6				7				8			
COUNT	DESCRIPTION OF REVISIONS	BY	CHKD	DATE	COUNT	DESCRIPTION OF REVISIONS	BY	CHKD	DATE	COUNT	DESCRIPTION OF REVISIONS	BY	CHKD	DATE	
△					△					△					
△					△					△					
△					△					△					

RECOMMENDED METAL MASK
OPENING PATTERN

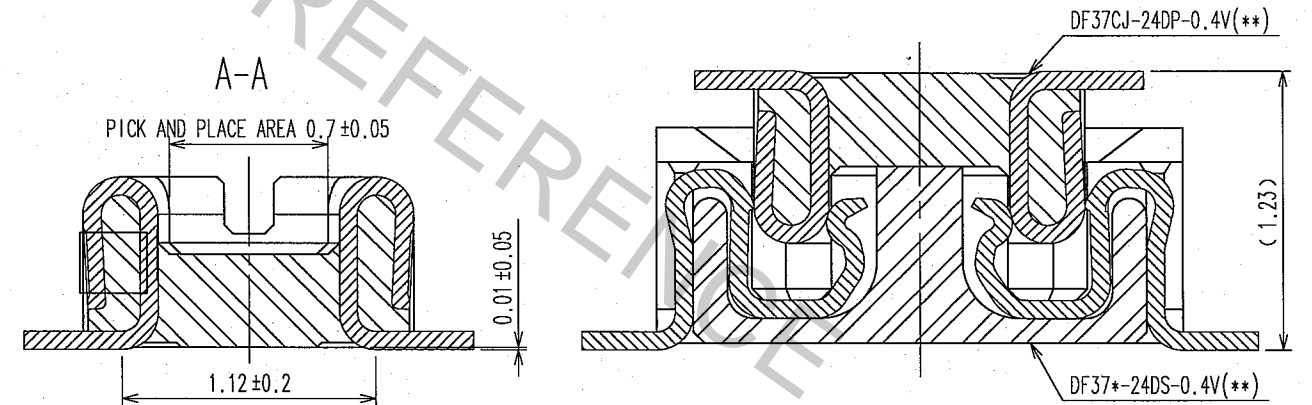


RECOMMENDED PATTERN



RECOMMENDED SOLDER PASTE: THICKNESS 120μm

ENGAGEMENT FIGURE



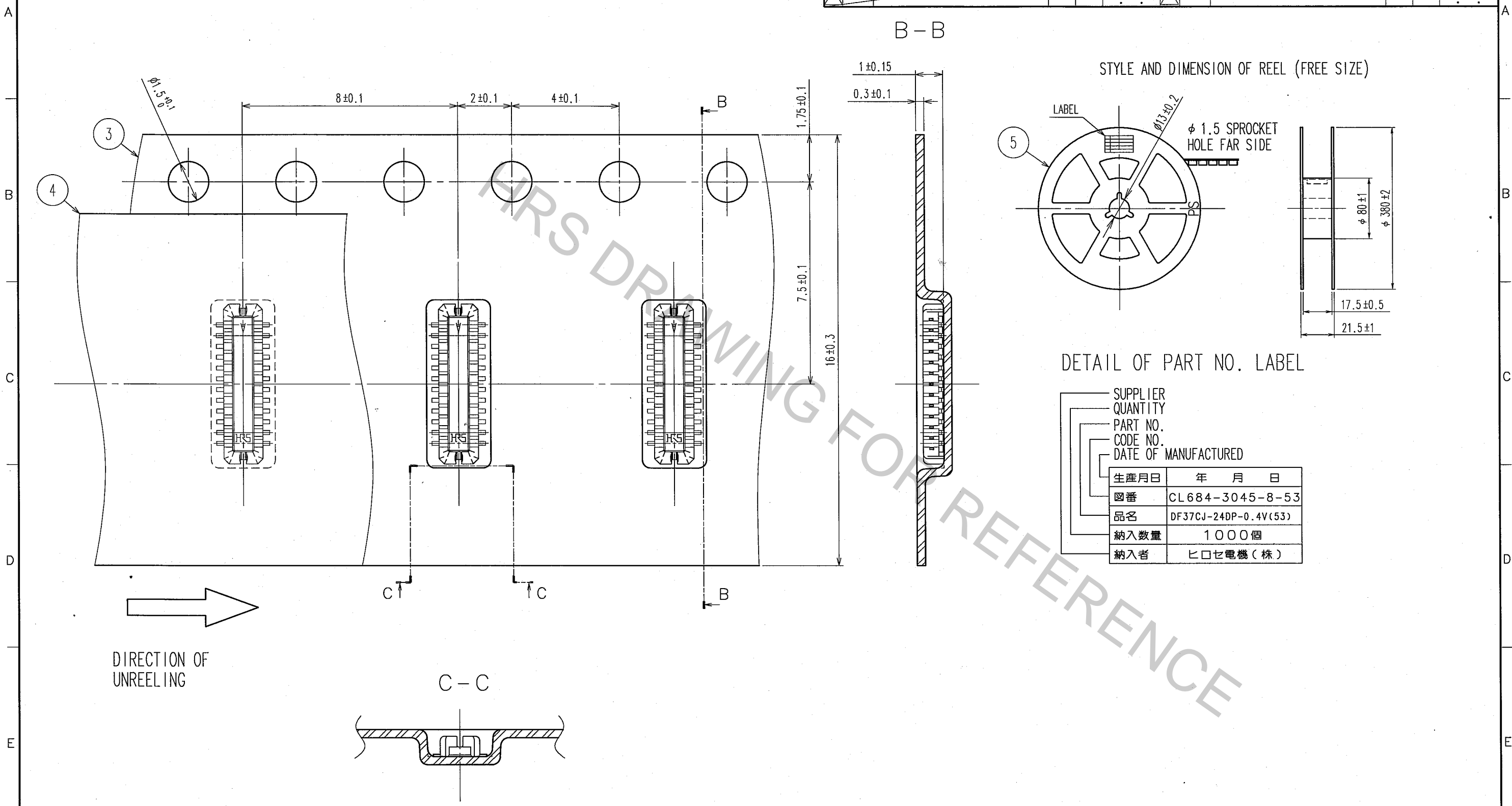
- NOTE 1. ALL LEADS CO-PLANARITY SHALL BE 0.1 MAX.
 2. PER REEL : 1000 CONNECTORS.
 3. AT THE BEGINNING OF THE REEL, 100 mm AT MIN SHALL BE EMPTY POCKETS.
 AT THE END OF THE REEL, 160 mm AT MIN SHALL BE EMPTY.
 4. CONTACT PLATING SPECIFICATIONS.
 CONTACT AREA : GOLD 0.05μm MIN.
 SMT LEAD : GOLD 0.05μm MIN.
 UNDERPLATING : NICKEL 1μm MIN.
 (SURFACE : SEALING)
 5. PEEL FORCE OF COVER TAPE REFERS TO JIS C 0806.

TO

2	PHOSPHOR BRONZE	4	5	PS	PLASTIC REEL (BLACK)		
1	LCP	UL94V-0, BLACK	4	POLYESTER	CLEAR (COVER TAPE)		
NO.	MATERIAL	FINISH, REMARKS	NO.	MATERIAL	FINISH, REMARKS		
NO.	MATERIAL	FINISH, REMARKS	NO.	MATERIAL	FINISH, REMARKS		
CODE NO. (OLD)			DRAWN	DESIGNED	CHECKED	APPROVED	RELEASED
			<i>n.yamashiro</i>	<i>J. Ooi</i>	<i>K. Ikeda</i>	<i>M. Nakamura</i>	
			07.07.21	07.07.21	07.07.23	07.07.23	
DRAWING NO.			PART NO.				
EDC3-313141-03			DF37CJ-24DP-0.4V(53)				
SCALE			CODE NO.				
FREE			CL684-3045-8-53				
UNITS							
mm			HRS HIROSE ELECTRIC CO., LTD				

Apr.1.2017 Copyright 2017 HIROSE ELECTRIC CO., LTD. All Rights Reserved.

COUNT	DESCRIPTION OF REVISIONS	BY	CHKD	DATE	COUNT	DESCRIPTION OF REVISIONS	BY	CHKD	DATE
△					△				
△					△				
△					△				



TO

CODE NO. (OLD)	DRAWN	DESIGNED	CHECKED	APPROVED	RELEASED
	<i>n.yamashiro</i>	<i>J. Ooi</i>	<i>K. Ikeda</i>	<i>M. Nakamura</i>	
	'07.07.21	'07.07.21	'07.07.23	'07.07.23	
SCALE FREE	DRAWING NO. EDC3-313141-03		PART NO. DF37CJ-24DP-0.4V(53)		
UNITS mm	HRS HIROSE ELECTRIC CO., LTD		CODE NO. CL684-3045-8-53	2	