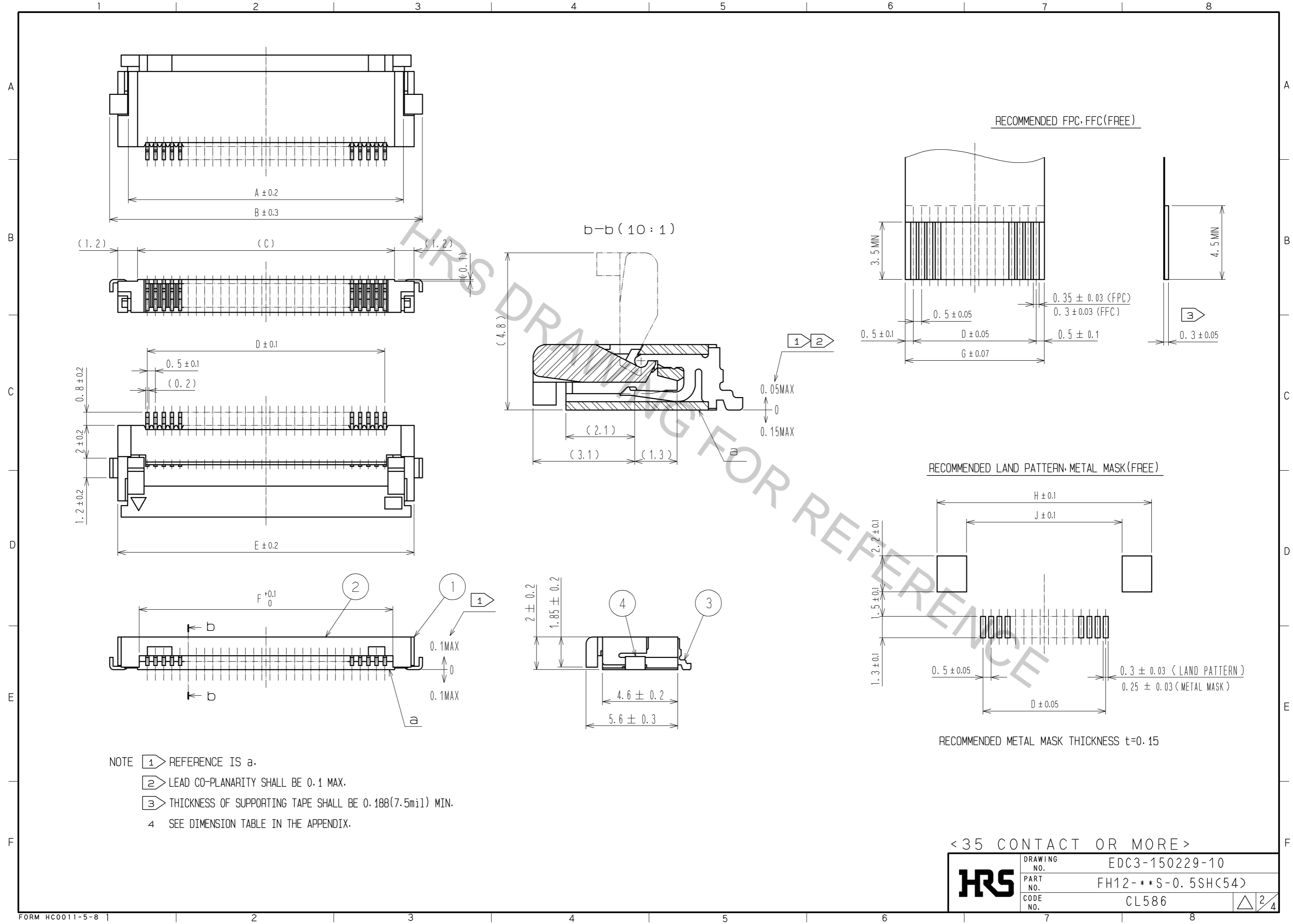
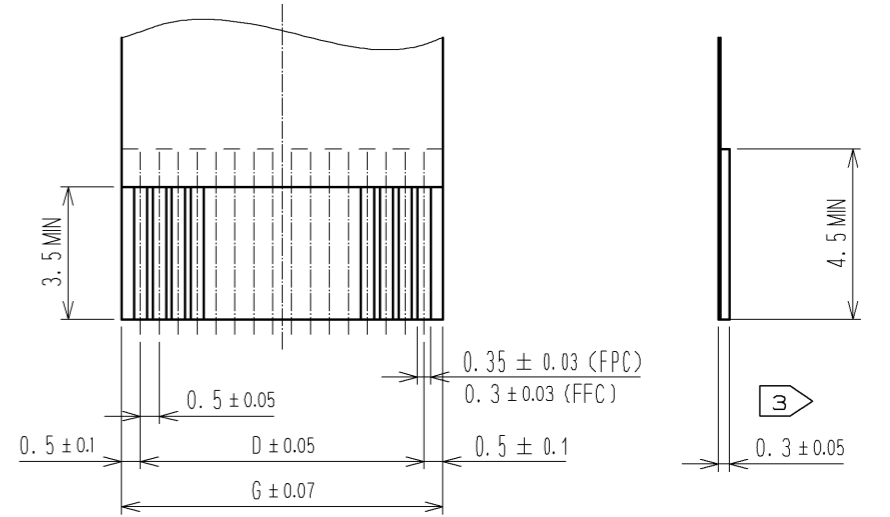


4	BRASS	TIN PLATING 1μMIN OVER NICKEL 1μMIN.	8	(CONNECTOR)	
3	PHOSPHOR BRONZE	{CONTACT AREA, LEAD} GOLD PLATING 0.05μMIN OVER NICKEL 1μMIN {OTHER} NICKEL PLATING 1μMIN	7	POLYSTYRENE	
2	PPS	(DEEP BROWN) UL94V-0	6	POLYESTER	
1	POLYAMIDE	(BEIGE) UL94V-0	5	POLYSTYRENE	
NO.	MATERIAL	FINISH, REMARKS	NO.	MATERIAL	FINISH, REMARKS

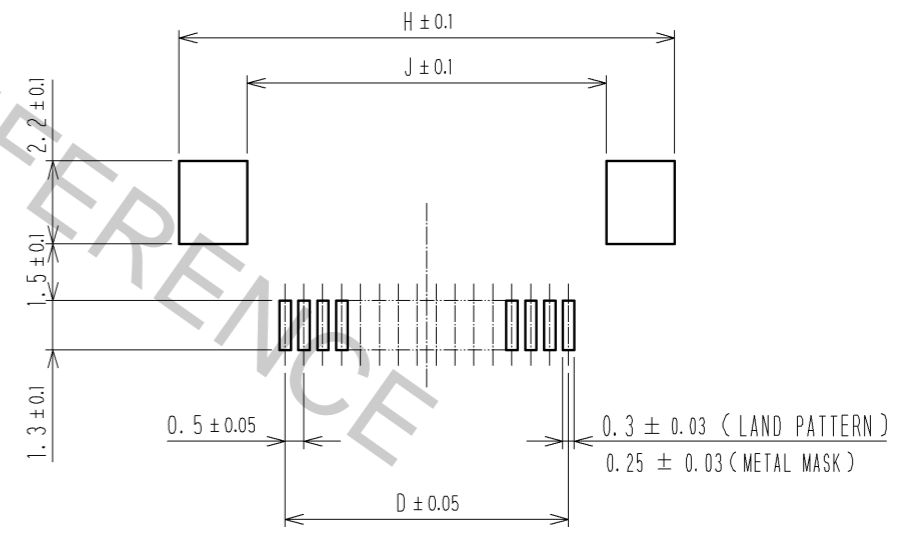
UNITS mm		SCALE 5 : 1	COUNT 	DESCRIPTION OF REVISIONS	DESIGNED	CHECKED	DATE
APPROVED : MO. ISHIDA 12.06.12				DRAWING NO. EDC3-150229-10			
CHECKED : HS. SAKAMOTO 12.06.12				PART NO. FH12-**S-0.5SH(54)			
DESIGNED : NM. SANPEI 12.06.11				CODE NO. CL586			
DRAWN : NM. SANPEI 12.06.11							



RECOMMENDED FPC, FFC(FREE)



RECOMMENDED LAND PATTERN, METAL MASK(FREE)



RECOMMENDED METAL MASK THICKNESS t=0.15

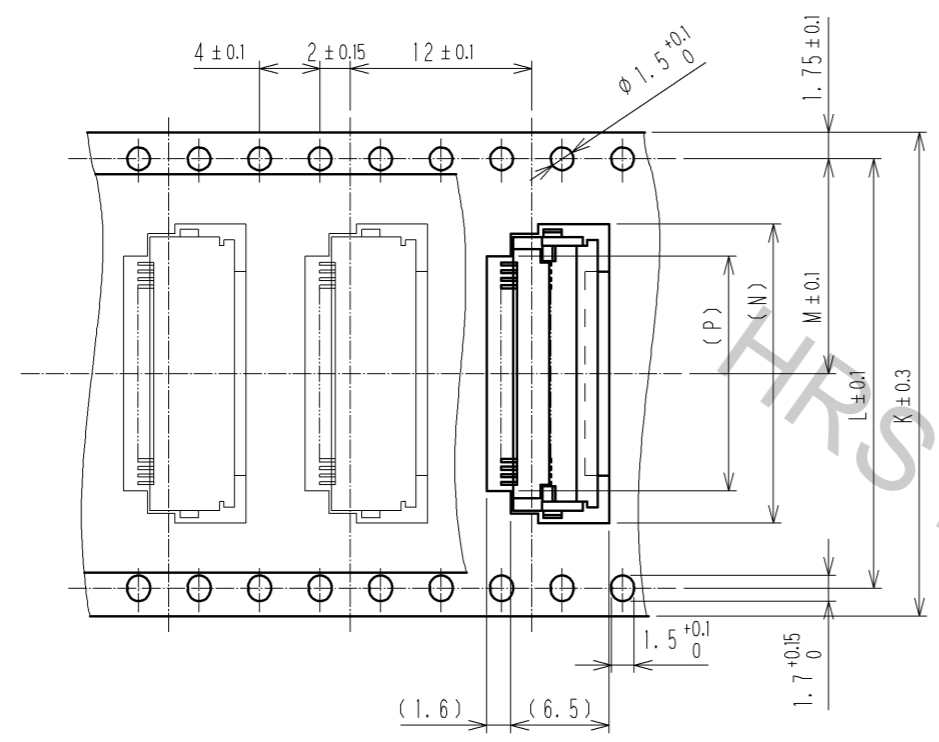
- NOTE
- 1 REFERENCE IS a.
 - 2 LEAD CO-PLANARITY SHALL BE 0.1 MAX.
 - 3 THICKNESS OF SUPPORTING TAPE SHALL BE 0.188(7.5mil) MIN.
 - 4 SEE DIMENSION TABLE IN THE APPENDIX.

< 35 CONTACT OR MORE >	
HRS	DRAWING NO. EDC3-150229-10
	PART NO. FH12-**S-0.5SH(54)
	CODE NO. CL586
	2/4

1 2 3 4 5 6 7 8

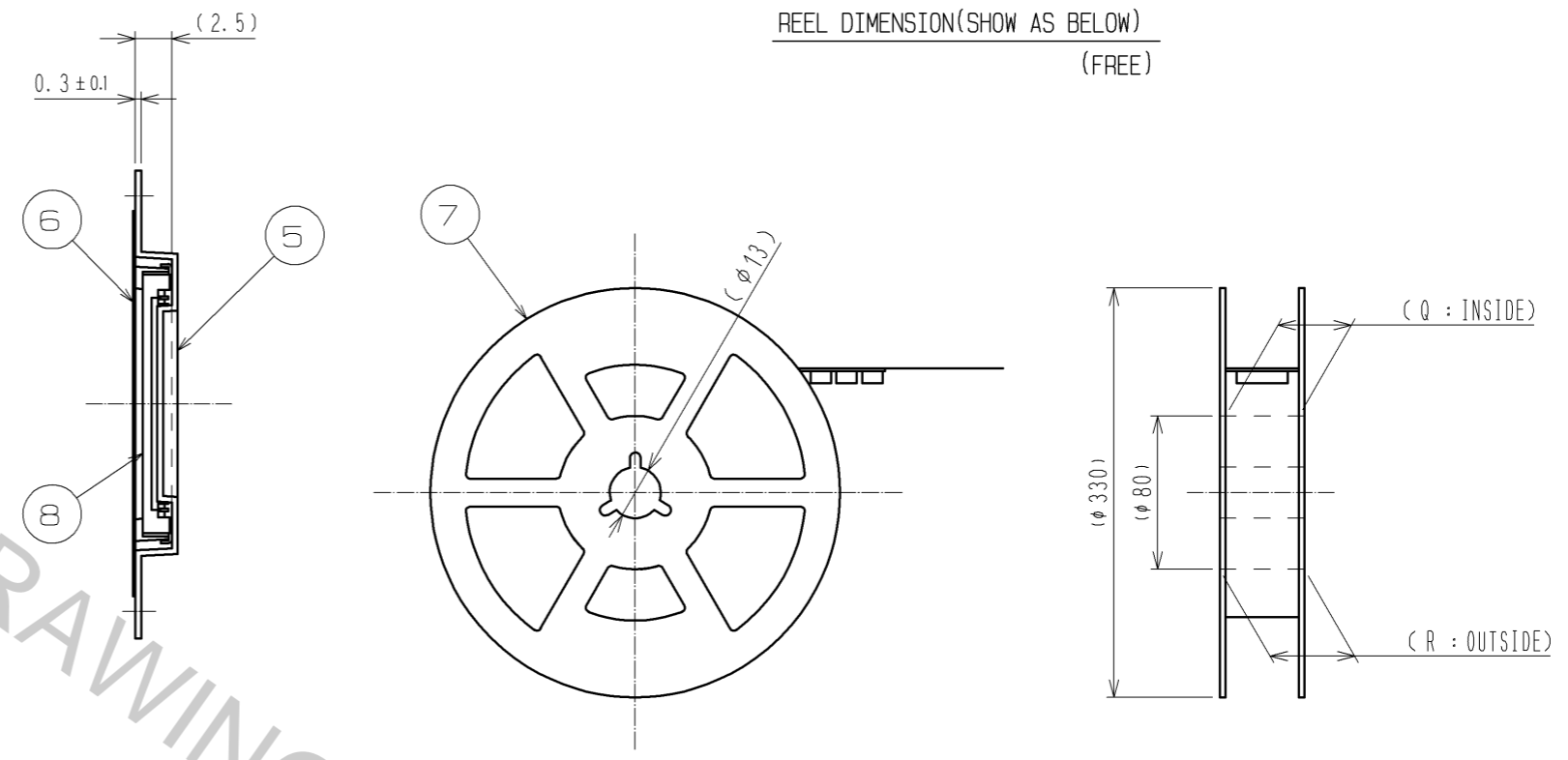
EMBOSSED CARRIER TAPE DIMENSION (2:1)

TAPE WIDTH: 32mm MIN

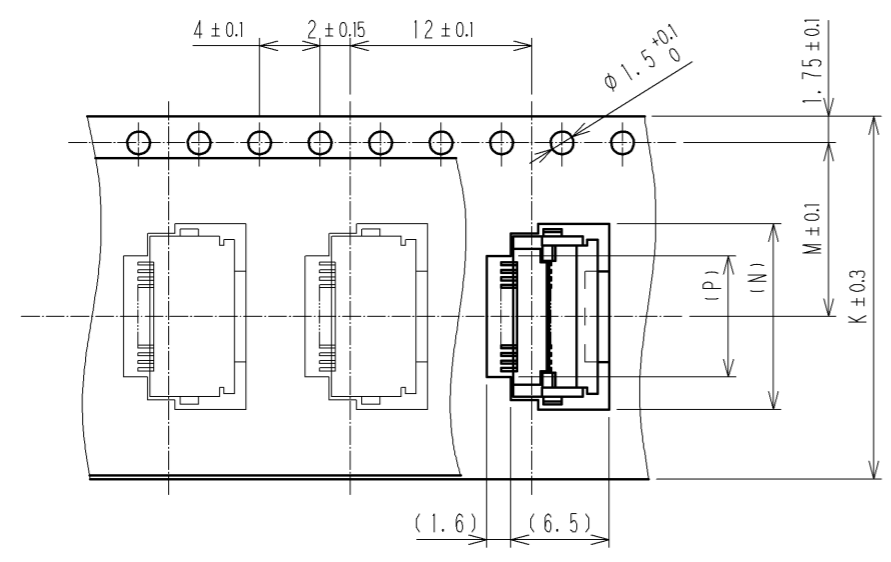


→
DIRECTION OF UNREELING

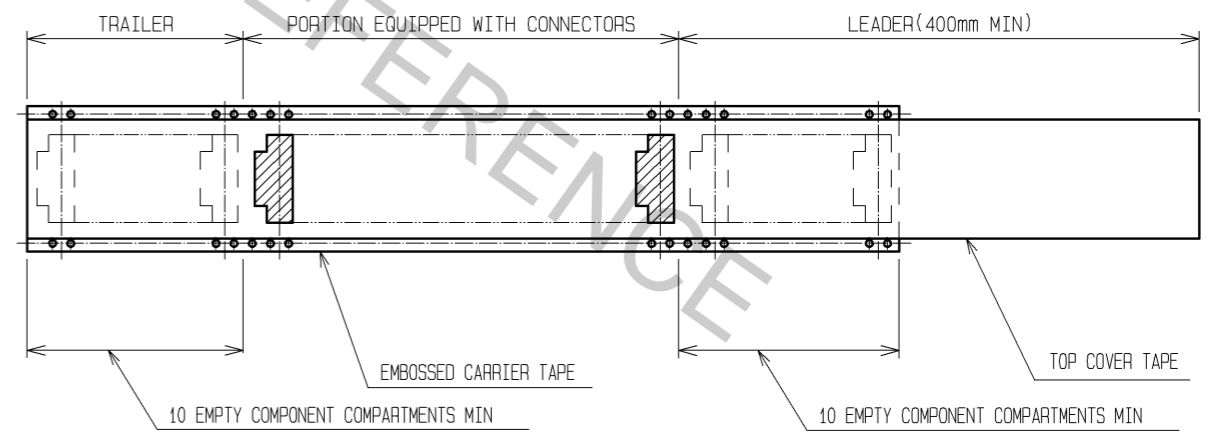
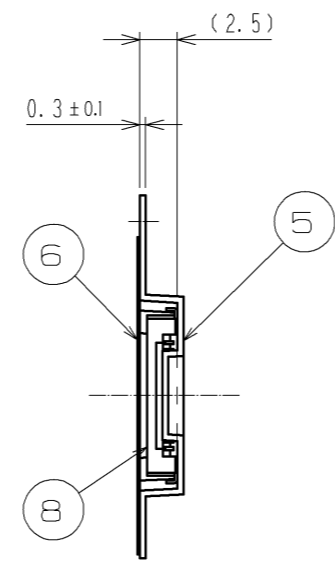
REEL DIMENSION (SHOW AS BELOW)
(FREE)



TAPE WIDTH: 24mm MAX



→
DIRECTION OF UNREELING



NOTE 6 THE DIMENSIONS IN PARENTHESES ARE FOR REFERENCE.

7 1 REEL : 2000 CONNECTORS.

8 SEE DIMENSION TABLE IN THE APPENDIX.

<DRAWING FOR PACKING>

HRS	DRAWING NO.	EDC3-150229-10
	PART NO.	FH12-**S-0.5SH(54)
	CODE NO.	CL586
		3/4

DRAWING FOR REFERENCE

