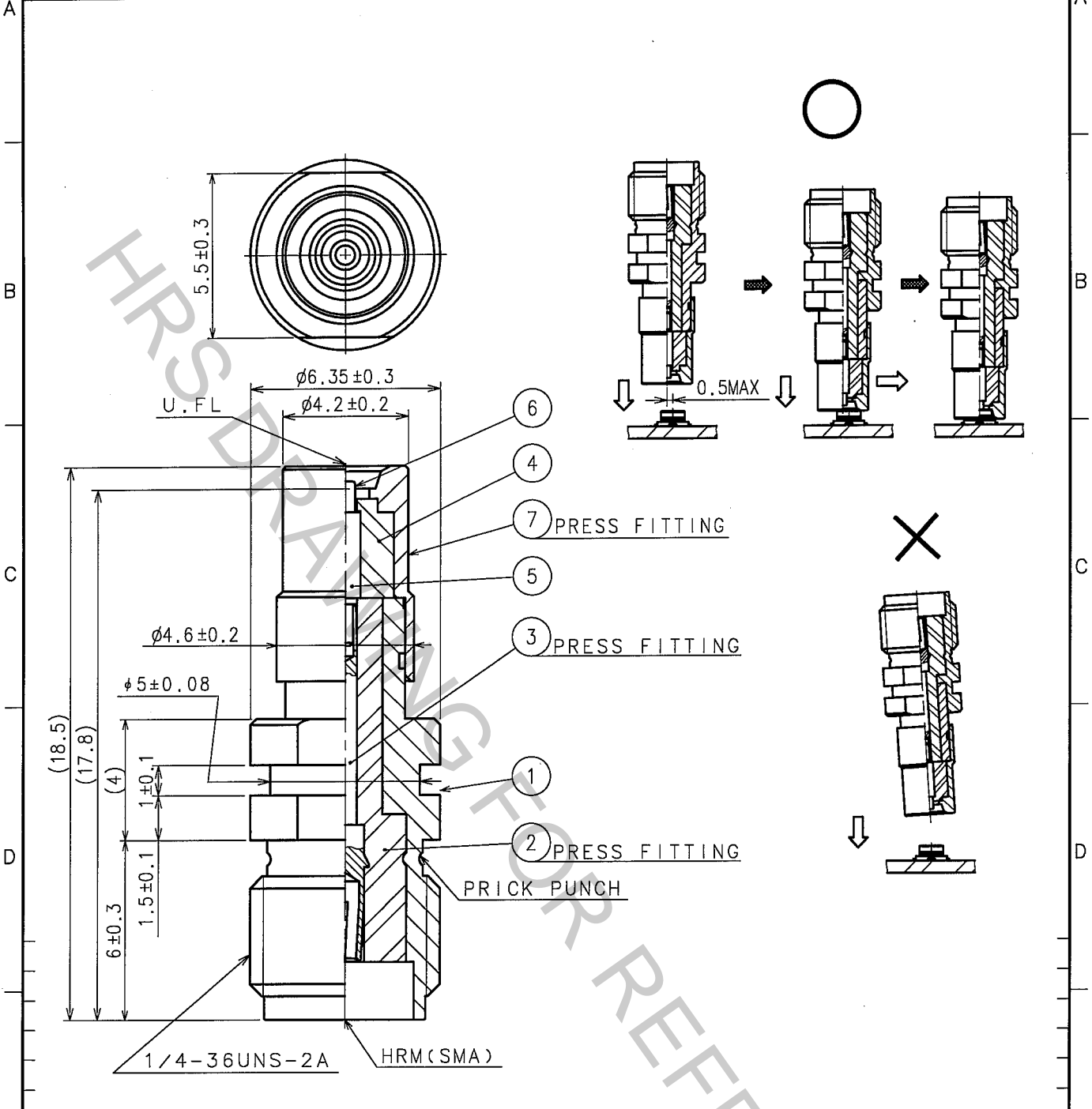


1				2				3				4			
COUNT	DESCRIPTION OF REVISIONS	BY	CHKD	DATE	COUNT	DESCRIPTION OF REVISIONS	BY	CHKD	DATE	COUNT	DESCRIPTION OF REVISIONS	BY	CHKD	DATE	
△					△					△					
△					△					△					
△					△					△					



4	PTFE			7	STAINLESS STEEL	GOLD PLATING
3	BERYLLIUM COPPER	GOLD PLATING		6	BERYLLIUM COPPER	GOLD PLATING(FREE CONTACT)
2	PTFE			5	BRASS	GOLD PLATING
1	BRASS	NICKEL PLATING				
NO.	MATERIAL	FINISH, REMARKS		NO.	MATERIAL	FINISH, REMARKS

CODE NO. (OLD) CL311-0397-4-00		DRAWN N. Ninomiya 05.05.21	DESIGNED N. Ninomiya 05.05.21	CHECKED M. Yamane 05.05.23	APPROVED J. Mitani 05.05.24	RELEASED
RoHS COMPLIANT						
DRAWING NO. EDC4-305652-40			PART NO. HRMJ-U.FLP-ST1A(40)			
SCALE 5 : 1			CODE NO. CL311-0397-4-40			1/1
UNITS mm			HRS HIROSE ELECTRIC CO., LTD.			

TO
RF

