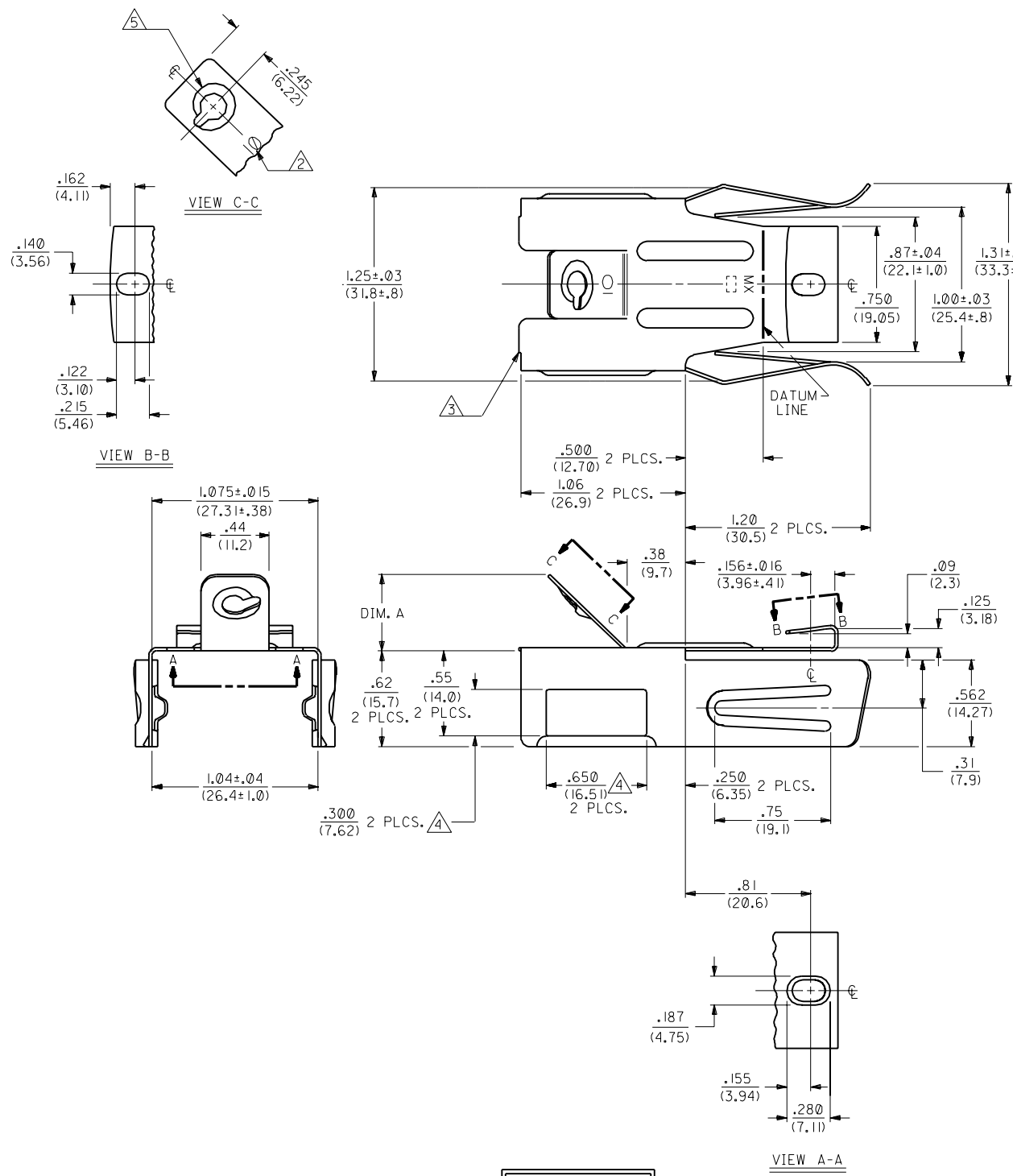


NOTES:

- 1. THESE MOUNTING CLIPS ARE FOR HOLDING THE 2481 SERIES HOUSINGS TO THE MAIN PANEL TOPS OF ELECTRIC RANGES.
- 2. SCREW SIZE INDICATION.
- 3. .015/(.38) MAXIMUM CUT OFF.
- 4. .010/(.25) MAXIMUM MISMATCH.
- 5. THREAD FORM FOR A #10-32 SCREW.
- 6. THIS SURFACE MAY BE FORMED IN THIS DIRECTION A MAXIMUM OF 5°.



2589-ID-10

MATERIAL:

STEEL, STAINLESS, TYPE 301, .020/(.5) THICK.

AC	OBSOLETED P/N UCR2002-0255 01/9/12 COMERCI
AB2	REMOVED NOTCH UCR2000-0104 8/11/99 COMERCI
AB1	REV. RADII UCR2000-0086 8/05/99 COMERCI
AB	REVISED UCR 1999-0818 6/03/99 ELHAG
AA	REVISED ECN U4 0744 6/16/94 RHR
Z	REVISED ECN U4 0213 2/14/94 RHR
Y	REVISED ECN U3 0739 5/13/93 RHR
X	REDRAWN & REDIM. ECN U2 1712 11/25/92 RHR

3	AB
2	Z
1	AC

DIMENSIONS SHOWN (METRIC) INCH
UNLESS OTHERWISE SPECIFIED
TOLERANCES ANGULAR ± DMS 5°

3 PLACE ± .010	---
2 PLACE ± .014	± 0.25
1 PLACE ---	± 0.35

DRAFT WHERE APPLICABLE MUST REMAIN WITHIN DIMENSIONS

DRWG. BY: RHR CHK'D BY: ESS
APP'D BY: RAS SCALE: 2: 1

FILE NAME: SD2589X1
MOLX INC. AND SHOULD NOT BE USED WITHOUT WRITTEN PERMISSION

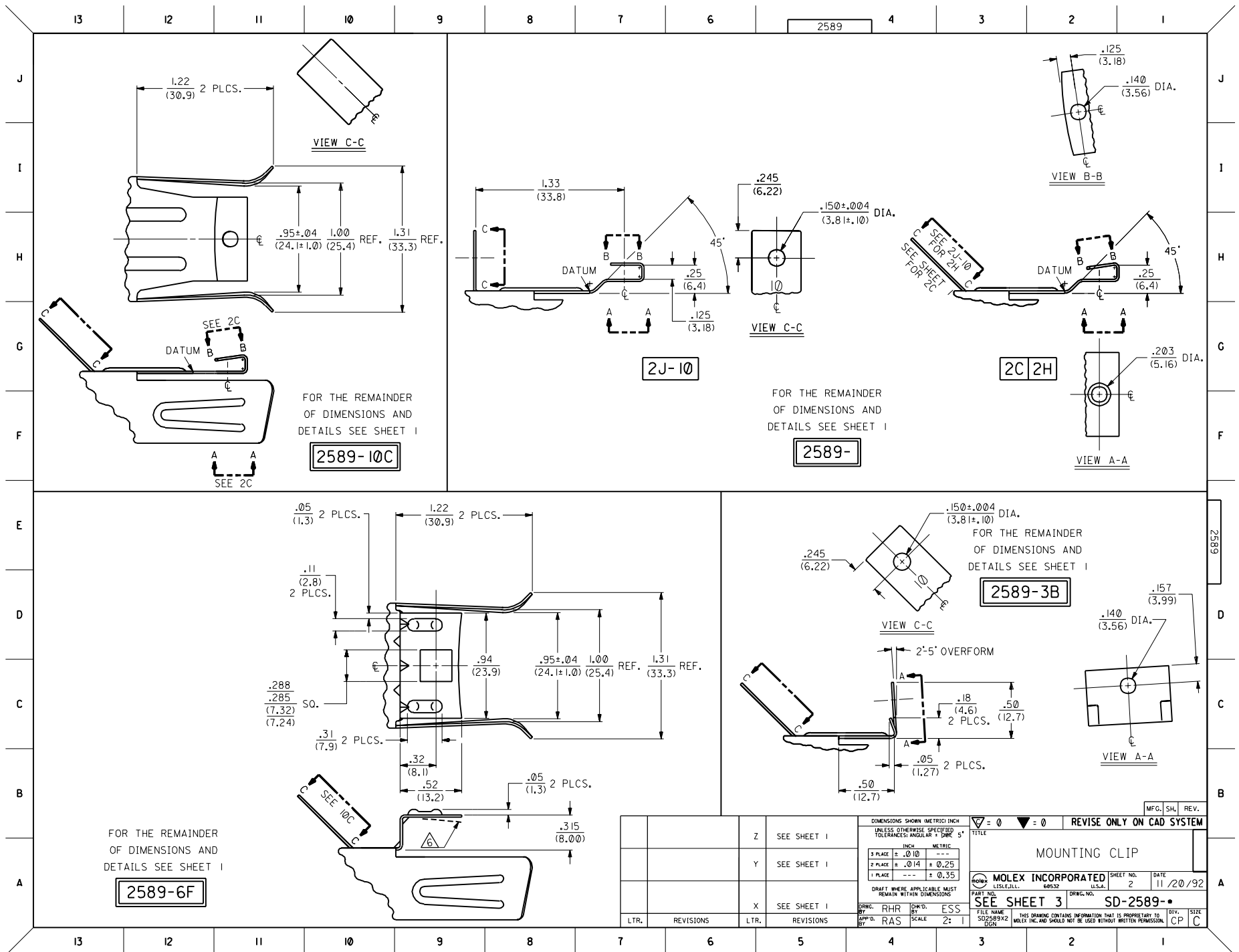
PART NO. SD-2589-1
DRWG. NO. 1 of 3
DATE: 11/20/92

TITLE: MOUNTING CLIP

MOLEX INCORPORATED
1151E, ILL. 60532 U.S.A.

REVISIONS: 3 AB, 2 Z, 1 AC

NO P.S.



VIEW C-C

FOR THE REMAINDER OF DIMENSIONS AND DETAILS SEE SHEET I

2589-10C

2J-10

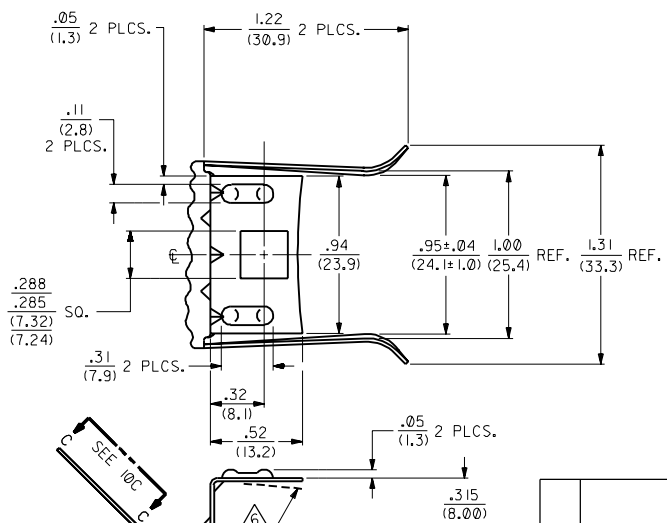
FOR THE REMAINDER OF DIMENSIONS AND DETAILS SEE SHEET I

2589-

VIEW B-B

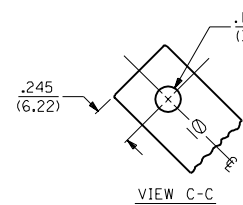
2C 2H

VIEW A-A



FOR THE REMAINDER OF DIMENSIONS AND DETAILS SEE SHEET I

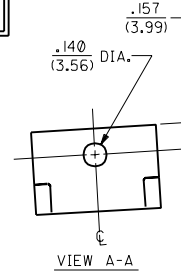
2589-6F



FOR THE REMAINDER OF DIMENSIONS AND DETAILS SEE SHEET I

2589-3B

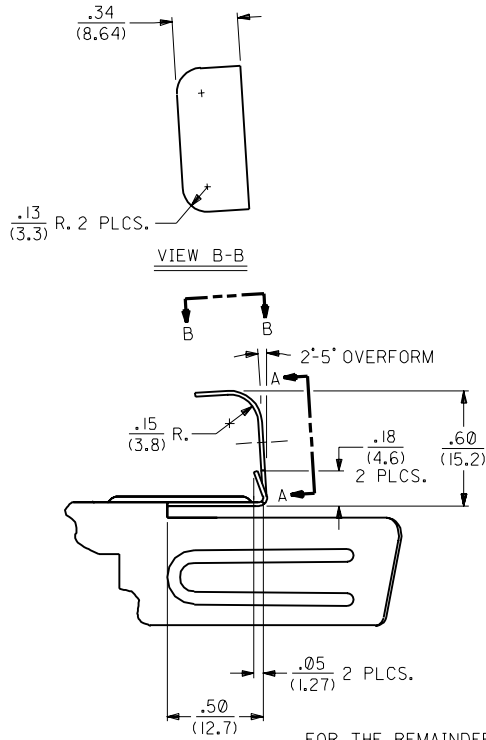
VIEW C-C



VIEW A-A

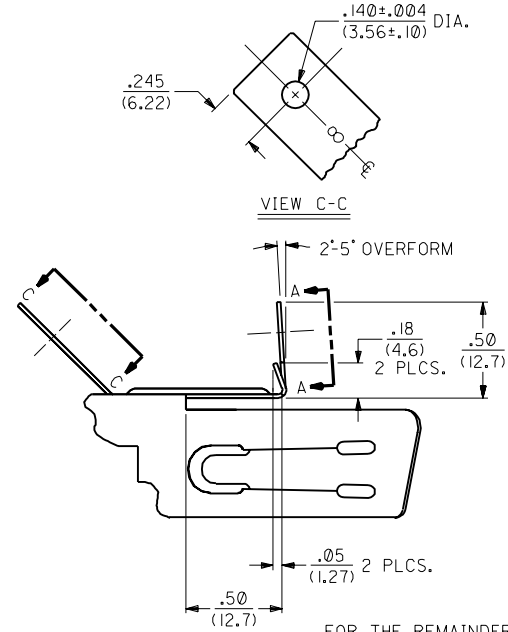
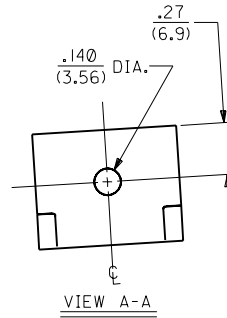
DIMENSIONS SHOWN METRIC INCH UNLESS OTHERWISE SPECIFIED TOLERANCES: ANGULAR ± .04°		MFG. SH. REV.	
Z	SEE SHEET I	TITLE	
Y	SEE SHEET I	MOUNTING CLIP	
X	SEE SHEET I	MOLEX INCORPORATED SHEET NO. 2 DATE 11/20/92	
LTR.	REVISIONS	PART NO. SD-2589-6	
		DRAWING NO. SD-2589-6	
		FILE NAME: SD2589X2	
		THIS DRAWING CONTAINS INFORMATION THAT IS PROPRIETARY TO MOLEX INC. AND SHOULD NOT BE USED WITHOUT WRITTEN PERMISSION.	
		DGN	

PART NO.	ENG. NO.	DIMENSION	
		A	
089-00-2006	2589-ID-10	.48±.025 (12.2±.64)	
089-00-2022	2589-2C	.53±.025 (13.5±.64)	
089-00-2025	2589-2H	.656±.025 (16.66±.64)	
089-00-2027	2589-2J-10	.562±.025 (14.27±.64)	
089-00-2041	2589-3B	.48±.025 (12.2±.64)	
089-00-2047	2589-6F	.375±.015 (9.53±.38)	
089-00-2100	2589-10C	.48±.025 (12.2±.64)	
089-00-2101	2589-21A	.62±.025 (15.7±.64)	OBSOLETE
089-00-2103	2589-23	.62±.025 (15.7±.64)	



FOR THE REMAINDER
OF DIMENSIONS AND
DETAILS SEE SHEET I

2589-23



FOR THE REMAINDER
OF DIMENSIONS AND
DETAILS SEE SHEET I

2589-21A **OBSOLETE**

LTR.		REVISIONS		LTR.		REVISIONS	
		AA	SEE SHEET I				
		Z	SEE SHEET I				
AB	SEE SHEET I	X	SEE SHEET I				

DIMENSIONS SHOWN (METRIC) INCH		▽ = 0 ▼ = 0		REVISE ONLY ON CAD SYSTEM	
UNLESS OTHERWISE SPECIFIED TOLERANCES: ANGULAR ± 5°		TITLE		MOUNTING CLIP	
3 PLACE ± .010		INCH		METRIC	
2 PLACE ± .014 ± 0.25		---		---	
1 PLACE --- ± 0.35		---		---	
DRAFT WHERE APPLICABLE MUST REMAIN WITHIN DIMENSIONS					
DRWG. BY	RHR	CHK'D. BY	ESS	SEE CHART	
APP'D. BY	RAS	SCALE	2: 1	SD-2589-*	
FILE NAME		SHEET NO.		DATE	
SD2589X3		3		2/24/93	
MFG. SH. REV.		U.S.A.		DIV.	
				CP C	