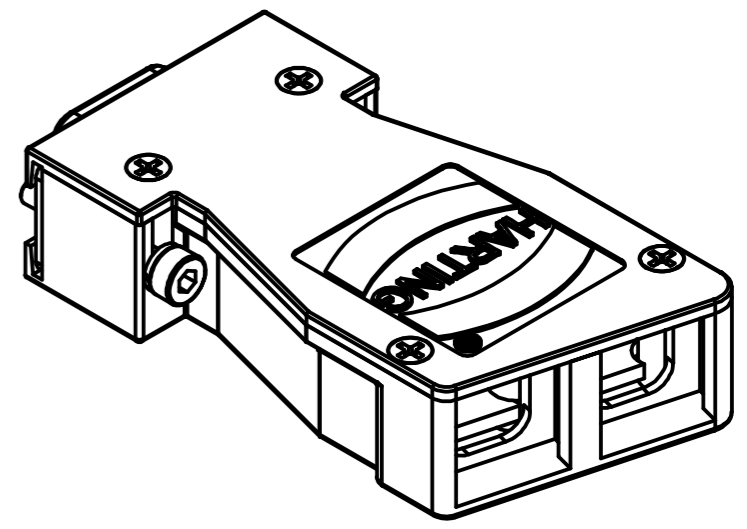
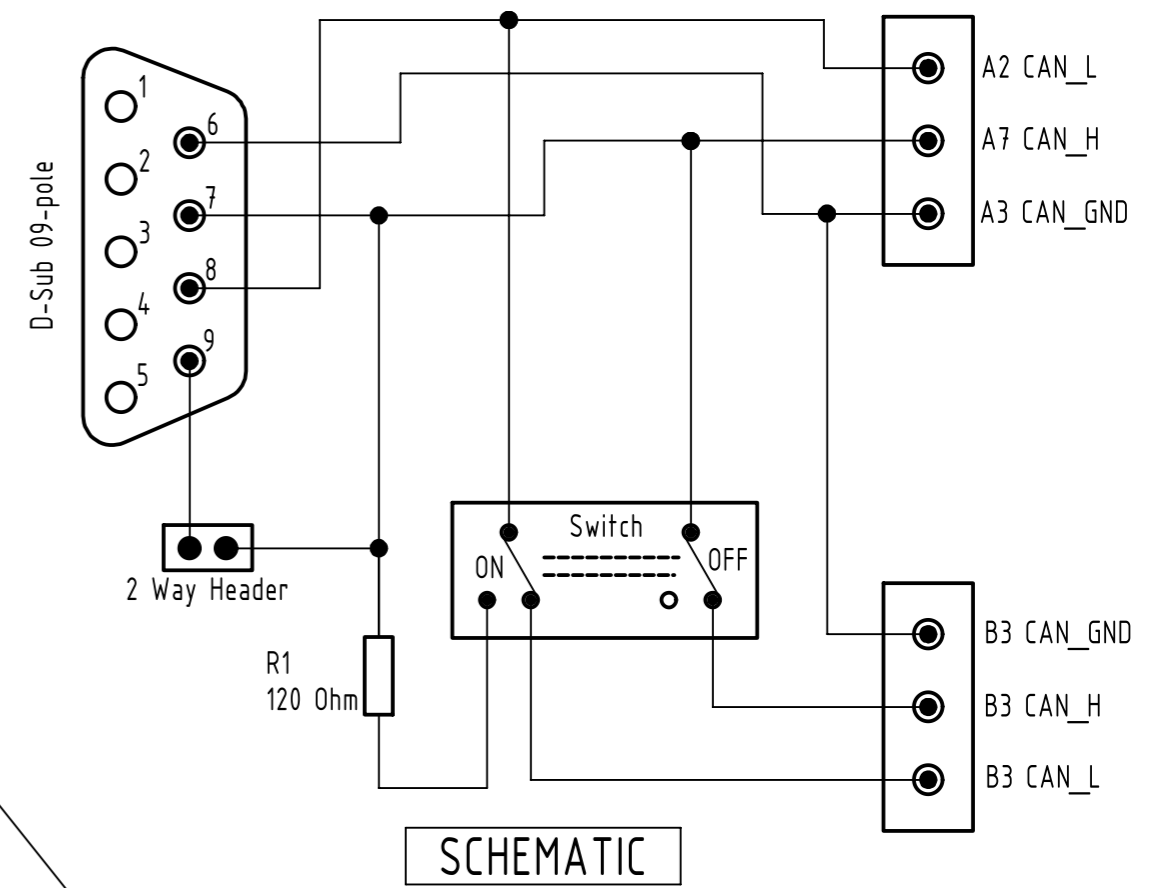
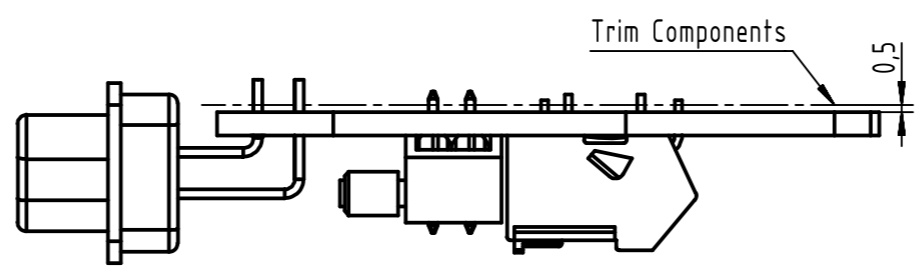
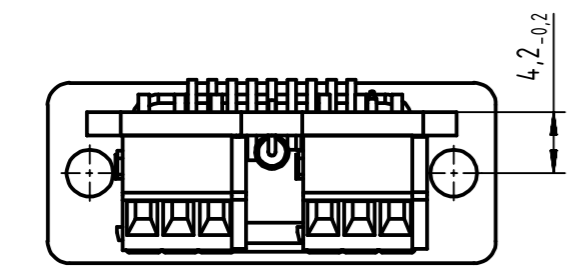
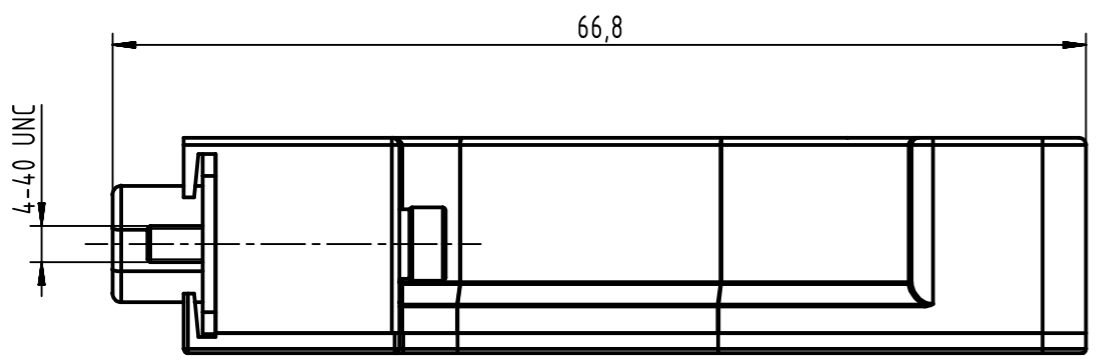
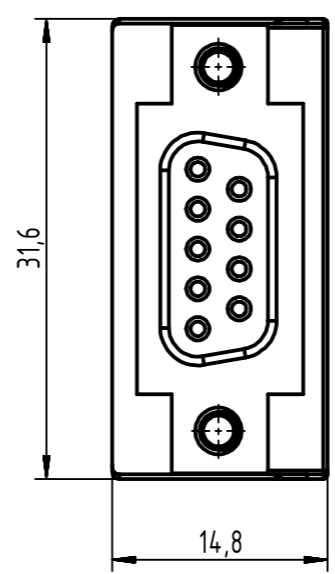
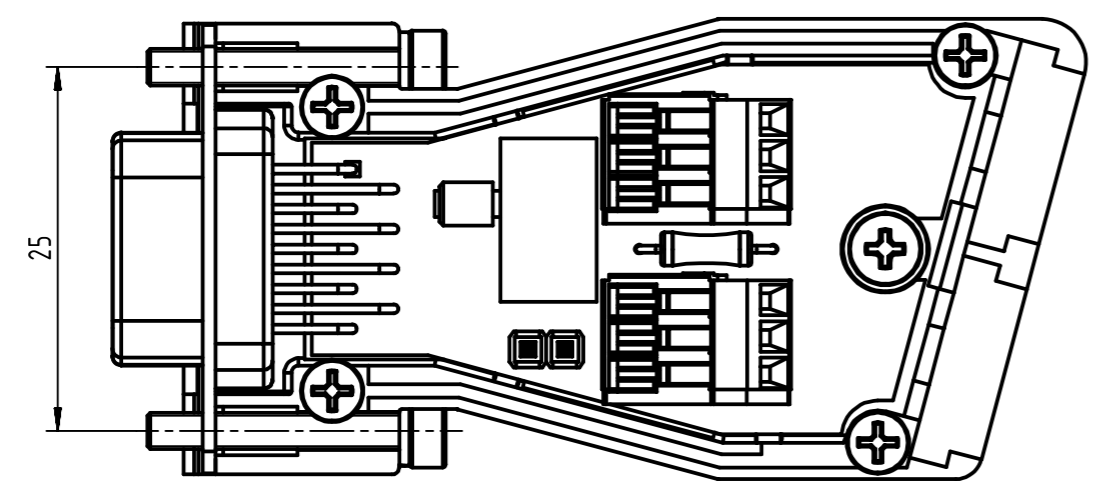


Cover not shown for clarity



6103 000 0042	Blanking piece for metal hood ( 1 off )
6103 000 0067	Crimp Flange 6,0-7,0 mm ( 2 off )
6103 000 0055	Crimp Ferrule 10-11mm ( 2 off )
Part number	Accessories kit

	All rights reserved Department EC PD - CN	All Dimensions in mm Original Size DIN A3		Scale 2:1	Free size tol.	Ref. Sub.
		Created by ZHUANGJ	Inspected by LUOK	Standardisation KOHLER	Date 2017-03-28	State Final Release
HARTING Electronics GmbH D-32339 Espelkamp		Title InduCom 9 female CAN 4-40 UNC				Doc-Key / ECM-Nr. 100719802/UGD/000/A 500000117309
		Type TB	Number 66630096069		Rev. A	Page 1/1