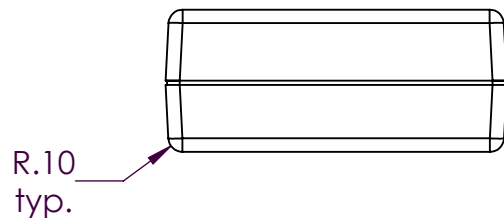
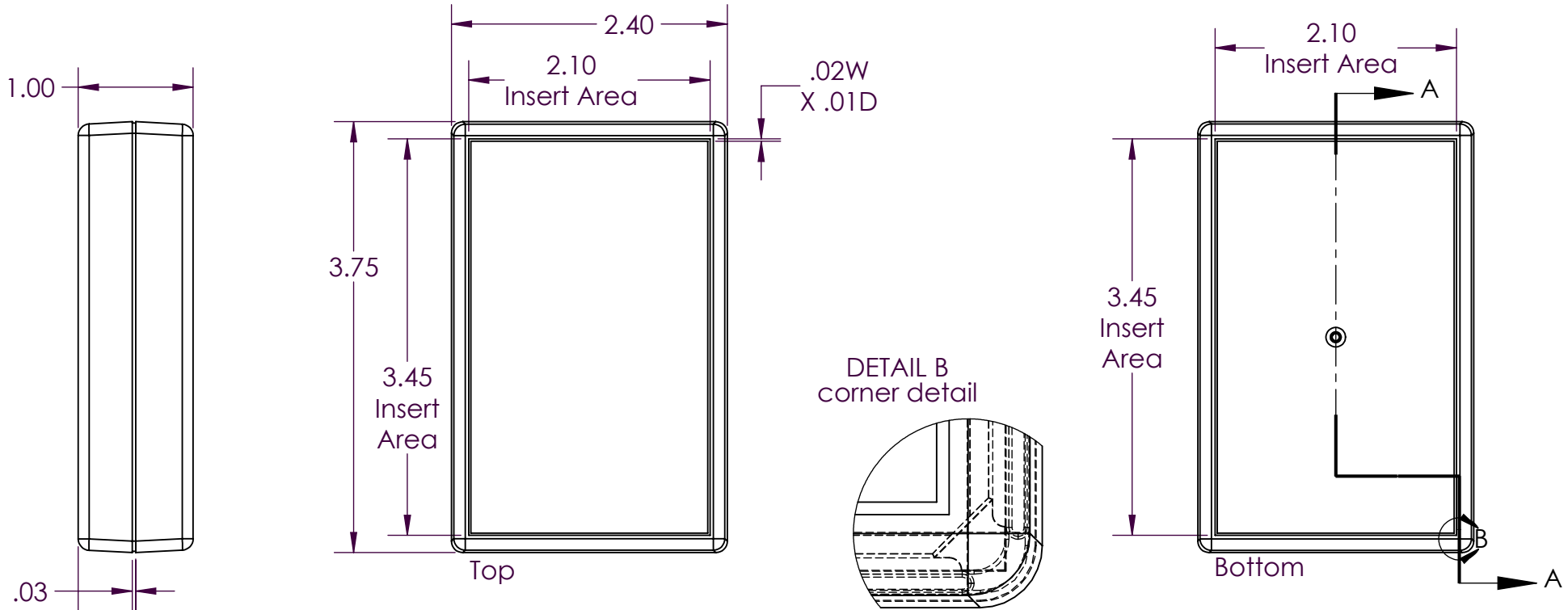


SERPAC C12

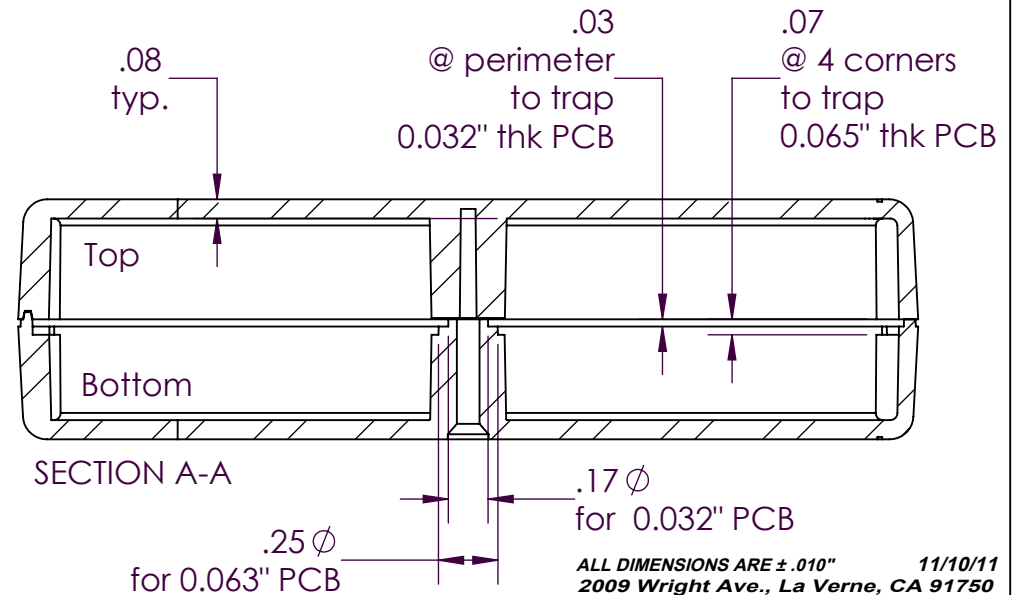
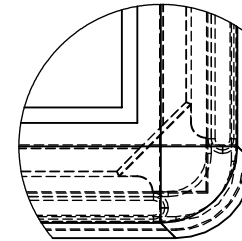
Electronic Enclosures

NOTES:

1) When machine or I-plates modifications are required, use the center of the enclosure to dimension.



DETAIL B
corner detail



Enclosure can hold either a 0.032" PCB or a 0.063" PCB
 PCB dimensions are: (PCB drawings on page 2)
 0.032" [.8mm] PCB 3.64" X 2.28"
 0.063" [1.6mm] PCB 3.58" X 2.23"

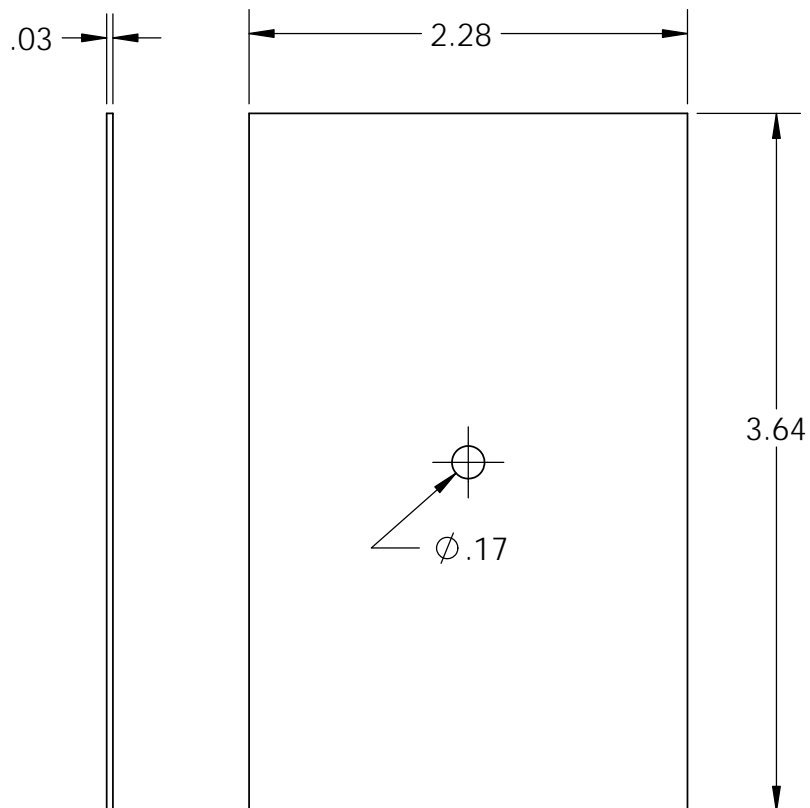
PART NO.	DESCRIPTION	ACCESSORIES	
1009	C4 TOP	PART NO. 55	DESCRIPTION
1010	C4 BOTTOM		KEY HOLDER
6007	SCREW 2x3/4" PHILFLAT H/L (1)		

ALL DIMENSIONS ARE ± .010" 11/10/11
 2009 Wright Ave., La Verne, CA 91750

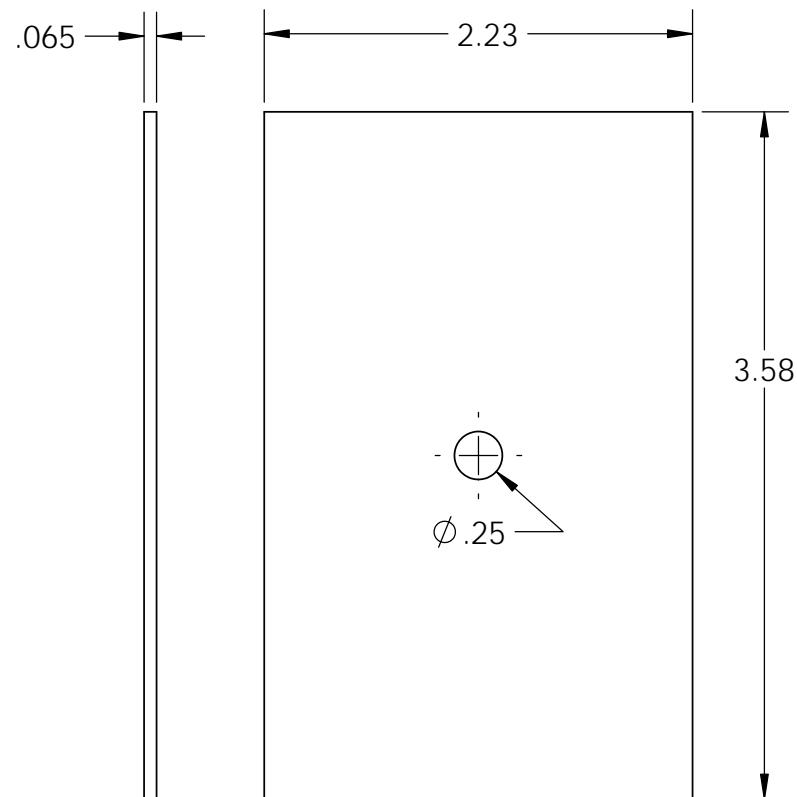
Ph. (626) 331-0517 Fx. (626) 331-8584 www.serpac.com

SERPAC CIRCUIT BOARD C12

Electronic Enclosures



.032 board



.065 board

NOTES:
These are suggested dimensions.
Plastic parts have a ± 0.010 " manufacturing tolerance.

11/14/2011

2009 Wright Ave., La Verne, CA 91750

(626) 331-0517 Fax (626) 331-8584 <http://www.serpac.com>.