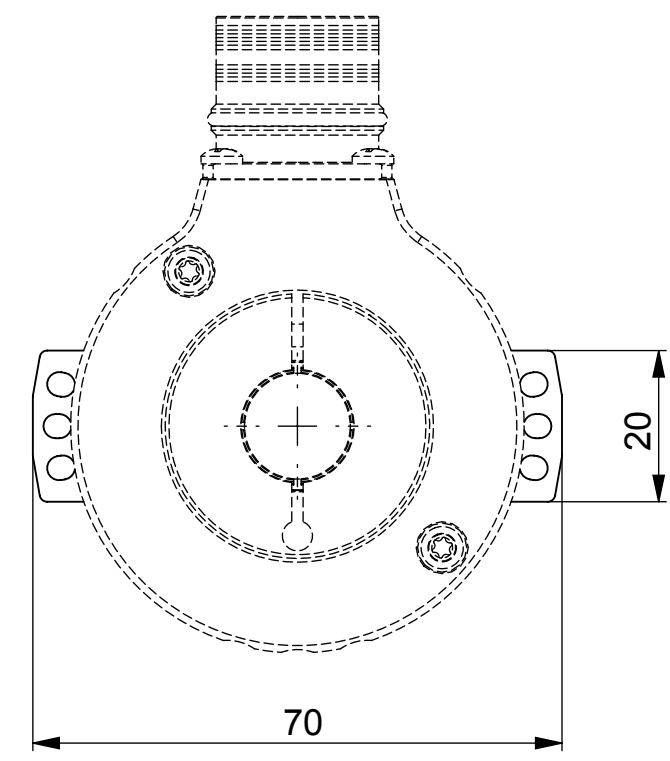
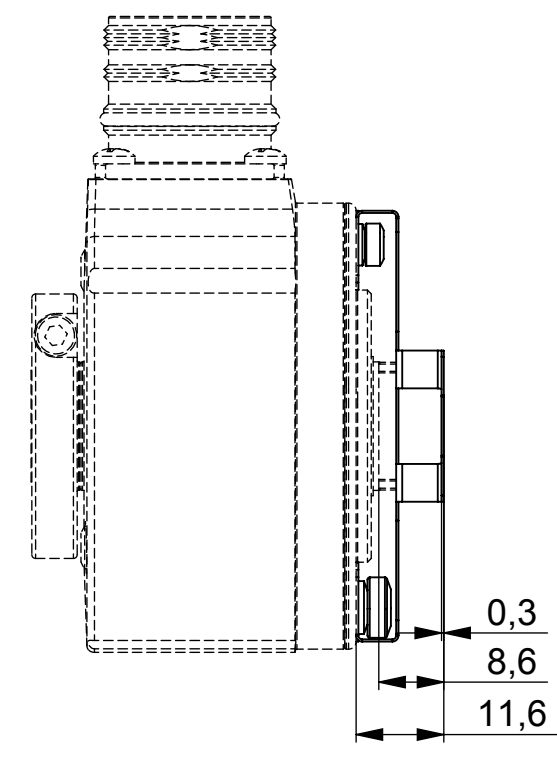
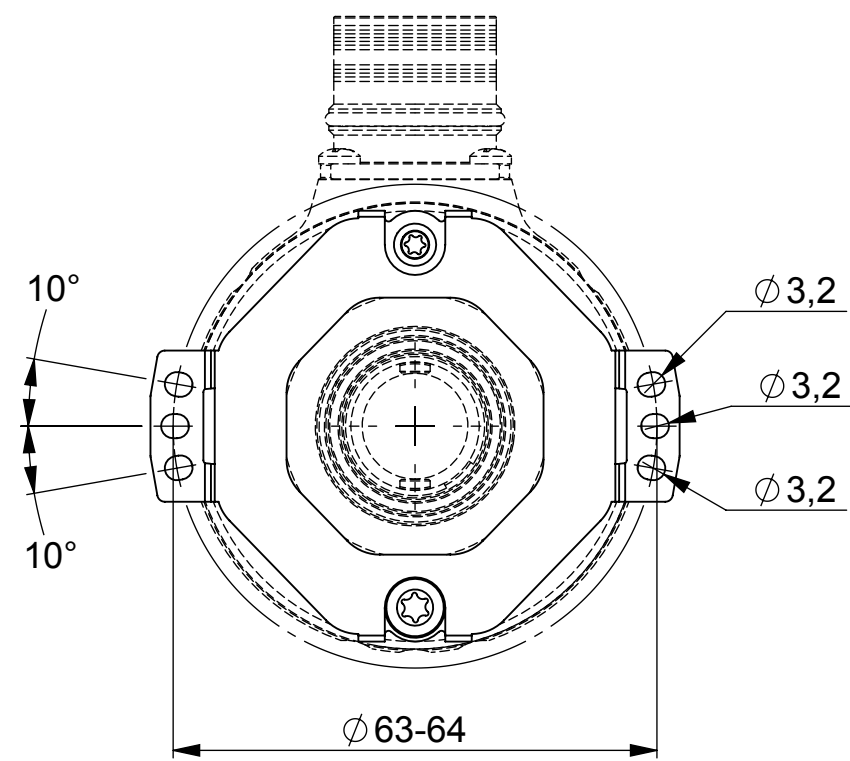


4

3

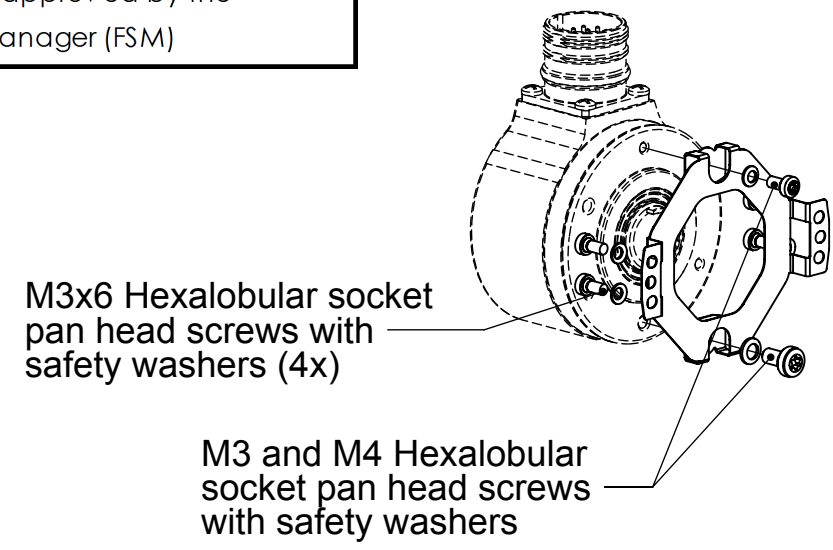
2


1



Functional Safety Product - TÜV certified -
 Toute modification est soumise à l'approbation du FSM
 All modifications must be approved by the
 Functional Safety Manager (FSM)

Ordering reference: **M9445/044**



UNCONTROLLED COPY		 BEI SENSORS SAS Espace Européen de l'Entreprise 9, rue de Copenhague BP 70044 - F 67013 STRASBOURG Cedex Tel : +33 (0)3 88 20 81 40	
FIRST ISSUE DATE : 28/03/2018 DRAWN : RHM APPROVED : JHH DATE : 28/03/2018	SENSATA TECHNOLOGIES PROPRIETARY AND CONFIDENTIAL. NEITHER THIS PRINT NOR THE INFORMATION CONTAINED HEREON IS TO BE USED AGAINST THE INTERESTS OF SENSATA TECHNOLOGIES OR AGAINST THE INTERESTS OF ANY OF ITS AFFILIATED COMPANIES OR WHOLLY OWNED SUBSIDIARIES.		
ECN : . DATE :	UNLESS OTHERWISE SPECIFIED DIMENSIONS ARE IN MILLIMETERS [INCHES] AND ARE INTENDED AS NOMINAL. SEE PRODUCT SPECIFICATION FOR MORE DETAILS.	TITLE DSO5 Stator Coupling kit	
Housing material : Flange material : Coupling material : Stainless Steel	DO NOT SCALE DRAWING EUROPEAN SYSTEM	SIZE A3	DWG NO. M003
		SCALE 1/1	SOLIDWORKS
		SHEET 1 OF 1	REV. A

4

3

2

1

DEVICE: PROJECT: