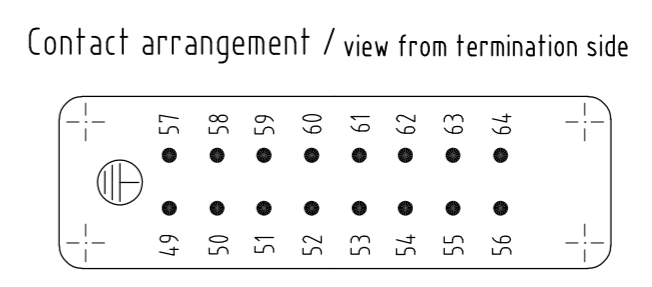
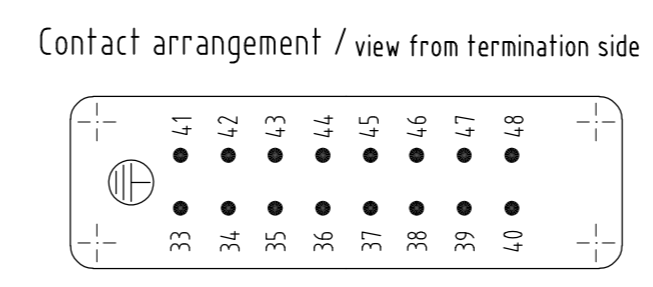
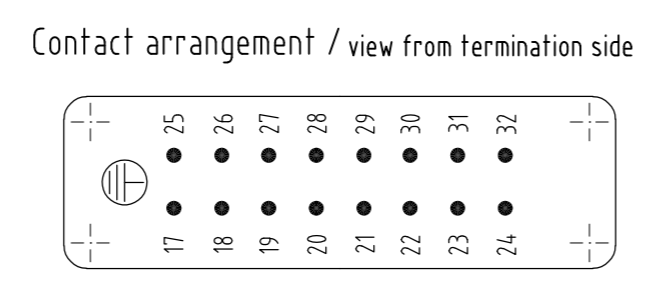
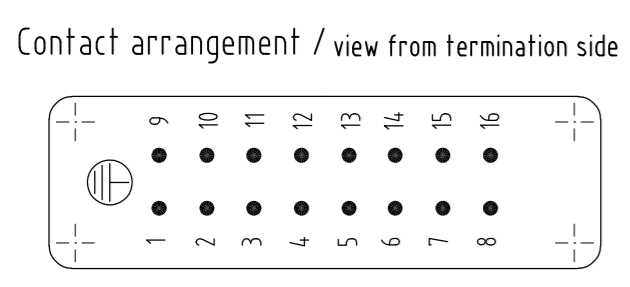
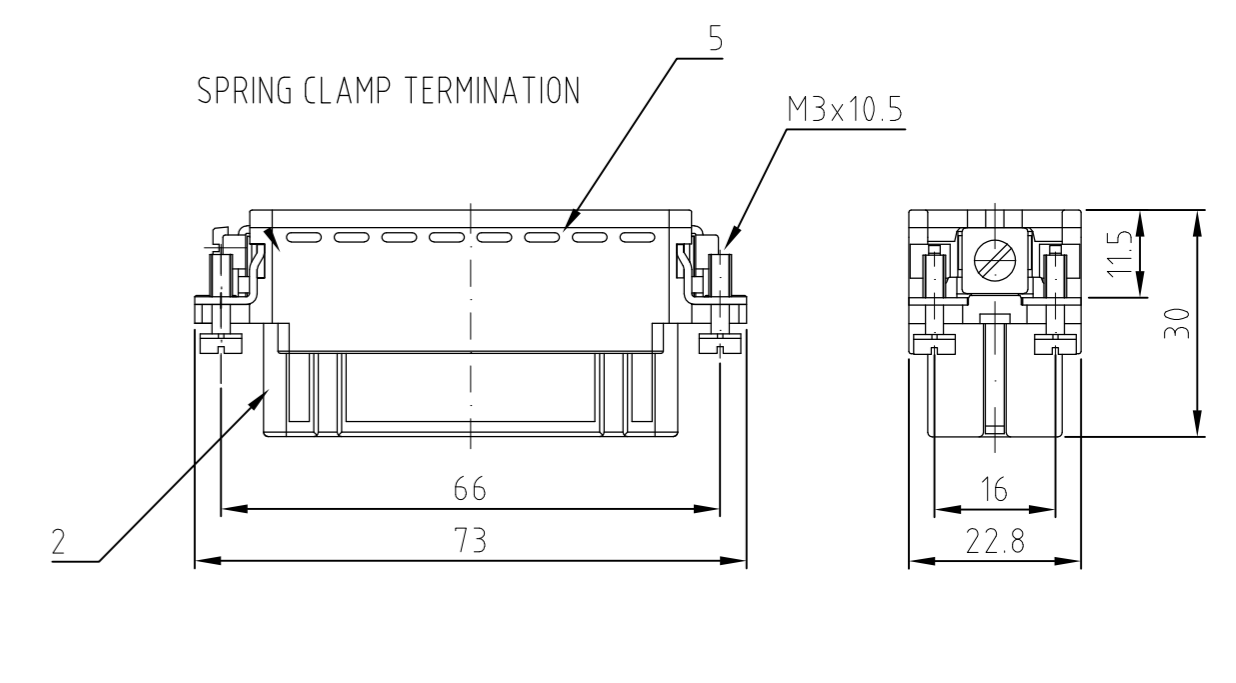
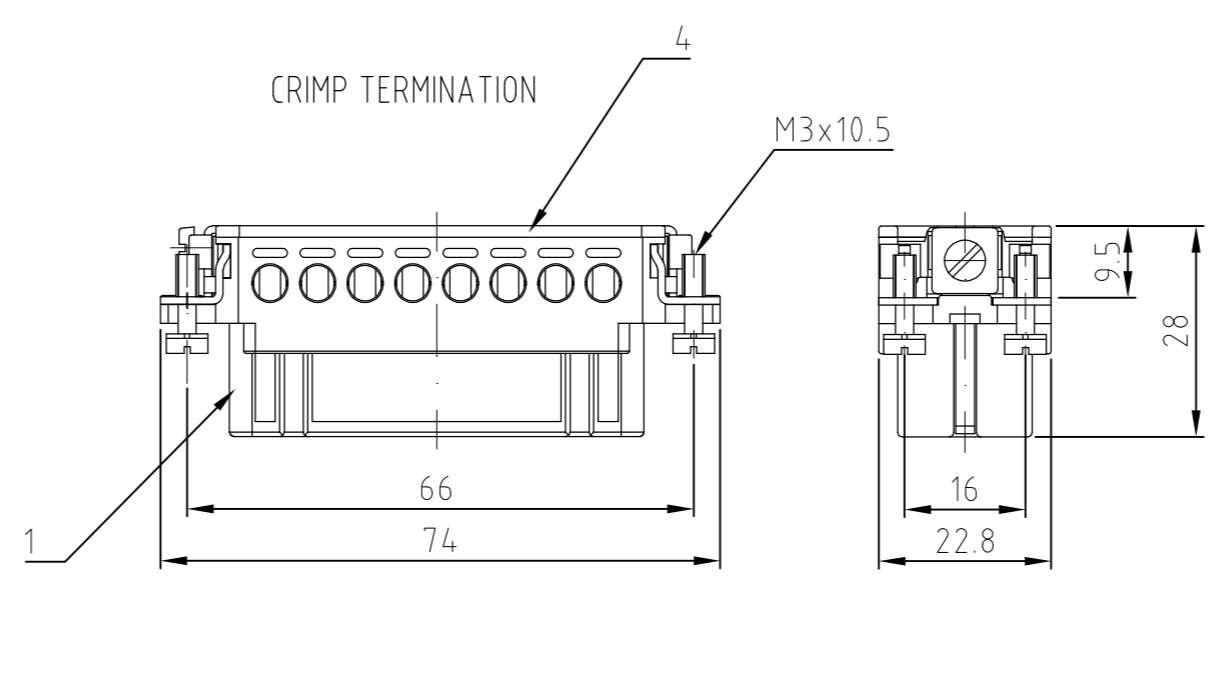
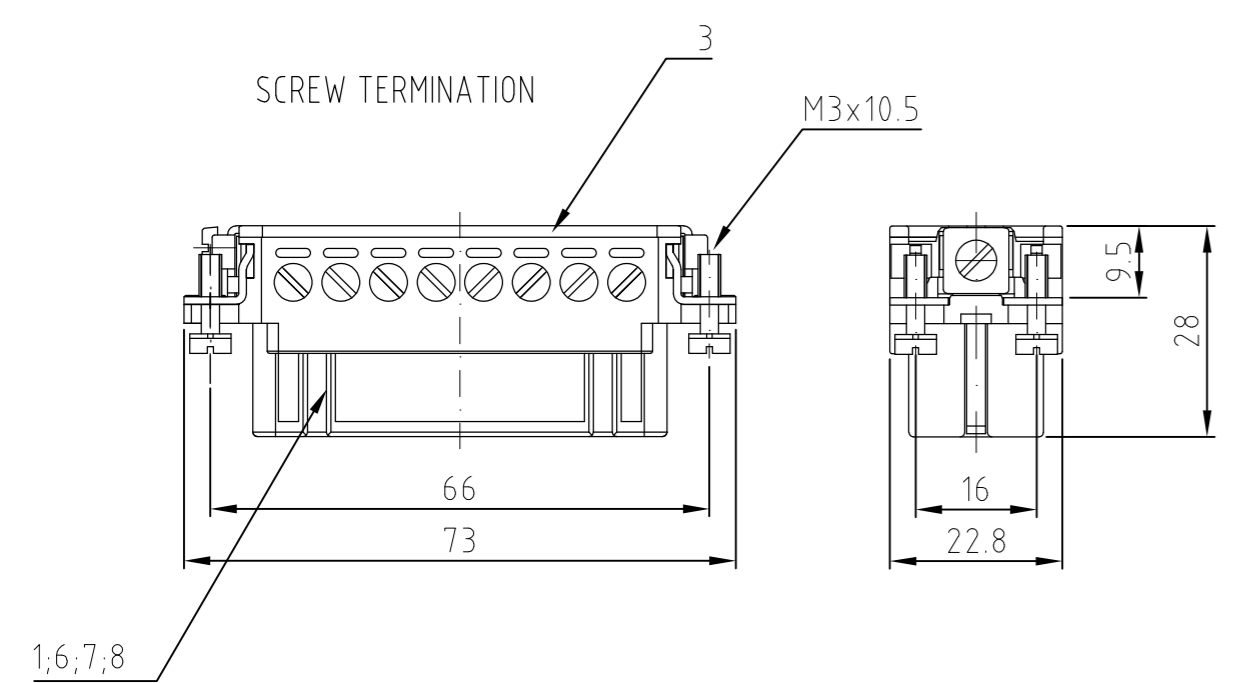
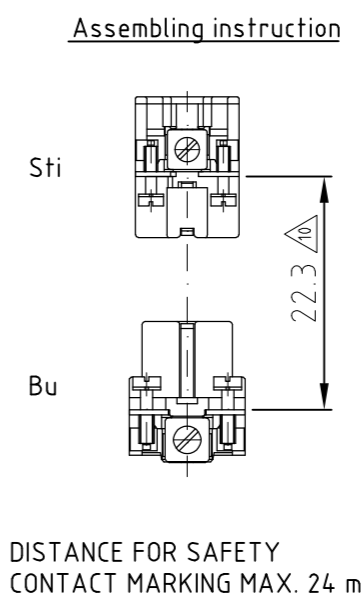
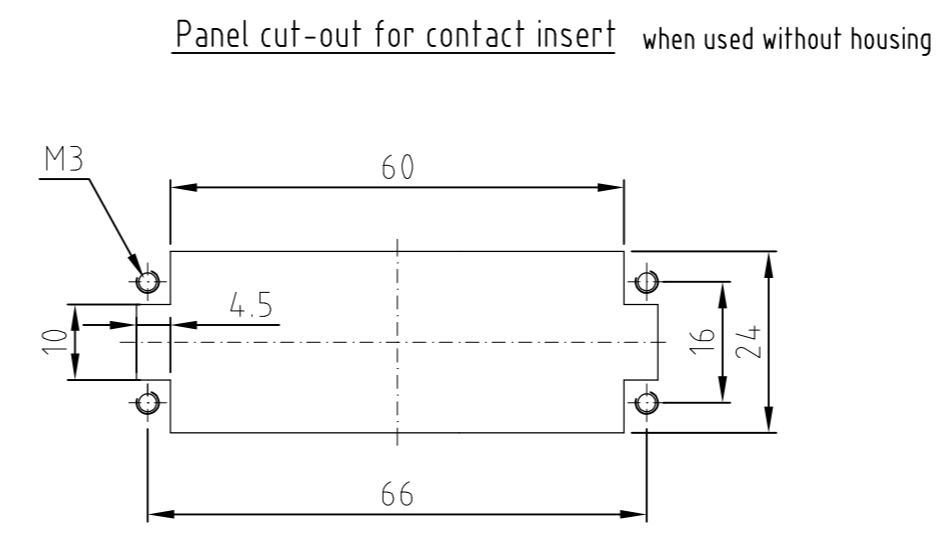


LOC	DIST	REVISIONS					
		P	LTR	DESCRIPTION	DATE	DWN	APVD
AI	-						
PROJEKT NR.:		D2	text for packaging corrected ECR-08-001603		21.01.08	SR	ST



- NOTES:
- SUITABLE CRIMP CONTACTS: SERIES HE/HA
OUTER DIMENSIONS OF INSULATION: MAX. Ø3,2 MM
 - SUITABLE HOOD SIZE 5; 7; 9; 11: SERIES HA; HD
SUITABLE INSERTION AND EXTRACTION TOOL:
SCREWDRIVER 0,5x3 DIN 5264
 - Strip length: Screw conection 10mm
Spring clamp conection 10mm Crimp conection 7,5mm
 - STANDARDS:
DIN EN 61984; DIN EN 60664-1
- PACKAGING:
10 SETS IN A CARTON, PRE-MOUNTED
 - SPECIAL PACKAGING: Krauss-Maffei
PACKAGING UNIT: 300 PIECES
 - SPECIAL PACKAGING: Krauss-Maffei
PACKAGING UNIT: 150 PIECES
 - SPECIAL PACKAGING: AIS
PACKAGING UNIT: 250 PIECES
 - SPECIAL PACKAGING: WIELAND
PACKAGING UNIT: 100 PIECES



QTY	DESCRIPTION / BENENNUNG	MATERIAL	COLOR / FARBE	ITEM NO. POS.	REMARKS / BEMERKUNGEN
1	Socket insert screw	PBT	light beige	8	with stainless steel-fixing screw
1	Socket insert screw	PBT	light beige	7	with stainless steel-fixing screw
1	Socket insert screw	PBT	light beige	6	with AU contact
1	Cover	PBT	light beige	5	
1	Cover	PBT	light beige	4	
1	Cover	PBT	light beige	3	
1	Socket insert spring clamp	PBT	light beige	2	
1	Socket insert crimp screw	PBT	light beige	1	

HA.16.Bu.S.B1-16.WIE	HA.16.Bu.S.B1-16.AIS	HA.16.Bu.S.B17-32.KM	HA.16.Bu.S.B1-16.KM	HA.16.Bu.S-V.A.B 1-16	HA.16.Bu.S-V.A.B 17-32	HA.16.Bu.S-A.U.B 1-16	HA.16.Bu.C.B 49-64	HA.16.Bu.S.B 49-64	HA.16.Bu.S.C.B 49-64	HA.16.Bu.S.C.B 33-48	HA.16.Bu.S.B 33-48	HA.16.Bu.C.B 33-48	HA.16.Bu.S.B 17-32	HA.16.Bu.S.C.B 17-32	HA.16.Bu.C.B 17-32	HA.16.Bu.S.C.B 1-16	HA.16.Bu.C.B 1-16
ORDERING TEXT / BESTELLTEXT																	
<p>THIS DRAWING IS A CONTROLLED DOCUMENT FOR AMP INCORPORATED. IT IS SUBJECT TO CHANGE AND THE CONTROLLING ENGINEERING ORGANIZATION SHOULD BE CONTACTED FOR THE LATEST REVISION. DIESES ZEICHNUNGSDOKUMENT WIRD DURCH AMP INCORPORATED KONTROLLIERT. ÄNDERUNGEN, DIE DEM TECHNISCHEN FORTSCHRITT DIENEN, SIND VORBEHALTEN. DEN JEWELIGS LETZTGESETZTEN ÄNDERUNGSSTAND ERFAHREN SIE AUF ANFRAGE.</p> <p>DIMENSIONS: DIMENSIONEN: mm</p> <p>TOLERANCES UNLESS OTHERWISE SPECIFIED: ALLGEMEINTOLERANZEN</p> <p>0: PLC 1: PLC 2: PLC 3: PLC</p> <p>ANGLES / WINKEL</p> <p>FINISH / OBERFLÄCHE / FARBE</p>																	
<p>DWN Schneider 09.02.2000</p> <p>CHK Schweiger 09.02.2000</p> <p>APVD -</p> <p>PRODUCT SPEC PRODUKTSPEZ 108-74007</p> <p>APPLICATION SPEC VERARBEITUNGSSPEZ. 114-74009</p> <p>WEIGHT GEWICHT -</p> <p>CUSTOMER DRAWING / KUNDENZEICHNUNG</p>																	
<p>HTS Elektrotechnik 53819 Neunkirchen, Germany</p> <p>Tyco Electronics</p> <p>Female insert HA.16.BU.C/S</p> <p>SIZE A2 CAGE CODE 00779 DRAWING NO. ZEICHNUNGS-NR. 1103417 RESTRICTED TO NUR FÜR -</p> <p>SCALE MASSSTAB 1:1 SHEET BLATT 1 OF 1 REV D2</p>																	