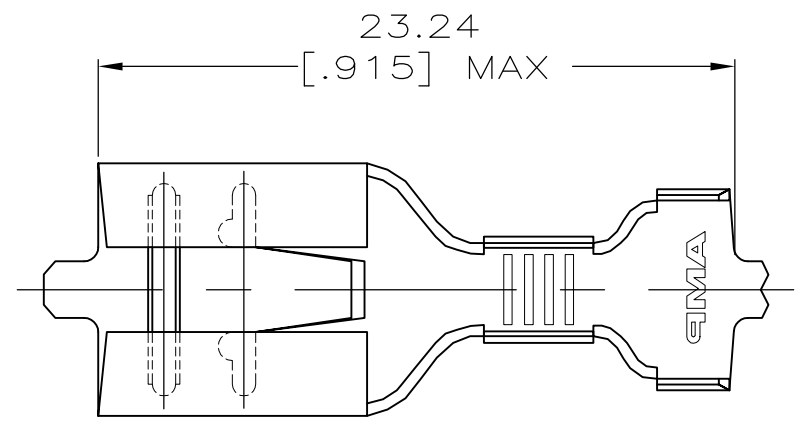
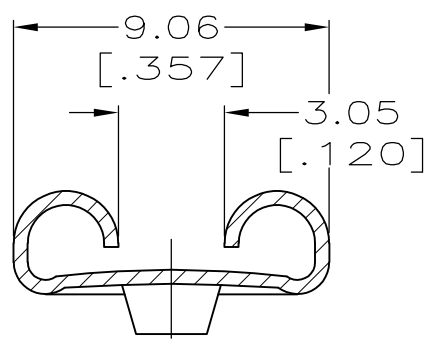


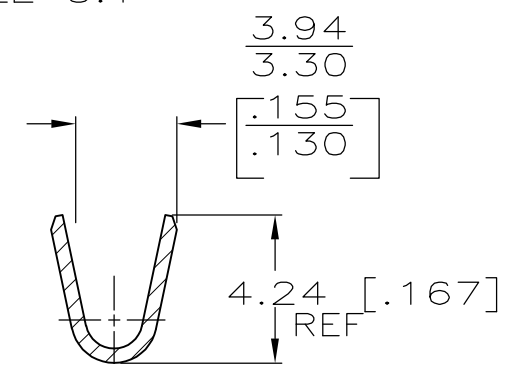
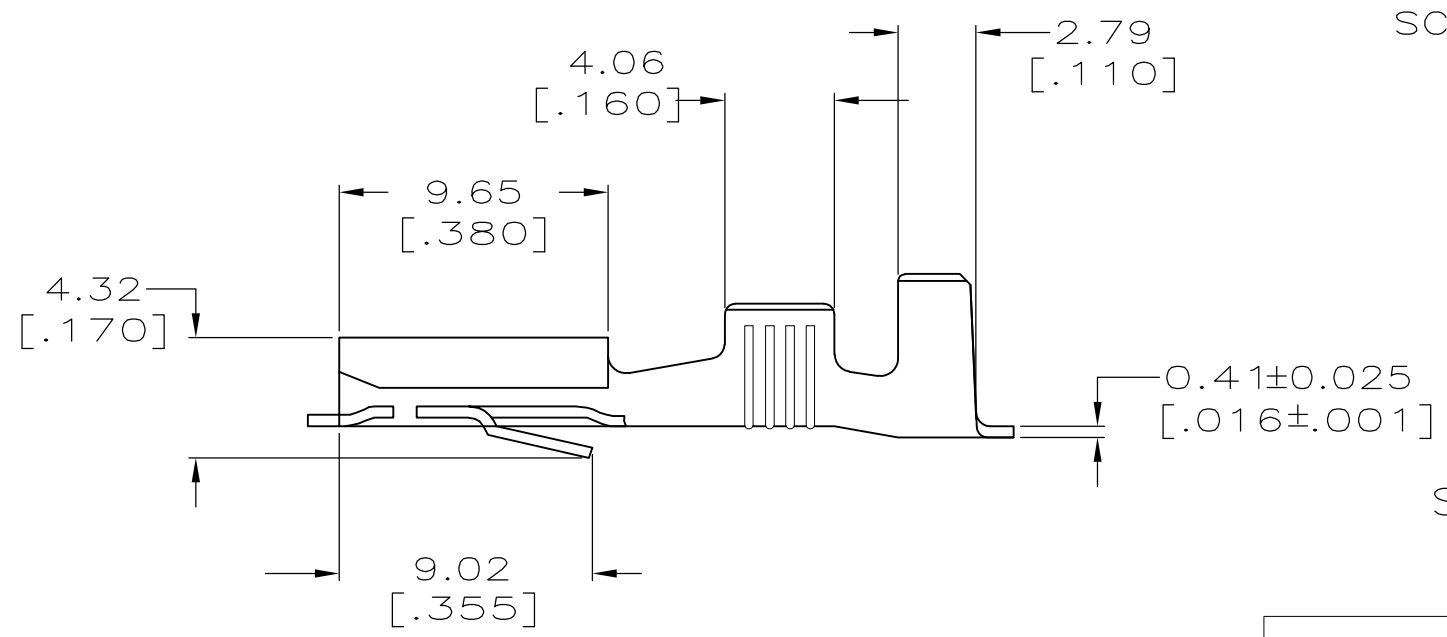
| | | | | | | | |
|-----|------|-----------|-----|---------------------------|---------|-----|------|
| LOC | DIST | REVISIONS | | | | | |
| AF | 50 | P | LTR | DESCRIPTION | DATE | DWN | APVD |
| | | | H | REVISED PER ECR-11-018063 | 21DEC11 | KH | PD |



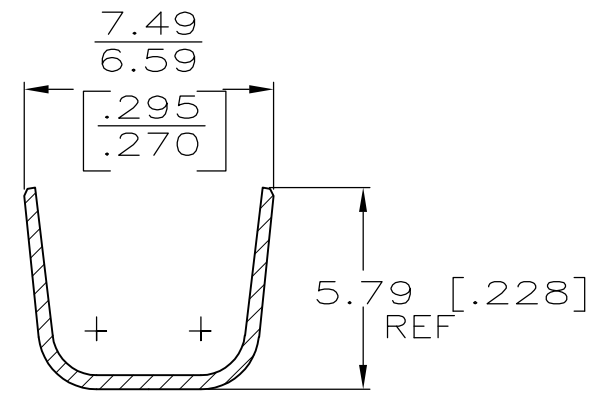
1 CONTINUOUS STRIP ON REELS.



SECTION A-A
SCALE 5:1



SECTION B-B
SCALE 5:1



SECTION C-C
SCALE 5:1

| | | | |
|---|---------------|---------------------------------|---------|
| 4.06 MAX OR (2) 3.30 DIA [.160 MAX OR (2).130 MAX] | [#16-#12] AWG | 0.81 [.032] | 42663-2 |
| INSUL RANGE | WIRE SIZE | MATING TAB THK ±0.025 [.001] | PART NO |

| | | | | | | |
|---|---------------|--------------------------------|--|--------------------|-----------------------|--------------------|
| THIS DRAWING IS A CONTROLLED DOCUMENT. | | DWN JR RUTH 2/15/94 | TE Connectivity | | | |
| DIMENSIONS: mm [INCHES] | | CHK MS FEHER 2/15/94 | | | | |
| TOLERANCES UNLESS OTHERWISE SPECIFIED: | | APVD J GILLESPIE 2/15/94 | NAME RECEPTACLE, FASTIN-FASTON, 7.92 [.312] SERIES | | | |
| 0 PLC ± - 1 PLC ± - 2 PLC ± 0.38 [.015] 3 PLC ± - 4 PLC ± - ANGLES ± - | | PRODUCT SPEC - | | | | |
| MATERIAL 4M BRASS | FINISH TIN | APPLICATION SPEC - | SIZE A3 | CAGE CODE 00779 | DRAWING NO C-42663 | RESTRICTED TO - |
| CUSTOMER DRAWING | | | SCALE 4:1 | SHEET 1 of 1 | REV H | |