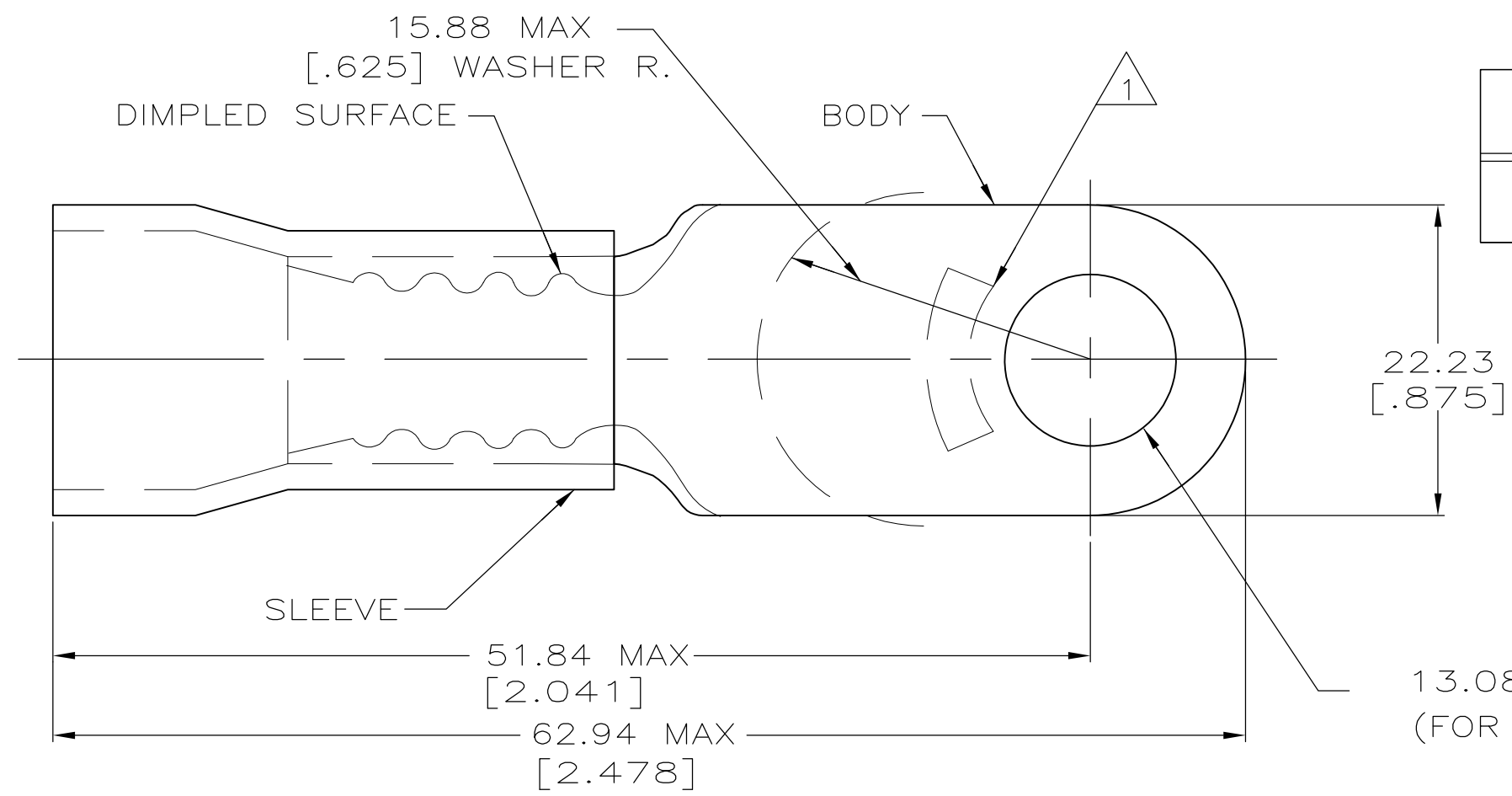


THIS DRAWING IS UNPUBLISHED. RELEASED FOR PUBLICATION
 © COPYRIGHT BY TYCO ELECTRONICS CORPORATION. ALL INTERNATIONAL RIGHTS RESERVED.

LOC	DIST	REVISIONS					
G	14	P	LTR	DESCRIPTION	DATE	DWN	APVD
		D1		REVISED PER ECO-11-002228	11FEB11	HMR	DR



AMP WIRE RANGE	RU FILE E13288	SP LR7189 Certified
1/0 AWG STRANDED	1/0 AWG STRANDED	1/0 AWG STRANDED

- 1 STAMP AMP 1/0 W* LOCATE APPROX AS SHOWN
- 2 TONGUE MATERIAL THK 1.78±0.08[.070±.003]
- 3 WIRE INSULATION DIA 17.37[.684] MAX

50	LOOSE PC	52289
QTY	PACKAGE TYPE	PART NO

AMP INCORPORATED CUSTOMER SERVICE SYSTEMS		MAX RECOMMENDED OPERATING TEMPERATURE: 105° C
FOR ADDITIONAL PRODUCT INFORMATION OR COPIES OF DRAWINGS AND TECHNICAL DOCUMENTS	PRODUCT INFORMATION CENTER 1-800-522-6752	VOLTAGE RATING: 600 V MAX
FOR APPLICATION TOOLING INFORMATION	TOOLING ASSISTANCE CENTER 1-800-722-1111	CIRCULAR MIL AREA: 42.41-60.55mm ² [83,700-119,500] STRANDED
FOR ORDER ENTRY	1-800-526-5142	THIS DRAWING IS A CONTROLLED DOCUMENT FOR AMP INCORPORATED. IT IS SUBJECT TO CHANGE AND THE CONTROLLING ENGINEERING ORGANIZATION SHOULD BE CONTACTED FOR THE LATEST REVISION.

THIS DRAWING IS A CONTROLLED DOCUMENT.	
DIMENSIONS: mm [INCHES]	TOLERANCES UNLESS OTHERWISE SPECIFIED:
	0 PLC ± - 1 PLC ± - 2 PLC ± 0.20[.008] 3 PLC ± - 4 PLC ± - ANGLES ± -
MATERIAL COPPER PER ASTM B-152 PVC, COLOR: BLUE	FINISH TIN PLATE PER ASTM-B545

DWN S.S. GOULDEN 9-29-93	Tyco Electronics Tyco Electronics Corporation Harrisburg, PA 17105-3608	NAME	TERMINAL, RING TONGUE, PLASTI-GRIP, WIRE SIZE: 1/0 AWG							
CHK R. HERSEY 9-29-93		APVD B. BARE 9-29-93	SIZE	CAGE CODE	DRAWING NO	RESTRICTED TO				
PRODUCT SPEC		NOT AVAILABLE	114-2161	A3	00779	G-52289	-			
APPLICATION SPEC		114-2161	WEIGHT	-	CUSTOMER DRAWING	SCALE	4:1	SHEET	1 OF 1	REV