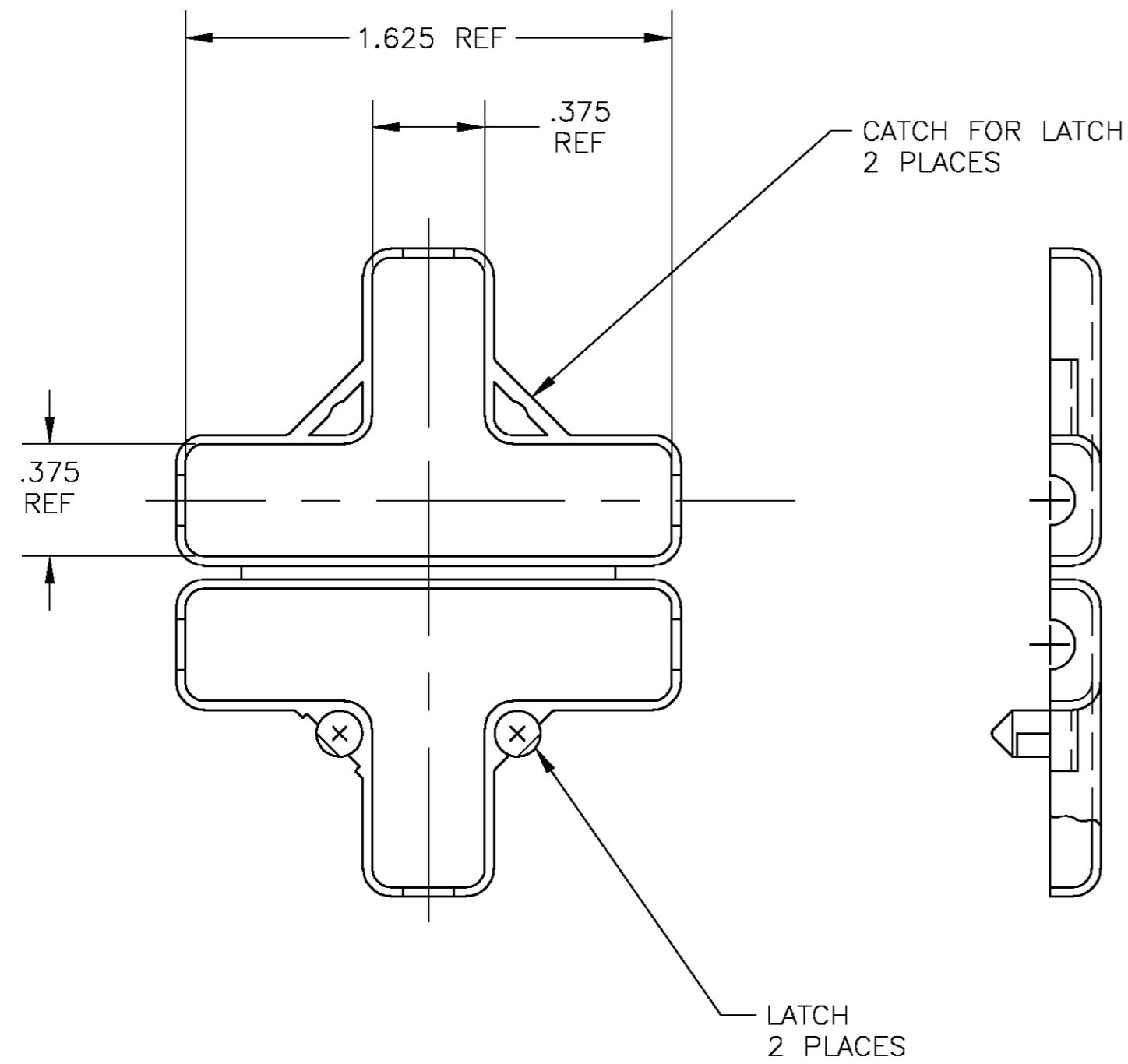
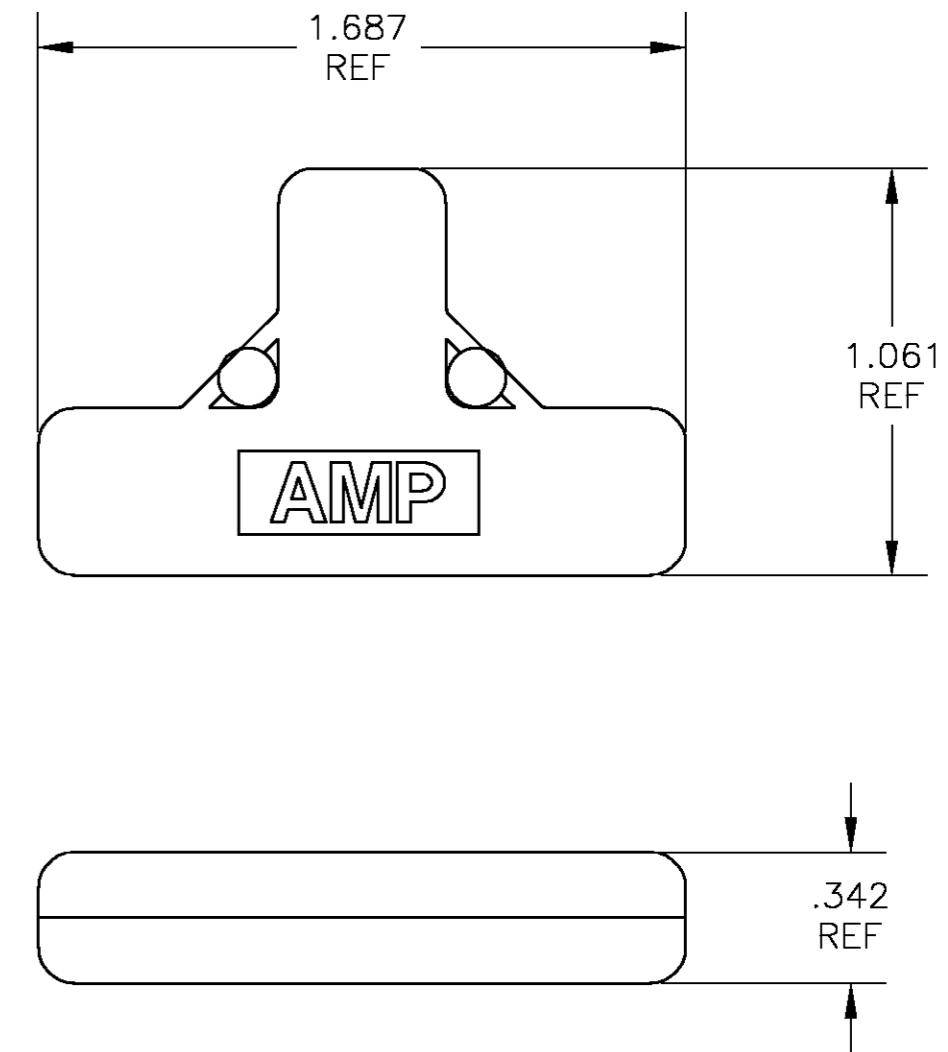


THIS DRAWING IS UNPUBLISHED. RELEASED FOR PUBLICATION
 © COPYRIGHT BY TYCO ELECTRONICS CORPORATION. ALL RIGHTS RESERVED.

LOC	DIST	REVISIONS					
		P	LTR	DESCRIPTION	DATE	DWN	APVD
G	86	0		DRAWN	-	-	-



OPENED CONFIGURATION



CLOSED CONFIGURATION

YES	LAWSON LOGO	604596-6
-	KARR LOGO	604596-5
YES	LAWSON LOGO	604596-4
-	AMP LOGO	604596-3
-	LAWSON LOGO	604596-1
SPECIAL PACKAGING	LOGO TYPE	PART NO.

THIS DRAWING IS A CONTROLLED DOCUMENT.		DWN jr ruth 30SEP04	Tyco Electronics Corporation Harrisburg, Pa 17105-3608	
DIMENSIONS: INCHES		CHK T MICHIELUTTI 30SEP04	NAME TAP COVER, 16-14	
TOLERANCES UNLESS OTHERWISE SPECIFIED: 0 PLC ± - 1 PLC ± - 2 PLC ± - 3 PLC ± .008 4 PLC ± - ANGLES ± 5°		APVD T MICHIELUTTI 30SEP04	PRODUCT SPEC -	
MATERIAL TYPE 6 NYLON		FINISH COLOR - BLUE	APPLICATION SPEC -	RESTRICTED TO -
WEIGHT -		SIZE A2	CAGE CODE 00779	DRAWING NO C=604596
CUSTOMER DRAWING		SCALE 2:1	SHEET 1 OF 1	REV 0