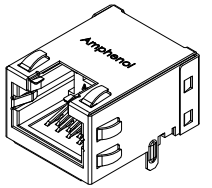
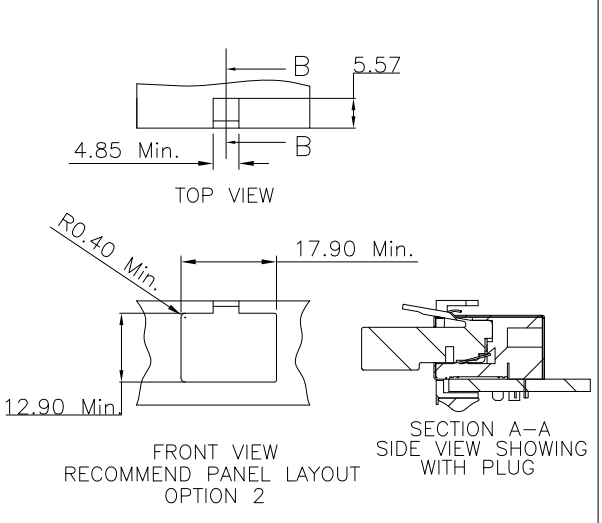
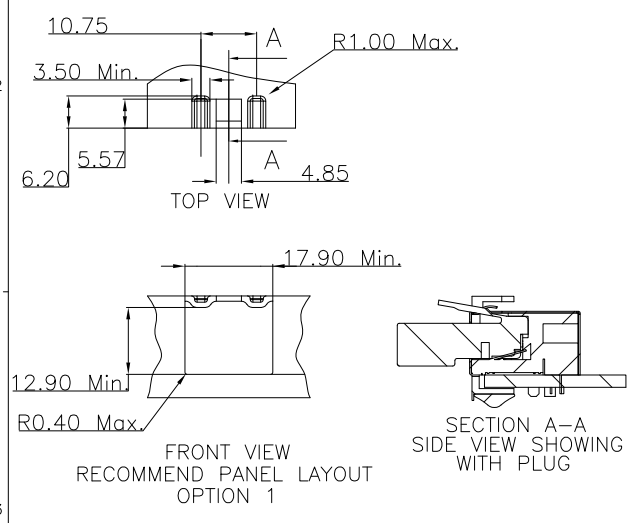


REVISIONS			
REV	ECN, ERN NO.	DATE	APPRD.
A	PROPOSAL DRAWING	JUL22/13	A.G.

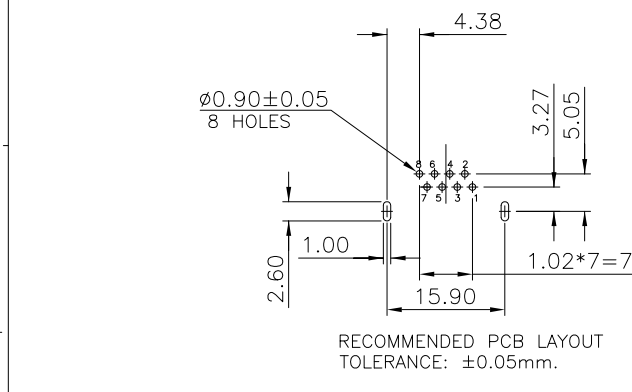


- NOTES:
- ELECTRICAL:**
- VOLTAGE RATING : 125 VAC.
  - CURRENT RATING : 1.25 AMP.
  - INSULATING RESISTANCE : 500 MEGOHMS MINIMUM.
  - DIELECTRIC STRENGTH : 1000 VAC 60Hz, 1MIN.
  - CATEGORY 5E CHARACTERISTIC:

FREQUENCY MHz	NEAR-END CROSSTALK dB, MIN.	RETURN LOSS dB, MIN.	ATTENUATION dB, MAX.
1.0	65	30	0.1
4.0	65	30	0.1
8.0	64.9	30	0.1
10.0	63	30	0.1
16.0	58.9	30	0.2
20.0	57	30	0.2
25.0	55	30	0.2
31.25	53.1	30	0.2
62.5	47.1	24.1	0.3
100.0	43	20	0.4



- MECHANICAL:**
- SHIELD : STAINLESS STEEL, WITH TIN-DIP ON SOLDER TABS.
  - HOUSING : HIGH TEMP THERMOPLASTIC. UL 94V-0.
  - INSERT : HIGH TEMP THERMOPLASTIC UL 94V-0.
  - PCB : FR-4.
  - CONTACT : PHOSPHOR BRONZE.  
30u" SELECTIVE GOLD PLATING FOR MATING SURFACE,  
50u" NICKEL UNDERPLATE  
100u" MATTE TIN PLATING ON CONTACT SOLDER TAIL.
- ENVIRONMENTAL:**
- STORAGE : -40° TO +85°.
  - OPERATION : -40° TO +85°.
- MATES WITH MODULAR PLUG CONFORMING TO FCC PART 68, SUBPART F.  
RECOMMENDED SOLDER PROCESS: WAVE SOLDER, PEAK TEMPERATURE 260° FOR 10 SECOND.



AMPHENOL PART NUMBER: RJE48-188-1X01  
GOLD PLATING OPTION

1=6u" [0.15 MICRONS] GOLD PLATING  
2=15u" [0.38 MICRONS] GOLD PLATING  
3=30u" [0.76 MICRONS] GOLD PLATING  
4=50u" [1.27 MICRONS] GOLD PLATING

THIS DOCUMENT CONTAINS PROPRIETARY INFORMATION AND SUCH INFORMATION MAY NOT BE DISCLOSED TO OTHERS FOR ANY PURPOSE OR USED FOR MANUFACTURING PURPOSES WITHOUT WRITTEN PERMISSION FROM AMPHENOL CANADA CORP.

UNLESS OTHERWISE SPECIFIED		DRAWN <i>B.COPPING</i>	DATE <i>JUL18/13</i>
DIMENSION ARE IN mm		DESIGNED	
FRACTION DECIMALS ANGLES		CHECKED <i>A.GREEN</i>	DATE <i>JUL22/13</i>
.X ±0.50	X° ±3.0°	I. E. APPRD.	
.XX ±0.30	.X° ±2.0°	Q. A. APPRD.	
.XXX ±0.10	.XX° ±1.0°	DWG. APPRD.	
3rd ANGLE PROJECTION		ENG. REL. NO.	
		REF.	
		DIMENSIONS ARE IN <i>mm</i>	CODE ID. NO. <i>03554</i>

**Amphenol Canada Corp.**

TITLE  
MODULAR JACK, SINGLE PORTS, 8 POSITIONS, 8 CONTACTS, SHIELDED WITH TOP & SIDE TABS, NO LEDS, TAB UP, CAT5E

DWG. DRAWING NO. *P-RJE48-188-1X01*

SCALE *4/1* WT. \_\_\_\_\_ SURF. \_\_\_\_\_ SHEET *1* OF *1*