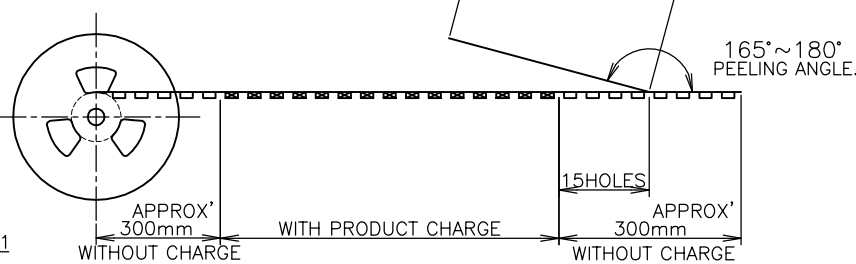
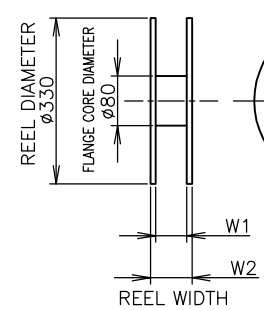
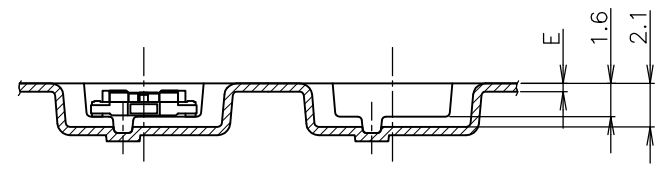
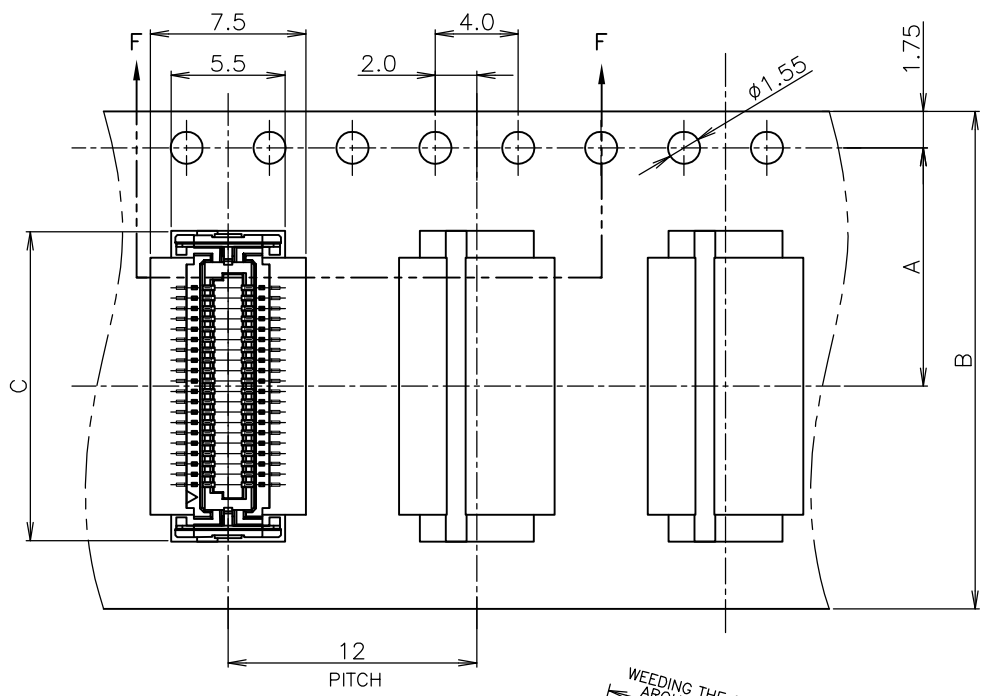


LOC	DIST	REVISIONS					
J		P	LTR	DESCRIPTION	DATE	DWN	APVD
		O	RELEASED	FJB0-1356-04	08NOV04	J.Z	I.E



LEAD FREE

28.4	24.4	0.4	15.0	24	11.5	1500	40	4-5353687-0
28.4	24.4	0.4	12.5	24	11.5	1500	30	3-5353687-0
28.4	24.4	0.4	10.0	24	11.5	1500	20	2-5353687-0
W ₂	W ₁	E	C	B	A	QTY/REEL POS		TAPING P/N

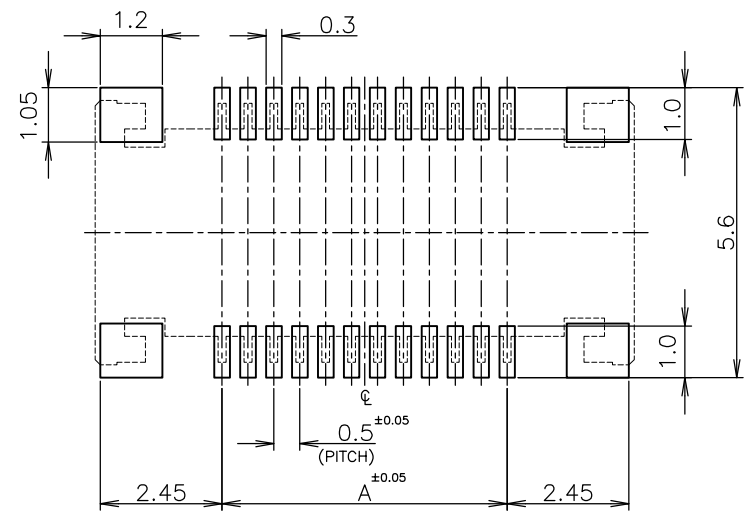
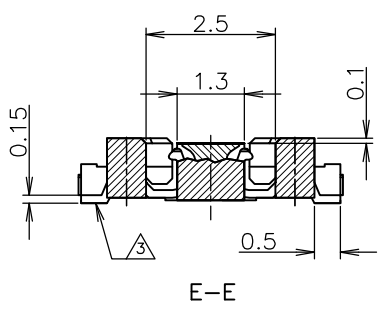
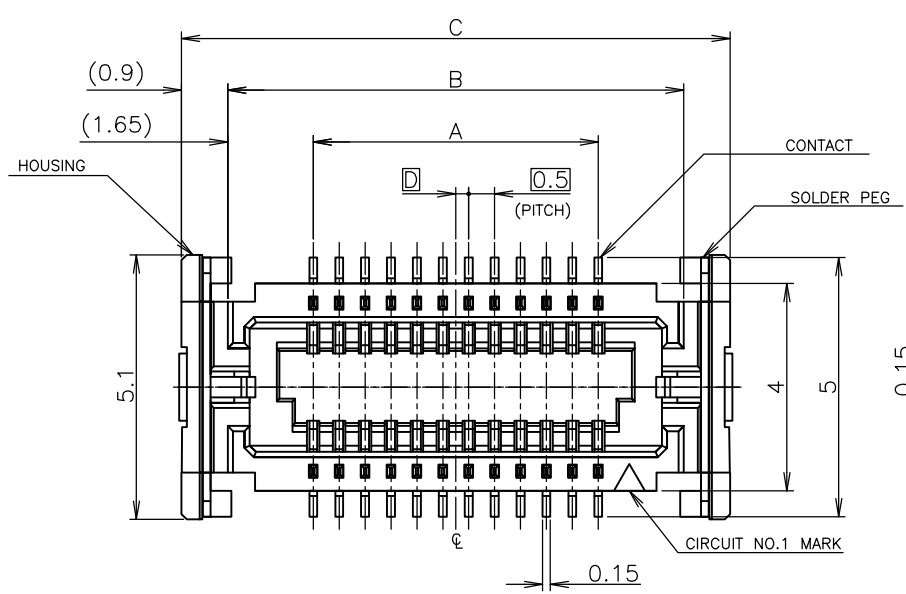
INSTRUCTION SHEET
411-5781

THIS DRAWING IS A CONTROLLED DOCUMENT.		DWN	08NOV04	tyco Electronics	Tyco Electronics AMP K.K.	
		CHK	08NOV04		Kawasaki, Japan	
		APVD	08NOV04	NAME	ON TAPING (EMBOSS)	
		PRODUCT SPEC		Ikuro Enomoto	0.5mm PITCH FS CONN. RECEPTACLE ASSEMBLY	
		APPLICATION SPEC		108-60048	WITH KEY & WITHOUT BOSS & POLYIMIDE FILM	
		WEIGHT		SIZE	CAGE CODE	DRAWING NO
				A3	00779	C-5353687
		CUSTOMER DRAWING		SCALE	SHEET	REV
				4:1	1 OF 2	0

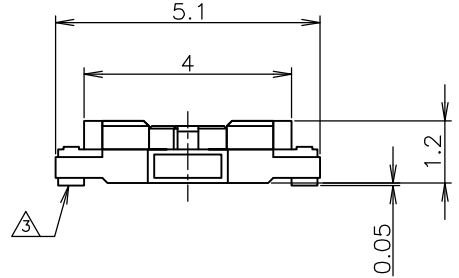
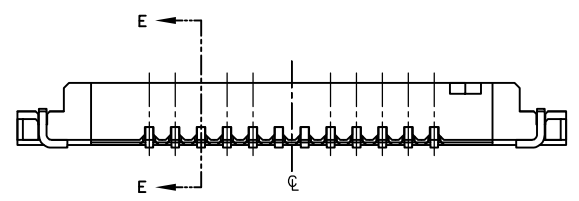
DIMENSIONS:		TOLERANCES UNLESS OTHERWISE SPECIFIED:	
MM			
	0 PLC	± 0.2	
	1 PLC	± 0.2	
	2 PLC	± 0.2	
	3 PLC	± 0.2	
	4 PLC	± 0.2	
	ANGLES	± 3'	

THIS DRAWING IS UNPUBLISHED. RELEASED FOR PUBLICATION DEC. 1996.
 © COPYRIGHT 1996 BY TYCO ELECTRONICS CORPORATION. ALL RIGHTS RESERVED.

LOC	DIST	REVISIONS					
J		P	LTR	DESCRIPTION	DATE	DWN	APVD
		-		SEE SHEET 1	-	-	-



(T=0.6 MIN.)
P.C. BOARD LAYOUT (REF.)



LEAD FREE

- 1 MATING COUNTER PART NUMBER : 5353688
- △ MATERIAL
HOUSING : HIGH HEAT-RESISTED
CONTACT : COPPER ALLOY (t=0.15), Au-PLT
SOLDER PEG : COPPER ALLOY (t=0.15), TIN-PLT
- △ MISALIGNMENT BETWEEN TINE & SOLDER PEG : 0.1mm MAX.

0.25	14.6	12.8	9.5	40	4-5353687-0
---	12.1	10.3	7	30	3-5353687-0
0.25	9.6	7.8	4.5	20	2-5353687-0
D	C	B	A	Pos.	PART NO.

THIS DRAWING IS A CONTROLLED DOCUMENT.

DIMENSIONS:		TOLERANCES UNLESS OTHERWISE SPECIFIED:	
MM		0 PLC	± 0.2
		1 PLC	± 0.2
		2 PLC	± 0.2
		3 PLC	± 0.2
		4 PLC	± 0.2
		ANGLES	± 3°
MATERIAL		FINISH	

INSTRUCTION SHEET 411-5781	WIRE RANGE -	INSULATION DIA -
DWN Julyee Zhu 08NOV04	CHK Steven Yao 08NOV04	APVD Ikuo Enomoto 08NOV04
Tyco Electronics		Tyco Electronics AMP K.K. Kawasaki, Japan
NAME ON TAPING (EMBOSS) 0.5mm PITCH FS CONN. RECEPTACLE ASSEMBLY WITH KEY & WITHOUT BOSS & POLYIMIDE FILM		
PRODUCT SPEC 108-60048	SIZE A3	CAGE CODE 00779
APPLICATION SPEC	DRAWING NO C=5353687	RESTRICTED TO -
WEIGHT	CUSTOMER DRAWING	SCALE 10:1
		SHEET 2 OF 2
		REV 0