

CGB2A1X5R0J225M033BC

TDK Item Description : CGB2A1X5R0J225MT***

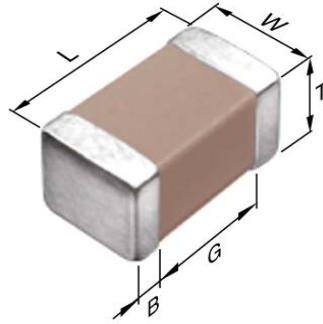


Application & Main Feature

Commercial Grade (Low Profile)

Series

CGB2(1005) [EIA CC0402]



Dimensions

L 1.00mm +/-0.15mm
 W 0.50mm +/-0.15mm
 T 0.33mm Max.
 B 0.10mm Min.
 G 0.30mm Min.

Temperature Characteristic

X5R (-55 to 85 degC +/-15%)

Rated Voltage

0J (6.3Vdc)

Capacitance

2.2uF

Capacitance Tolerance

M (+/-20%)

Dissipation Factor

10% Max.

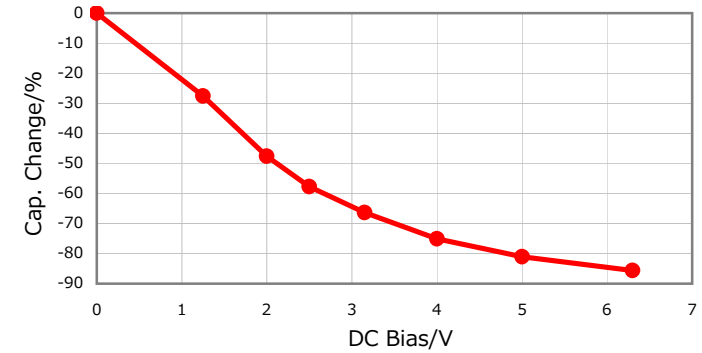
Insulation Resistance

45Mohm Min.

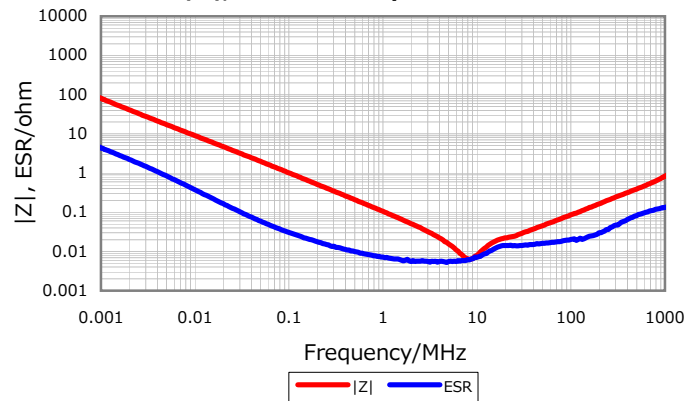
AEC-Q200

Not Applicable

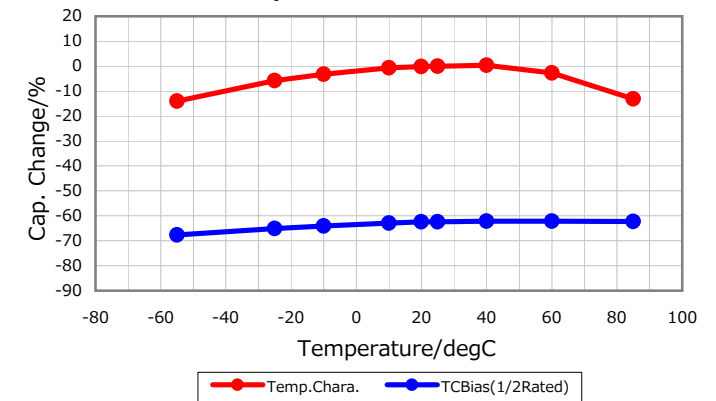
DC Bias Characteristic



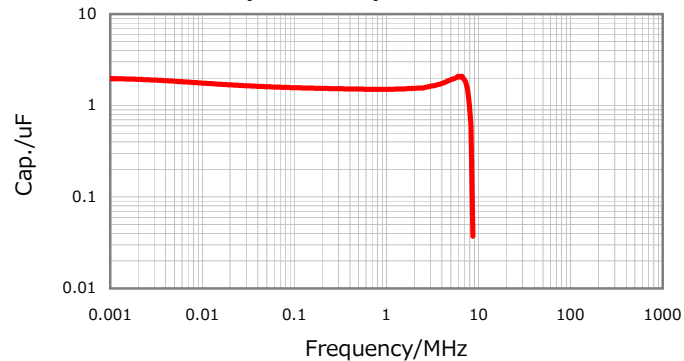
|Z|, ESR vs. Freq. Characteristics



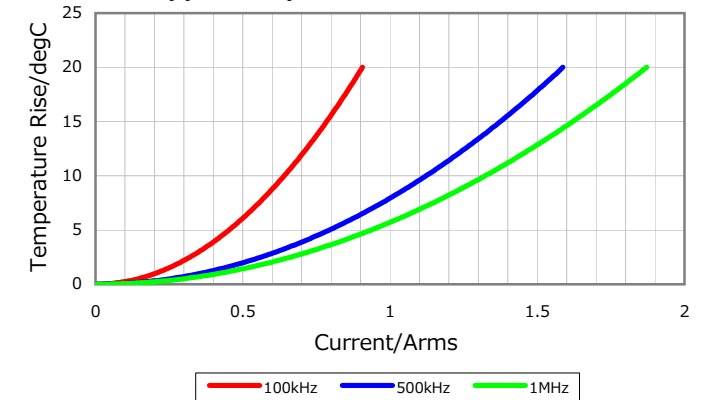
Temperature Characteristics



Cap. vs. Freq. Characteristic



Ripple Temperature Rise Characteristics



Characterization Sheet (Multilayer Ceramic Chip Capacitors)



All specifications are subject to change without notice.

January 4, 2016