

PLEASE CHECK WWW.MOLEX.COM FOR LATEST PART INFORMATION

Part Number: [0352821010](#)
Status: **Active**
Description: 2.28mm Tab Wire-to-Wire Uniconn Housing, Male, 10 Circuits

Documents:

[3D Model](#) [Product Specification PS-35282-001 \(PDF\)](#)
[Drawing \(PDF\)](#) [RoHS Certificate of Compliance \(PDF\)](#)

General

Product Family	Crimp Housings
Series	35282
Application	Power, Wire-to-Wire
Product Name	Uniconn

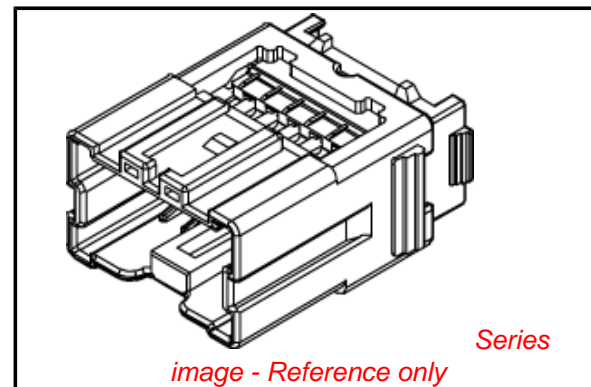
Physical

Circuits (maximum)	10
Color - Resin	Black, Natural
Gender	Male
Glow-Wire Compliant	No
Material - Resin	Polyester
Number of Rows	2
Packaging Type	Bag
Panel Mount	No
Pitch - Mating Interface	3.81mm
Temperature Range - Operating	-40°C to +80°C

Material Info

Reference - Drawing Numbers

Product Specification	PS-35282-001
Sales Drawing	SD-35282-1010



EU RoHS

ELV and RoHS Compliant
REACH SVHC
Contains SVHC: Yes

China RoHS



Tris(2-chloroethyl)phosphate (TCEP)
Diarsenic pentaoxide
Diarsenic trioxide
2,4-Dinitrotoluene
Aluminosilicate,
Refractory ceramic fibers
Zironia
Aluminosilicate,
Refractory ceramic fiber

Low-Halogen Status

Low-Halogen

Need more information on product environmental compliance?

Email productcompliance@molex.com
For a multiple part number RoHS Certificate of Compliance, [click here](#)

Please visit the [Contact Us](#) section for any non-product compliance questions.

Search Parts in this Series

[35282Series](#)

Mates With

[35284](#)

Use With

[35420](#) , [35421](#)

PLEASE CHECK WWW.MOLEX.COM FOR LATEST PART INFORMATION