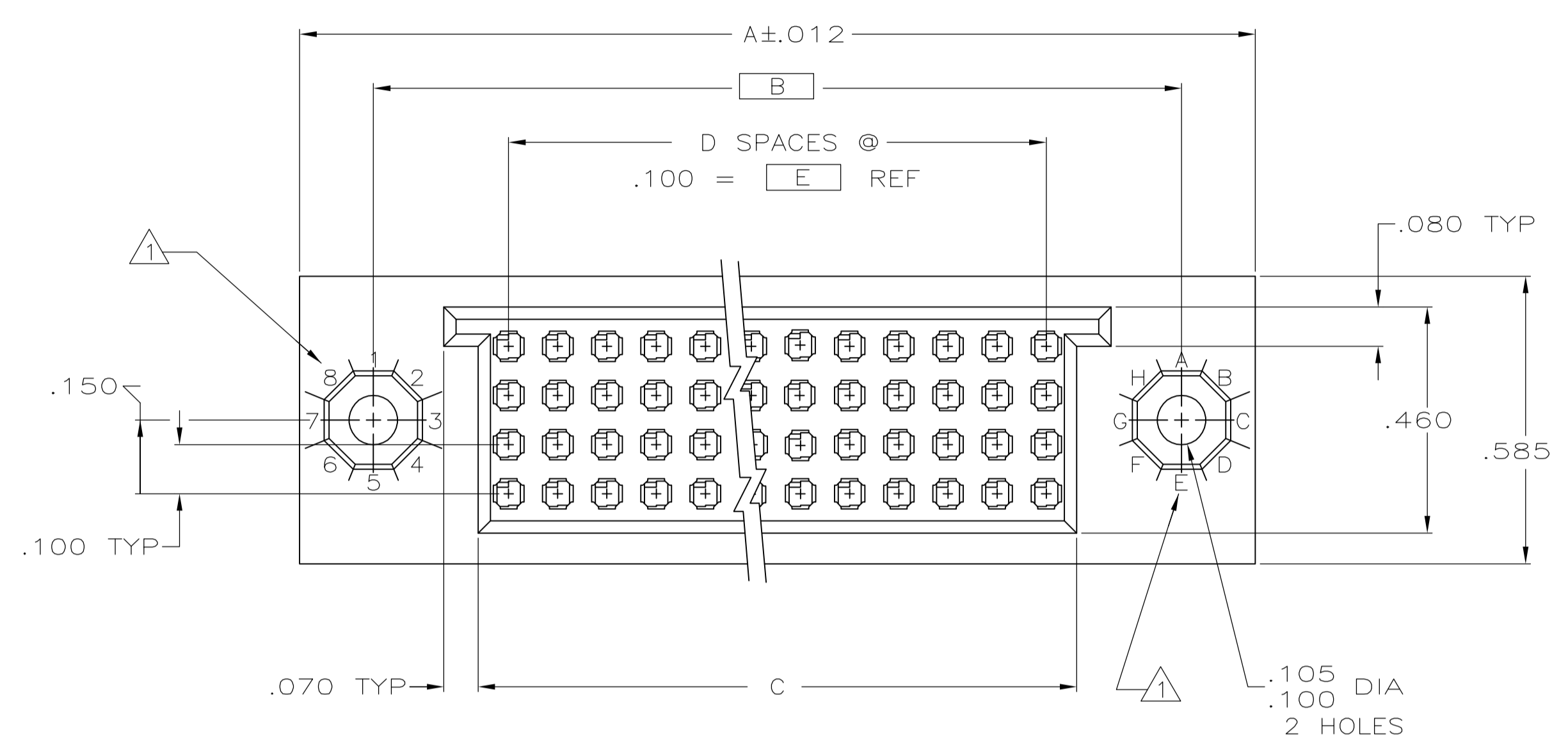
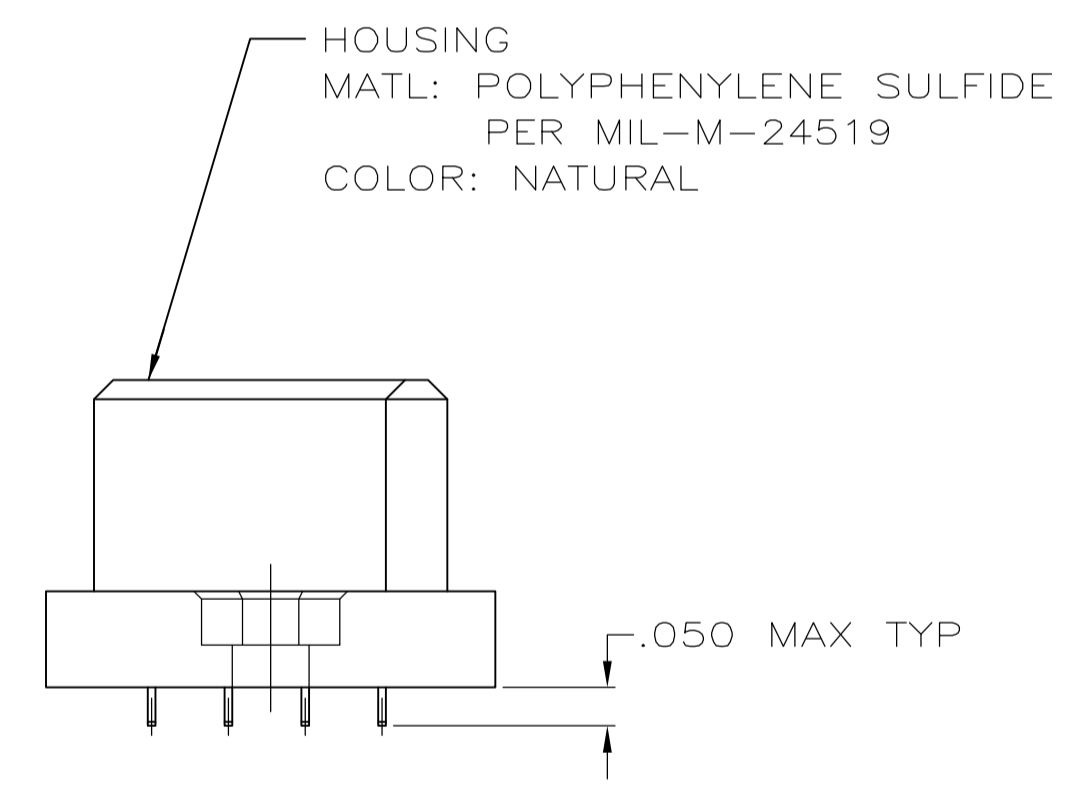
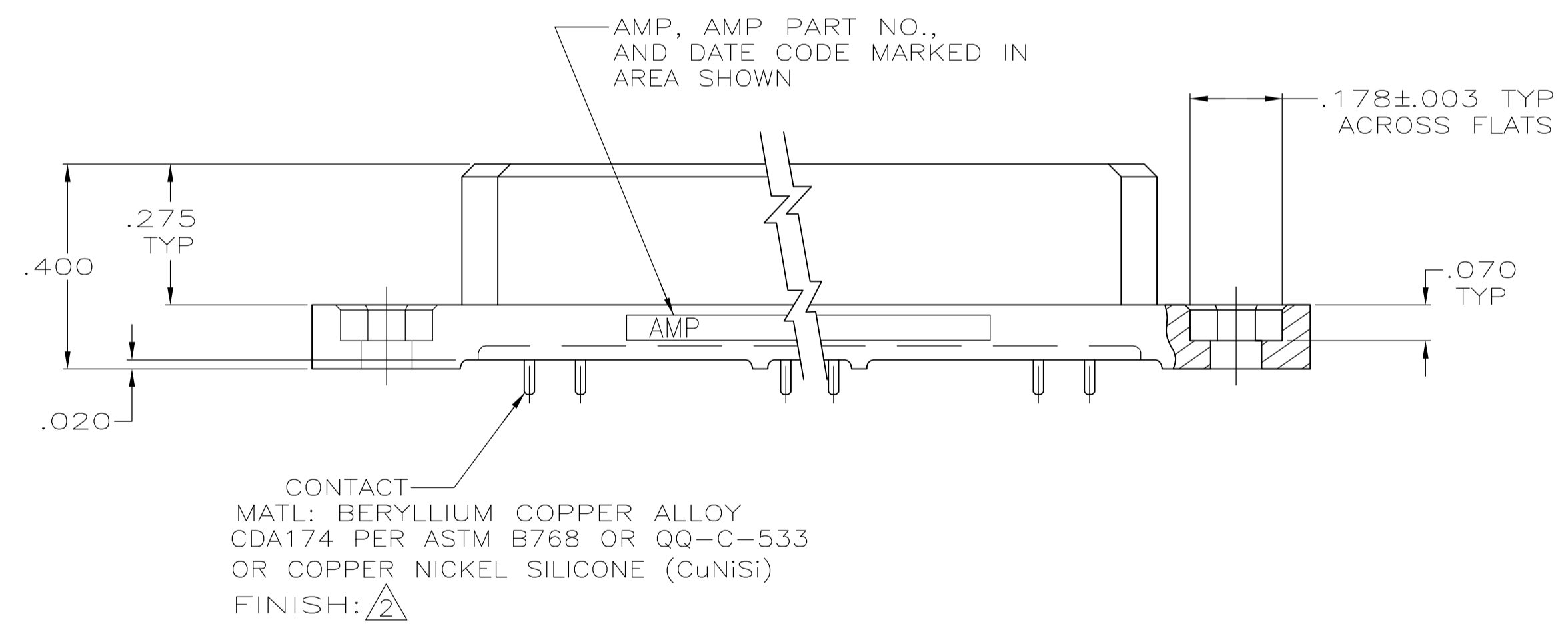


LOC		DIST		REVISIONS			
P	LTR	DESCRIPTION	DATE	DWN	APVD		
A		REV PER ECO-07-004569	19MAR07	PY	ND		



- 1 KEY POSITION IDENTIFICATIONS MOLDED ON SURFACES SHOWN.
- 2 FINISH: PLATED GOLD .000050 THK PER MIL-G-45204 IN CONTACT AREA WITH A POINT OF PLATING THICKNESS MEASUREMENT .135 FROM MATING END OF CONTACT; TAILS PLATED TIN-LEAD; ALL OVER NICKEL PER QQ-N-290.
- 3 FIRST TWO ROWS AND LAST TWO ROWS AND TWO ROWS NEAR CENTER ARE LOADED WITH CONTACTS.



7.400	74	7.524	7.950	8.250	300	1484562-1
E	D	C	B	A	POSN	PART NUMBER

THIS DRAWING IS A CONTROLLED DOCUMENT.

DIMENSIONS: INCHES	TOLERANCES UNLESS OTHERWISE SPECIFIED:	DWN C.C.THOMAS 1-10-92	 Tyco Electronics Corporation Harrisburg, PA 17105-3608
0 PLC ± -	1 PLC ± -	CHK D. MILLER 1-10-92	
2 PLC ± -	3 PLC ± -	APVD D. MILLER 1-10-92	NAME RECEPTACLE ASSEMBLY, FOUR ROW BOX LOW FORCE CONTACTS SPECIAL
4 PLC ± -	ANGLES ± -	APPLICATION SPEC	SIZE A1
MATERIAL	FINISH	WEIGHT	CAGE CODE 00779
			DRAWING NO 1484562
			RESTRICTED TO
			CUSTOMER DRAWING
			SCALE 4:1
			SHEET 1 OF 1
			REV A