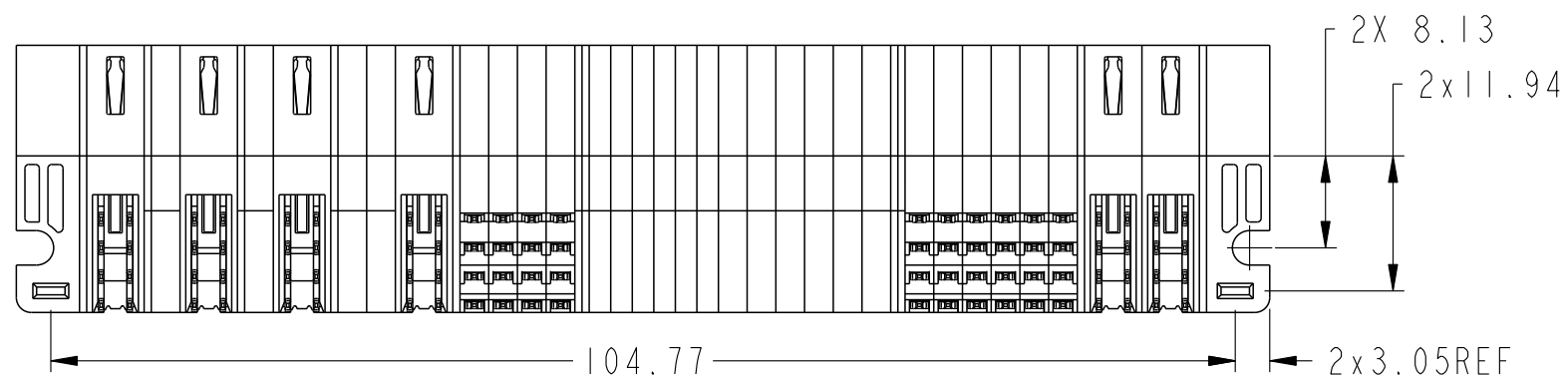
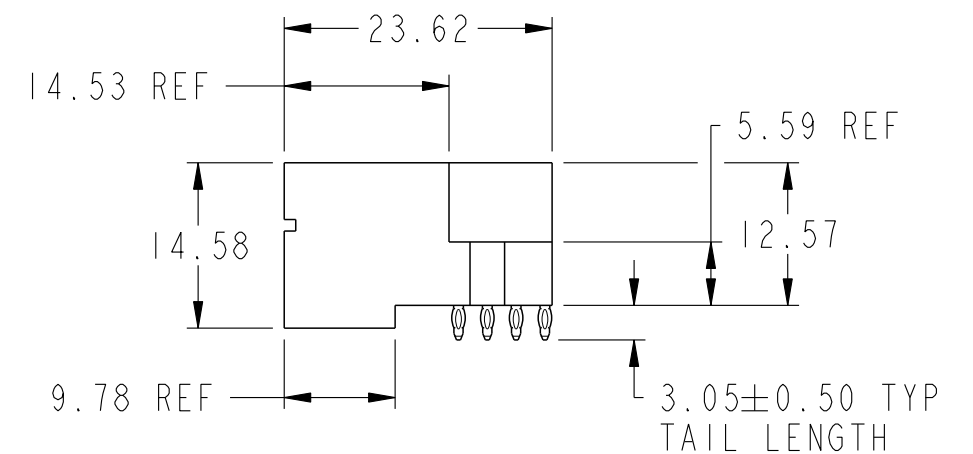
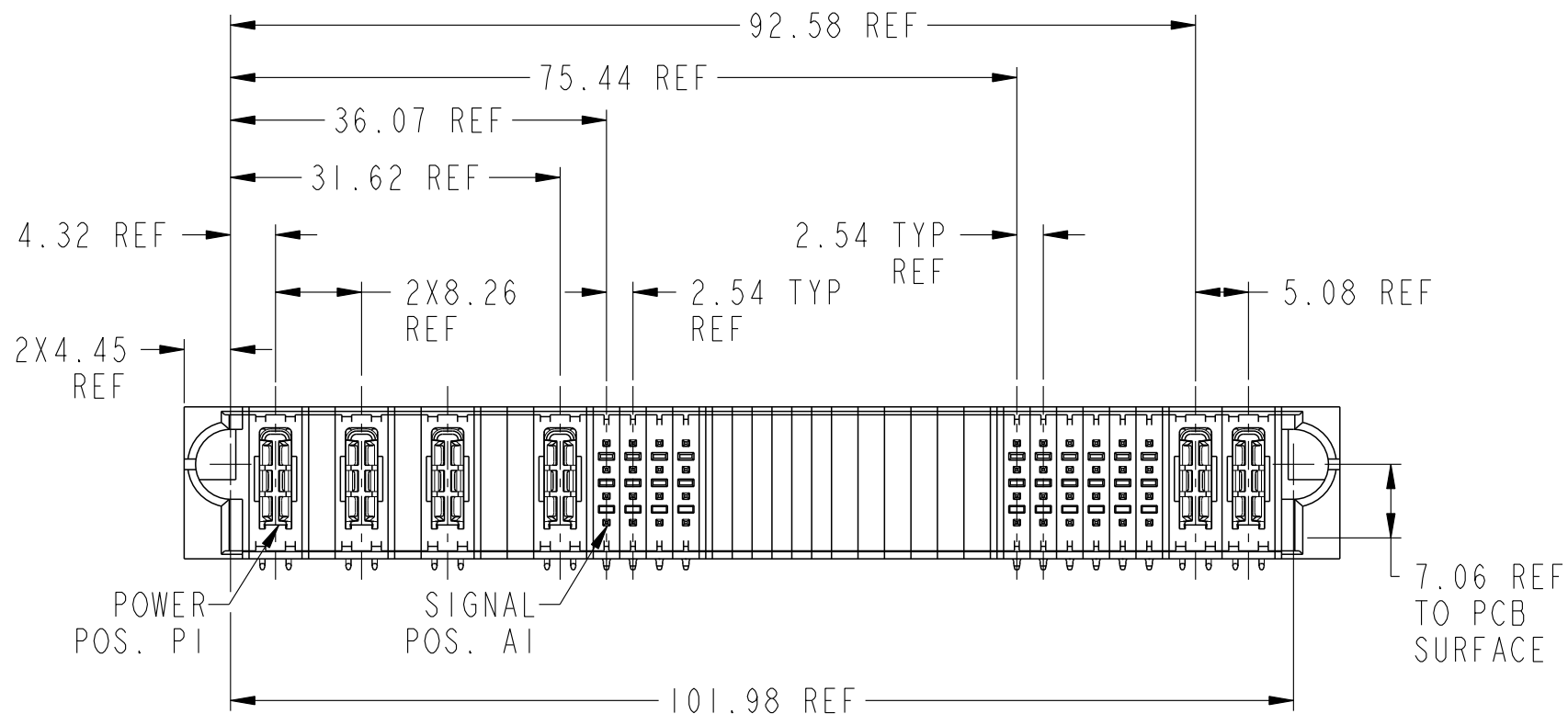
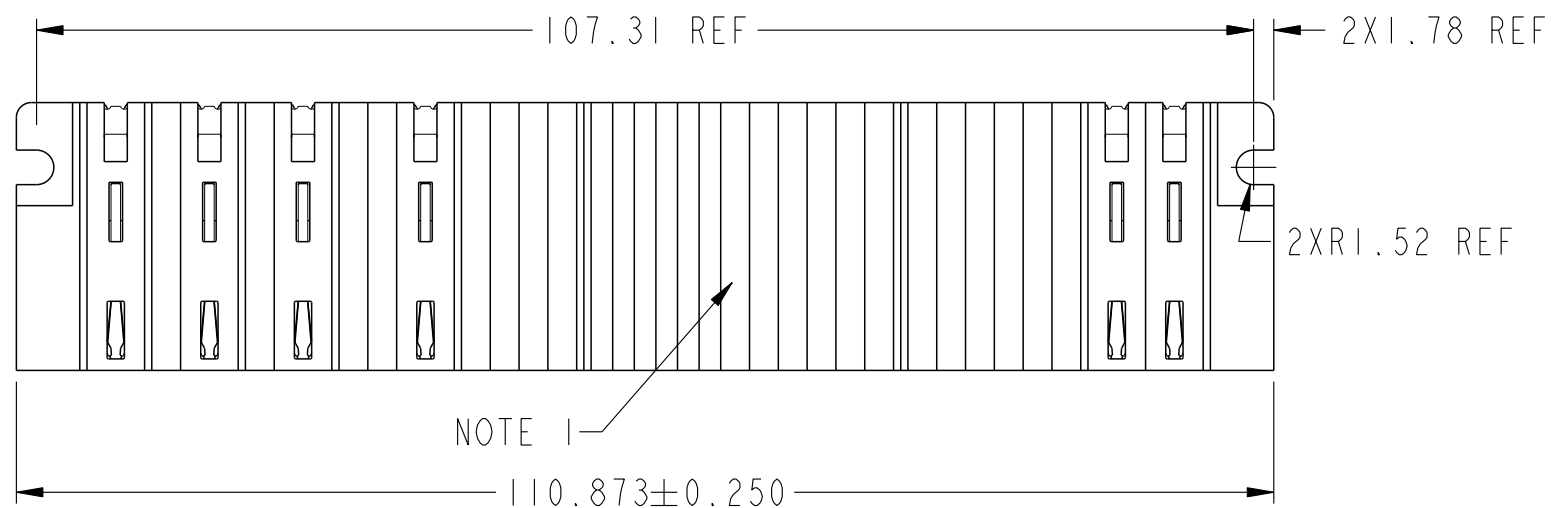


PART NUMBER 10106263-6010001LF

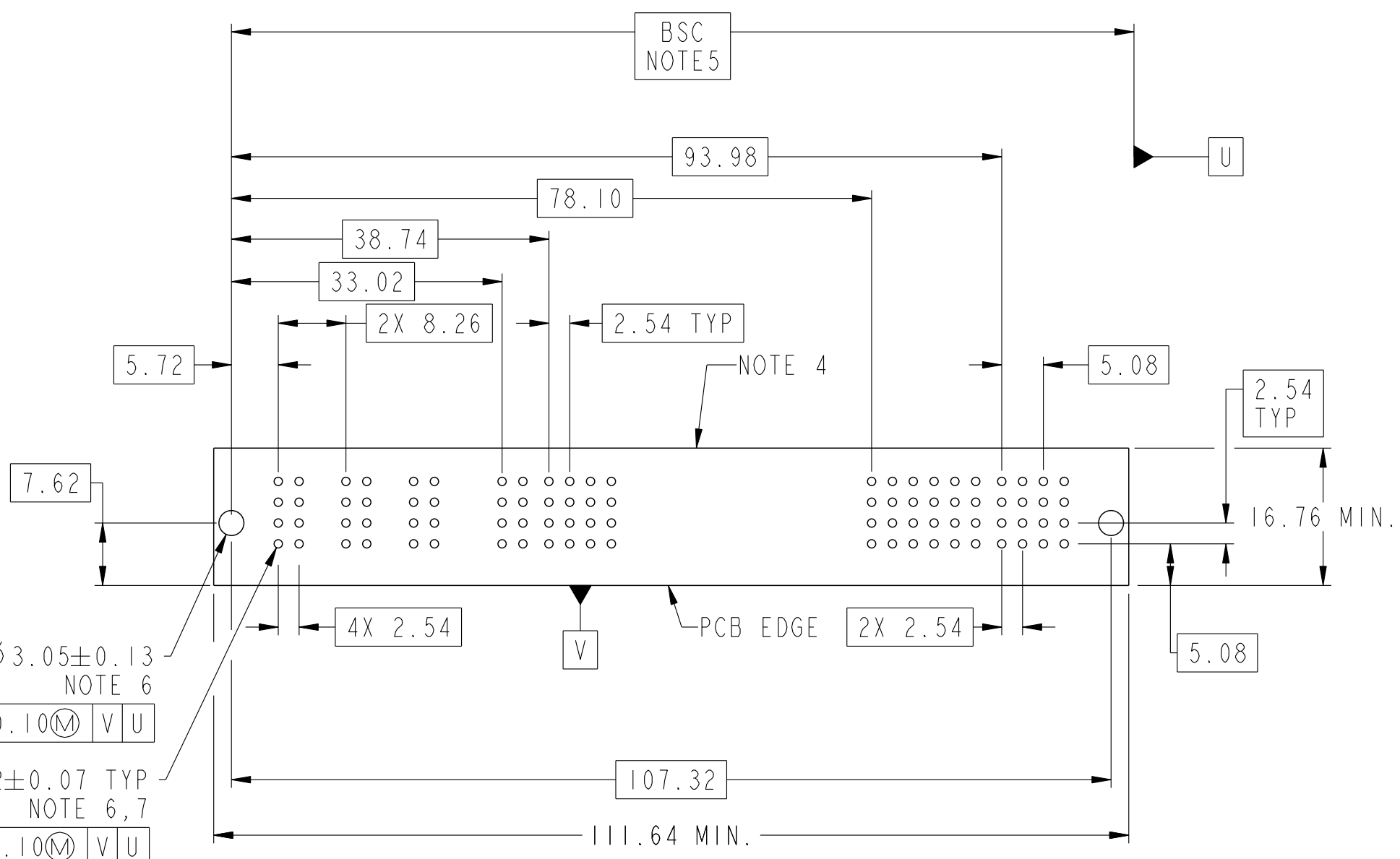


spec ref	*	dr	Peng-Bing Fu	2012/03/26	projection	MM	size	A3	scale	3:2
tolerance std	ASME Y14.5	eng	Zhen-Hua Liu	2015/10/14			ecn no	ELX-DG-22145-1		
TOLERANCES UNLESS OTHERWISE SPECIFIED		chr	Fancy Zhang	2015/10/16			product family	PwrBlade+		rel level
surface	<input checked="" type="checkbox"/> linear <input type="checkbox"/> angular	appr	Pei-Ming Zheng	2015/10/16	title 4P + 16S + 24S + 2HDP RA PF HEADER		dwg no 10106263-6010001	rev C		
ASME Y14.5	0.X ±0.5 0.XX ±0.25 0.XXX ±0.10	www.fci.com			cat. no.	Product - Customer Drw		sheet 1 of 3		



Copyright FCI.

PRODUCT NO.	ROWS	HIGH POWER				SIGNAL				BLANK				SIGNAL				HP		E2
		E1	P1	P2	P3	P4	1	2	3	4	5	6	7	8	9	10	P5	P6		
10106263-6010001LF	DCBA	HE	HE	HE	HE	SD	SD	SD	SD	SD	SD	SD	SD	SD	SD	SD	SD	SD	HE	HE



$2X \text{ } \varnothing 3.05 \pm 0.13$   
 NOTE 6  
 $\varnothing 0.10 \text{ (M)}$  V U  
 $\varnothing 1.02 \pm 0.07 \text{ TYP}$   
 NOTE 6, 7  
 $\varnothing 0.10 \text{ (M)}$  V U

CODE	DESCRIPTION
HE	STD HIGH POWER CONTACT (3.05)
SA	STD SIGNAL CONTACT, ROW A (3.05)
SB	STD SIGNAL CONTACT, ROW B (3.05)
SC	STD SIGNAL CONTACT, ROW C (3.05)
SD	STD SIGNAL CONTACT, ROW D (3.05)

dr	Peng-Bing Fu	2012/03/26	projection	MM	size	A3	scale	3:2
eng	Zhen-Hua Liu	2015/10/14			ecn no	ELX-DG-22145-1	rel level	Released
chr	Fancy Zhang	2015/10/16						
appr	Pei-Ming Zheng	2015/10/16	product family	PwrBlade+				
			title 4P + 16S + 24S + 2HDP RA PF HEADER			dwg no 10106263-6010001		rev C
www.fci.com			cat. no.		Product - Customer Drw			sheet 2 of 3

Copyright FCI.

NOTES:

- 1) "FCI", PART NUMBER AND DATE CODE TO BE MARKED ON THIS SURFACE.  
THE P/N CAN BE OMITTED IF THERE IS NOT ENOUGH SPACE ON THIS SURFACE.
- 2) MATERIALS:  
-HOUSING - GLASS FILLED WITH HIGH TEMP THERMOPLASTIC, UL94V-0.  
-SIGNAL CONTACT - COPPER ALLOY.  
-POWER CONTACT - HIGH CONDUCTIVITY COPPER ALLOY.
- △ 3) PLATING SPECIFICATION : 10116351
- 4) DENOTES CONNECTOR KEEP OUT ZONE.
- 5) DATUM AND BASIC DIMENIONS WERE ESTABLISHED BY CUSTOMER.
- 6) ALL HOLE DIAMETERS ARE FINISHED HOLE SIZES.
- 7)  $1.15 \pm 0.025$ MM DRILLED HOLE PLATED WITH 0.00762MM MIN Sn  
OVER 0.0254-0.0762MM Cu PLATING TO ACHIEVE A  $1.02 \pm 0.07$ MM HOLE.
- △ 8) PRODUCT SPECIFICATION : GS-12-658.  
APPLICATION SPECIFICATION : GS-20-141.  
PRODUCT PACKAGE SPECIFICATION: GS-14-1502.
- 9) A △ SYMBOL WILL BE NEXT TO ANY DIMENSION, VIEW, OR NOTE WHICH HAS BEEN MODIFIED WITH THE CURRENT DRAWING REVISION



Copyright FCI.

dr	Peng-Bing Fu	2012/03/26	projection 	MM 	size	A3	scale	3:2
eng	Zhen-Hua Liu	2015/10/14			ec n no	ELX-DG-22145-1		
chr	Fancy Zhang	2015/10/16			product family	PwrBlade+	rel level	Released
appr	Pei-Ming Zheng	2015/10/16	title		4P + 16S + 24S + 2HDP		cat. no.	10106263-6010001
www.fci.com			RA PF HEADER		rev	C		
Product - Customer Drw			sheet 3 of 3					