

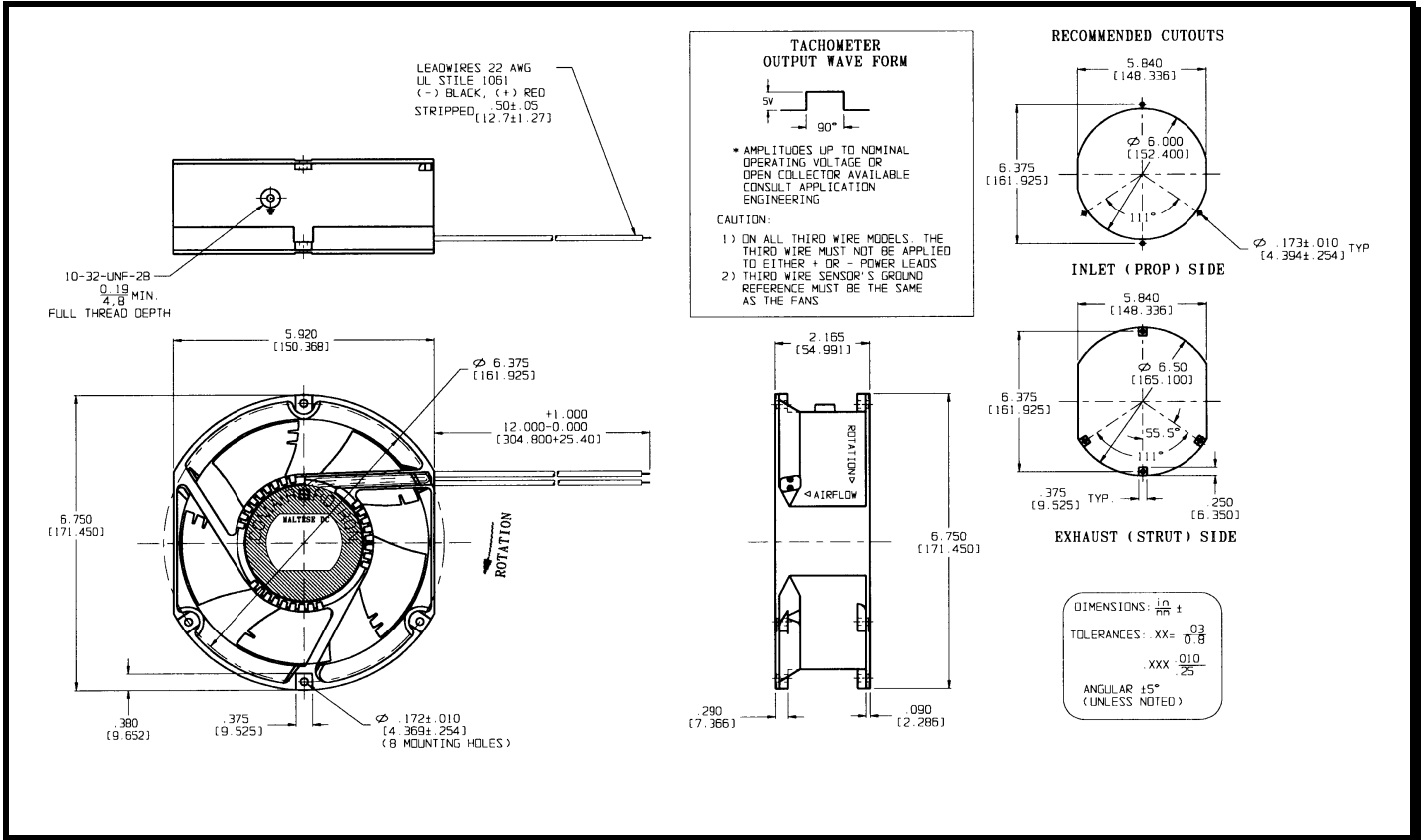
# SPECIFICATIONS



**Model Number:** MT24B4  
**Part Number:** 19031897A

September 29, 2004

## Mechanical Drawing:



### Motor:

Nominal Voltage	= 24 vdc
Operating Voltage Range	= 12 - 28 vdc
Nominal Running Current	= 1.70 amps
Max. Locked Rotor Current	= 3.50 amps
Running Power	= 35.5 watts
Average Speed	= 3450 RPM
Bearings	= Ball
Air Flow	= 300 CFM
Acoustic	= 57.1 dBA

### Construction:

Venturi: Single Piece Die-cast Aluminum, Black.  
 Propeller: Plastic, Black, UL 94V-0.

### Life Expectancy:

This fan is designed for continuous duty life of 76,000 hours at 40°C.

### Additional Features:

Brushless DC Motor  
 Electronic Locked Rotor Protected  
 Polarity Protected  
 Automatic Restart Capability  
 Operating Temperature: -10°C to 70°C  
 Storage Temperature: -40°C to 85°C

### Termination:

0.120" Terminals

### Agency Approved:

cUL, UL