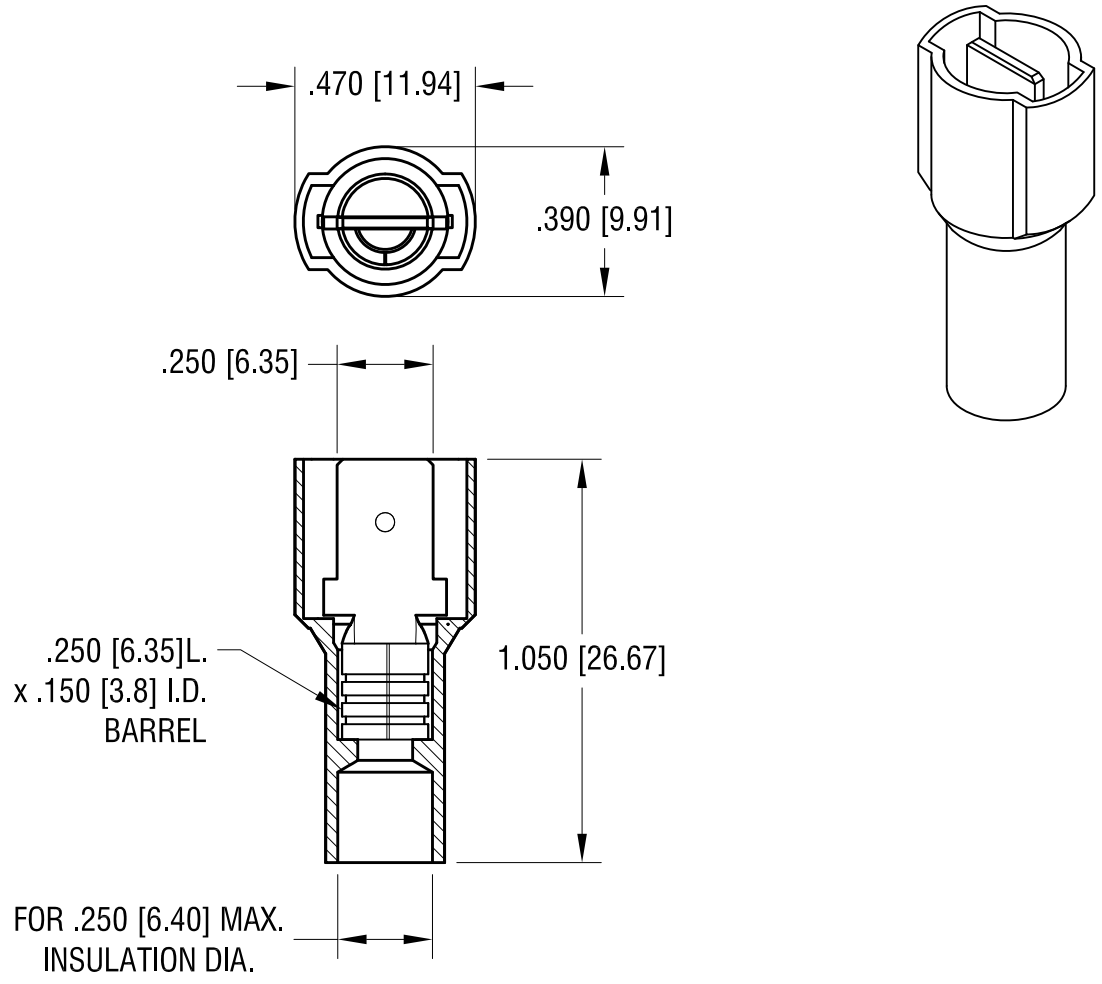


THIS DOCUMENT IS THE PROPERTY OF
KEYSTONE ELECTRONICS CORP. AND
SHALL NOT BE REPRODUCED, DISTRIBUTED
OR USED AS A BASIS FOR MANUFACTURE
WITHOUT PRIOR WRITTEN PERMISSION
FROM KEYSTONE ELECTRONICS CORP.



NOTE:

- 1. TERMINAL: MALE TAB
.250 [6.35] x .032 [0.81] TH'K COPPER, TIN PLATE
INSULATOR: NYLON 6/6, YELLOW
- 2. ACCOMMODATES WIRE RANGE 12/10 AWG

KEYSTONE ELECTRONICS CORP.			
www.keyelco.com • ASTORIA, N.Y. 11105-2017 • Tel (718) 956-8900			
PART NAME			
FULLY INSULATED QUICK-FIT TERMINAL, MALE			
MATERIAL			
AS NOTED			
FINISH		DRN BY	DATE
AS NOTED		NT	6.15.11
		APP'D	SCALE
		LN	2X
TOLERANCES	INCH	[MM]	CODE
DECIMAL	± .010	[± 0.25]	DWG NO.
ANGULAR	± 1°		
UNLESS OTHERWISE SPECIFIED			
		C/M	8300

DATE	DESCRIPTION	REV.	
------	-------------	------	--