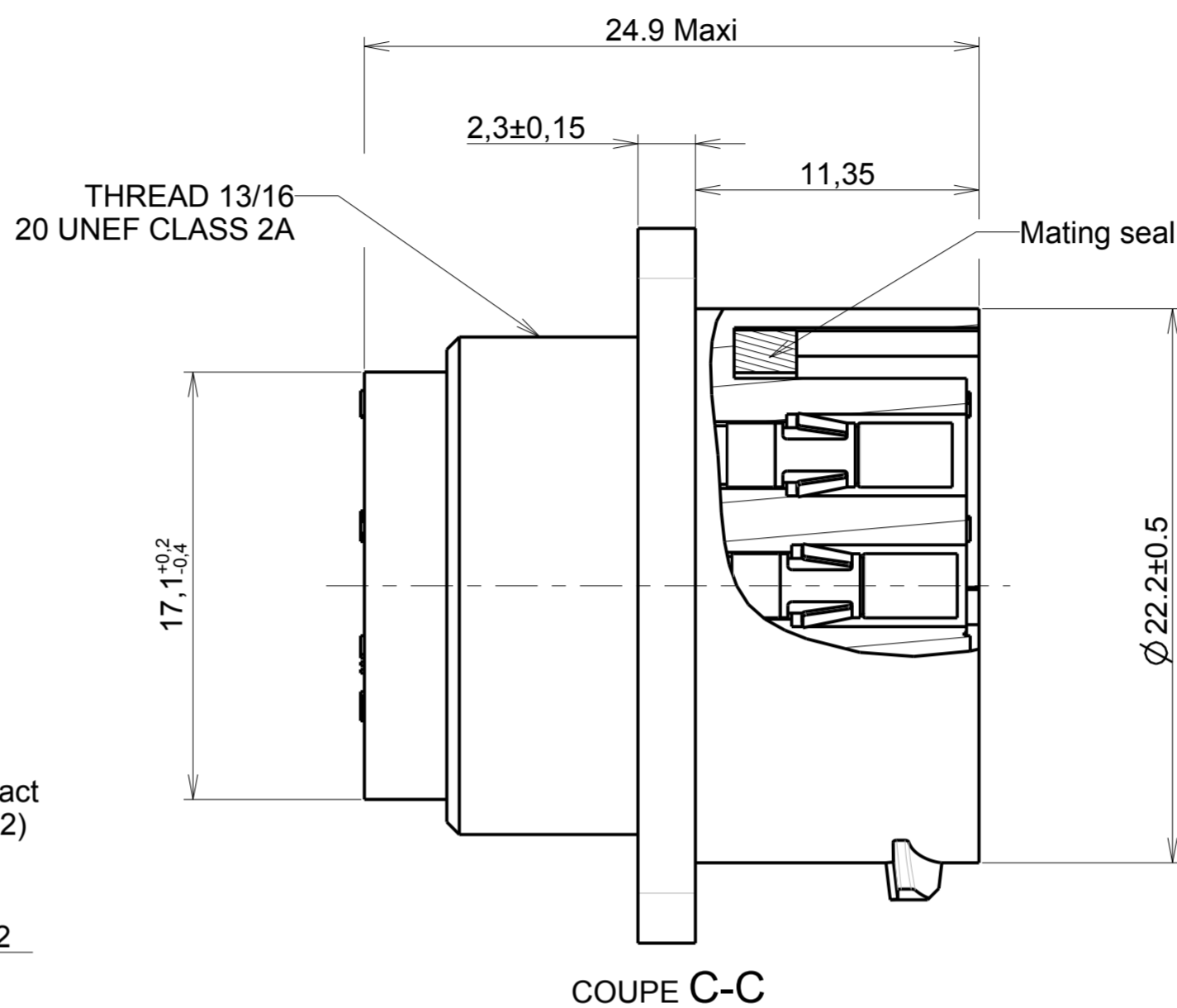
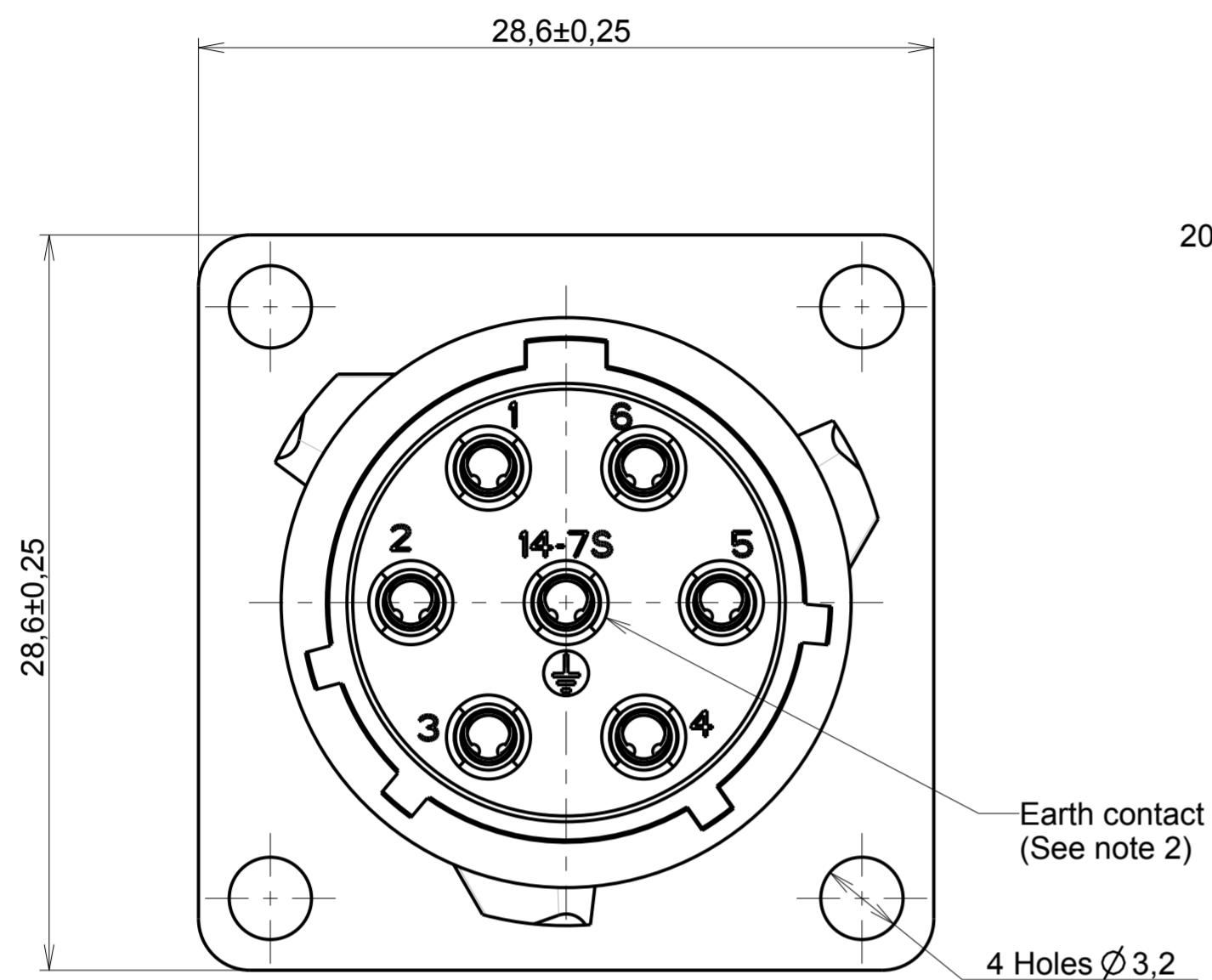


**MATING FACE**



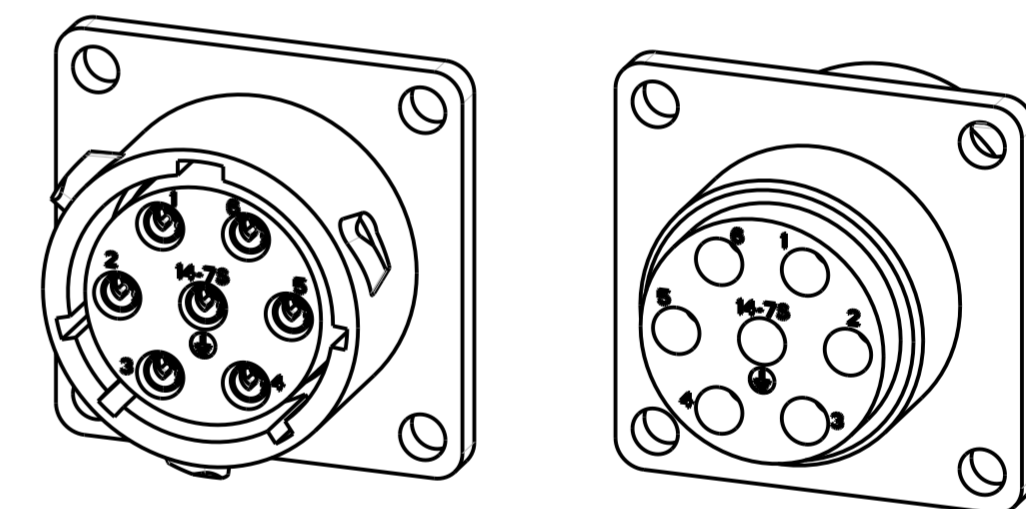
**MATERIAL :**  
 Shell: Polyamid UL94 V-0  
 Mating seal : Silicone

**PERFORMANCE CHARACTERISTICS :**

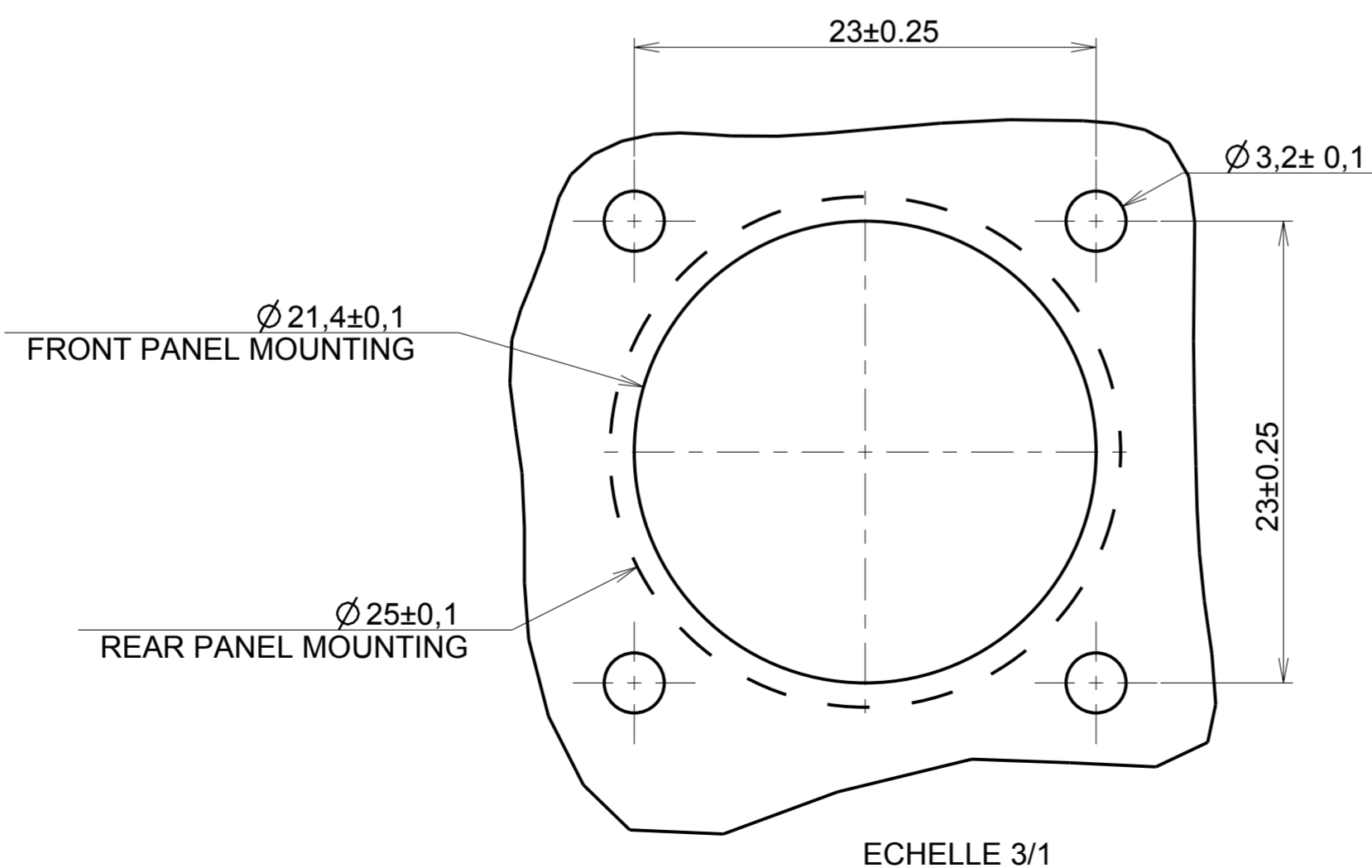
Operating temperature: -40°C up to 105°C  
 Insulation resistance: 5000 MΩ min  
 Test potential: 2000 Vrms for #16 layout  
 Corrosion salt spray: 500 hours  
 Durability: 250 matings and unmatings  
 Sealing IP67 or IP68 3 bar/30min as per IEC60529  
 Sealing IP69K as per DIN40050

**NOTES :**

- 1-Contact #16 must be ordered separately : refer to UTS catalog for P/N selection
- 2-Earth contact is a first mate last break contact



**CUT PANEL**



**P/N : UTS0147S**

a	22/05/12	New drawing		22400
ISS	DATE	Latest modification - by: --		MOD N°
Designed by: J.FEURPRIER		Date: 22/05/12	CUSTOMER DRAWING	
TITLE		RECEPTACLE TYPE 0 SIZE 14 LAYOUT 7 CTS UTS CONNECTOR		
Scale	2/1	General linear Tolerances: ± 0.2	NPRDS / PROJECT IC114903A	
		<a href="http://WWW.SOURIAU.COM">WWW.SOURIAU.COM</a>		This document is the property of SOURIAU. It must not be reproduced or communicated without permission.
FORMAT	A2	SOURIAU DRG N° C182-UTS1-A		SHEET 1/1