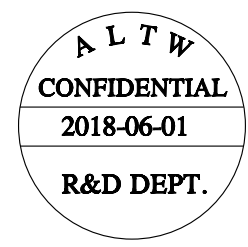
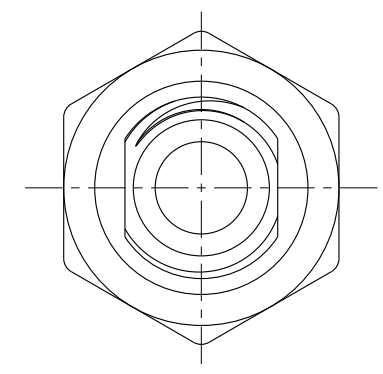
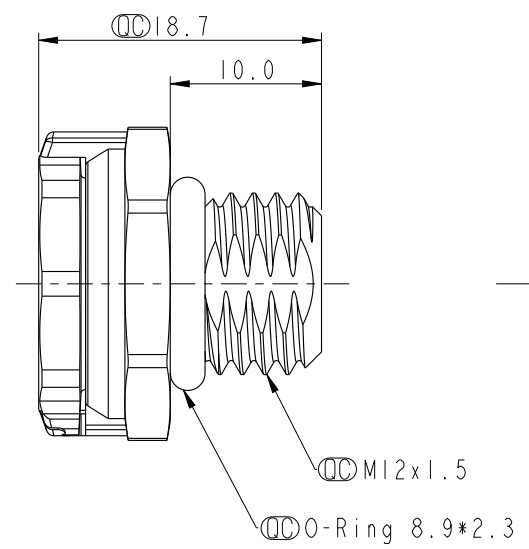
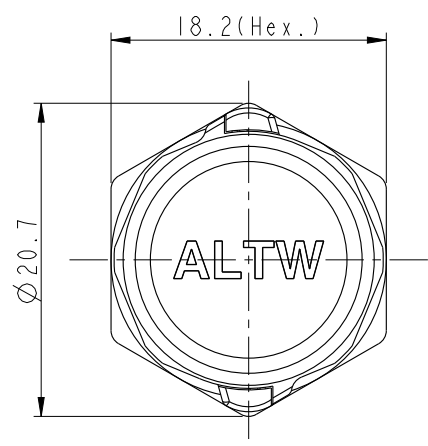
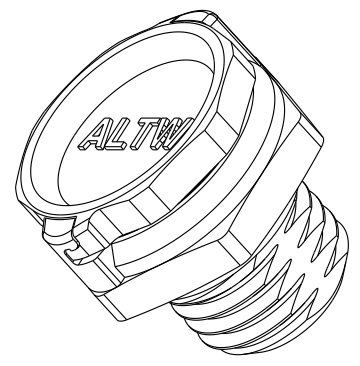


THIS DOCUMENT IS SUBJECT TO CHANGE WITHOUT NOTICE. IT IS CONFIDENTIAL AND A PROPERTY OF AMPHENOL LTW. DISCLOSURE TO THIRD PARTY HAS TO BE AUTHORIZED BY AMPHENOL LTW.

REV.	ECN NO.	DATE	SIGN	DESCRIPTION
A	Initial Release	2018-02-28	Ethan	
B	LEN1860001	2018-06-01	Ethan	Update Note IP68 Spec



UNIT: mm		
TOLERANCE	.X ±0.25	
.XX ±0.1		
.XXX ±0.05		
ANGLES	±1°	

TITLE VENT Metal-type		
SCALE 2:1	SIZE A4	SHEET 1 OF 2
REV. B	WC-REV. A.16	☉: Inspection item

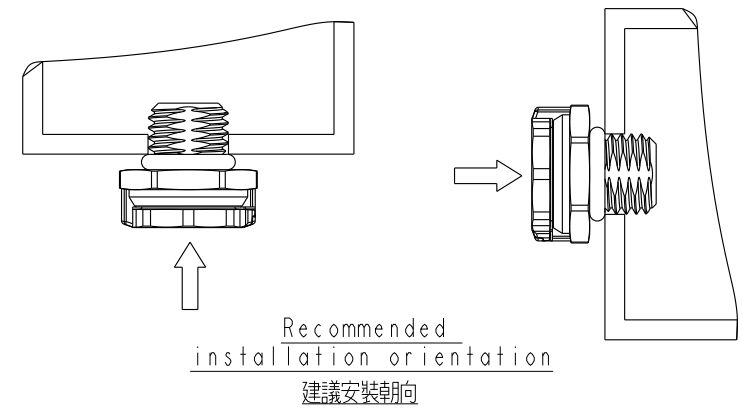
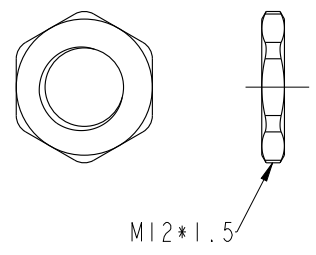
**Amphenol LTW**  
安費諾亮泰企業股份有限公司

ITEM NO. VENT-MSINME-08001	DRAWN BY Ethan	DATE 2018-06-01
DWG NO. VENT-MSINME-08001	CHECKED BY Feng Li	DATE 2018-06-01
CUSTOMER ALTW	APPROVED BY Jerry	DATE 2018-06-01

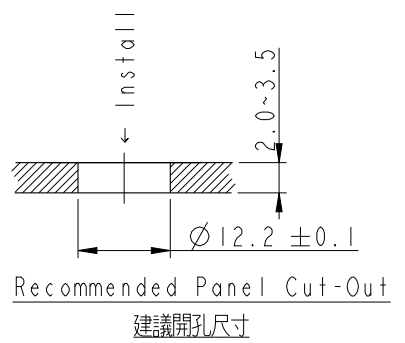
THIS DOCUMENT IS SUBJECT TO CHANGE WITHOUT NOTICE. IT IS CONFIDENTIAL AND A PROPERTY OF Amphenol LTW. DISCLOSURE TO THIRD PARTY HAS TO BE AUTHORIZED BY Amphenol LTW.

REV.	ECN NO.	DATE	SIGN	DESCRIPTION

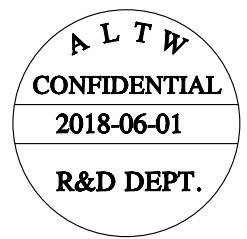
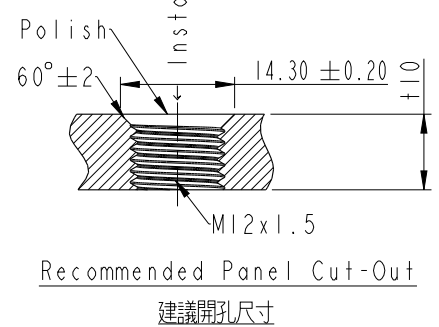
Screw Nut: Optional part  
 No.: APTM-AMBPC012-001  
 螺母作為選配件



Through-hole



Threaded-hole



- Note:
- \*  $\text{CC}$  Important Dimension.
  - \*  $\text{B}$  Waterproof Rate: IP68 (Immersion for 60 minutes at a depth of 2 meter), IP69K
  - \* Housing: Zinc Alloy, Nickel Plated
  - \* Cap: Zinc Alloy, Nickel Plated
  - \* Membrane: ePTFE, Oleophobic
  - \* O-Ring: Silicone, Dark Gray
  - \* Air Permeability: >1760ml/min @70mbar

UNIT: mm			TITLE	VENT Metal-type		
TOLERANCE	.X ±0.25	.XX ±0.1	SCALE	2:1	SIZE	A4
.XXX ±0.05	ANGLES	±1°	REV.	B	WC-REV.	A.16
			SHEET	2	OF	2
			$\text{CC}$ : Inspection item			

**Amphenol LTW**  
 安費諾亮泰企業股份有限公司

ITEM NO	VENT-MSINME-08001	DRAWN BY	Ethan	DATE	2018-06-01
DWG NO	VENT-MSINME-08001	CHECKED BY	Feng Li	DATE	2018-06-01
CUSTOMER	ALTW	APPROVED BY	Jerry	DATE	2018-06-01