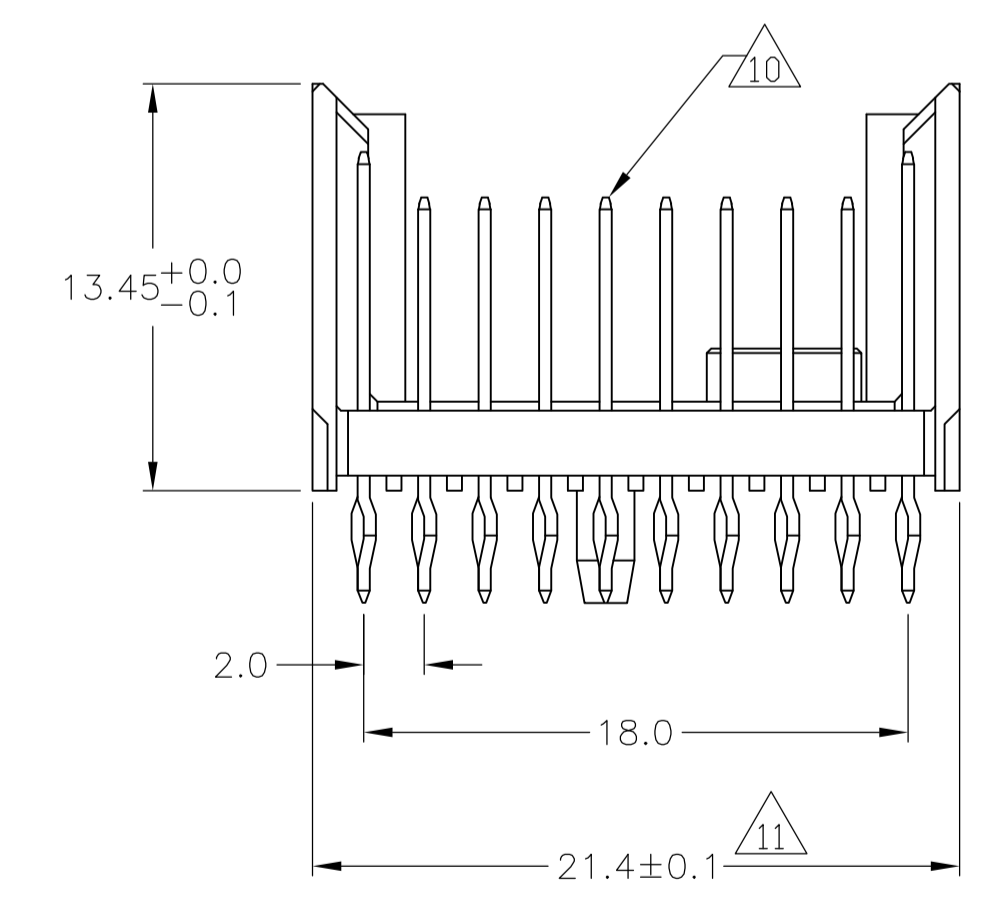
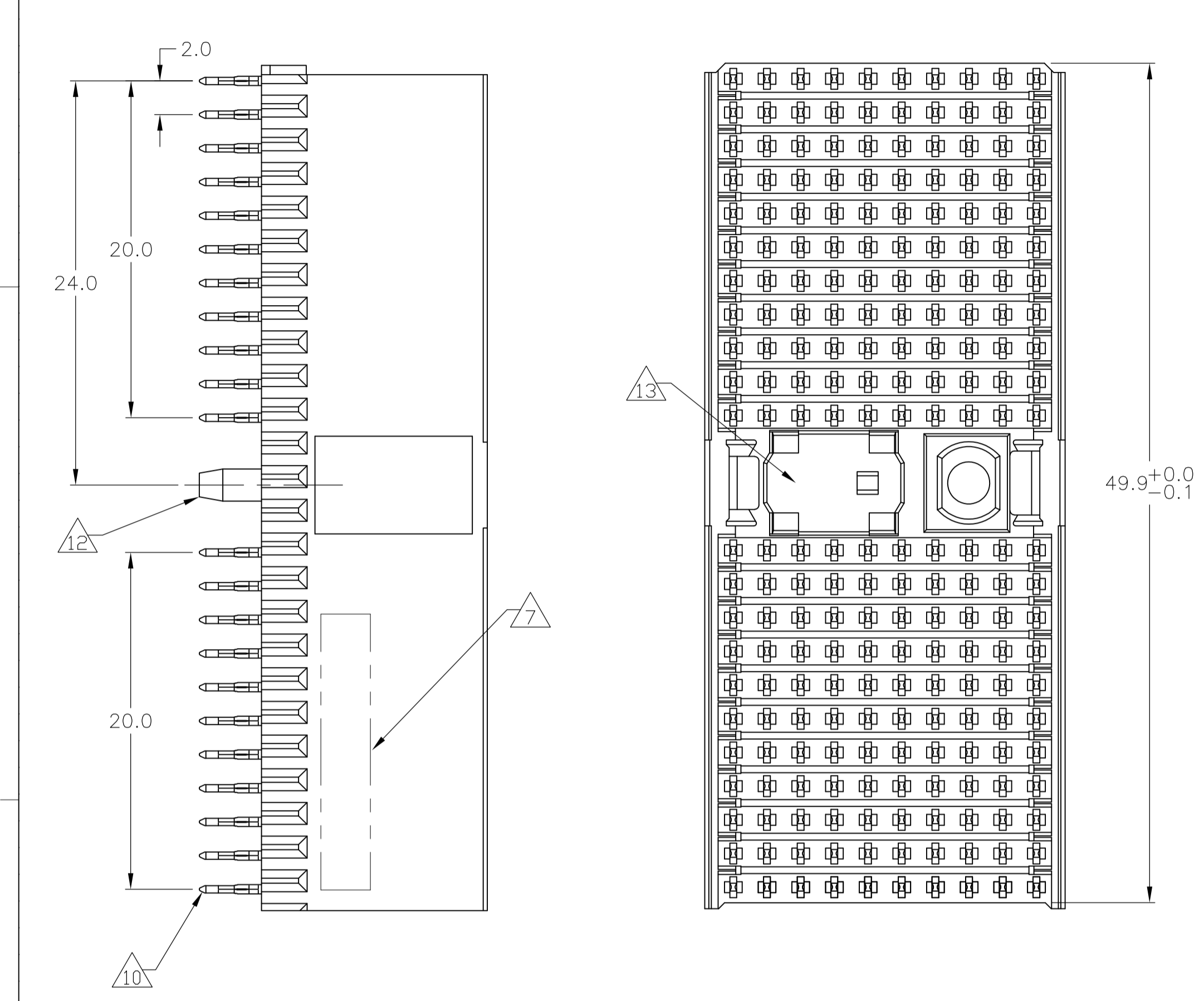
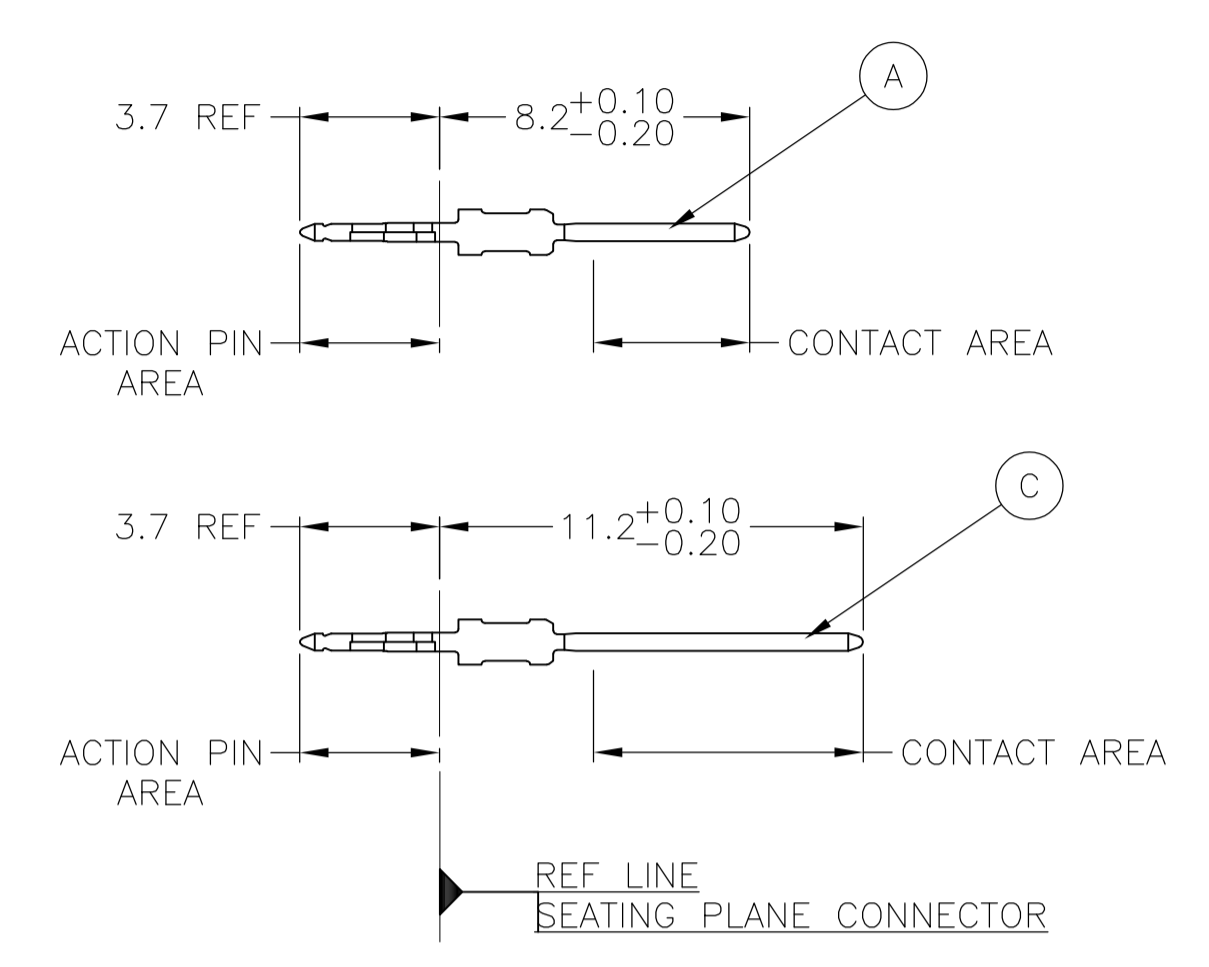


CONNECTOR ASSEMBLY EXAMPLARY LOADED



CONTACT DIMENSIONS



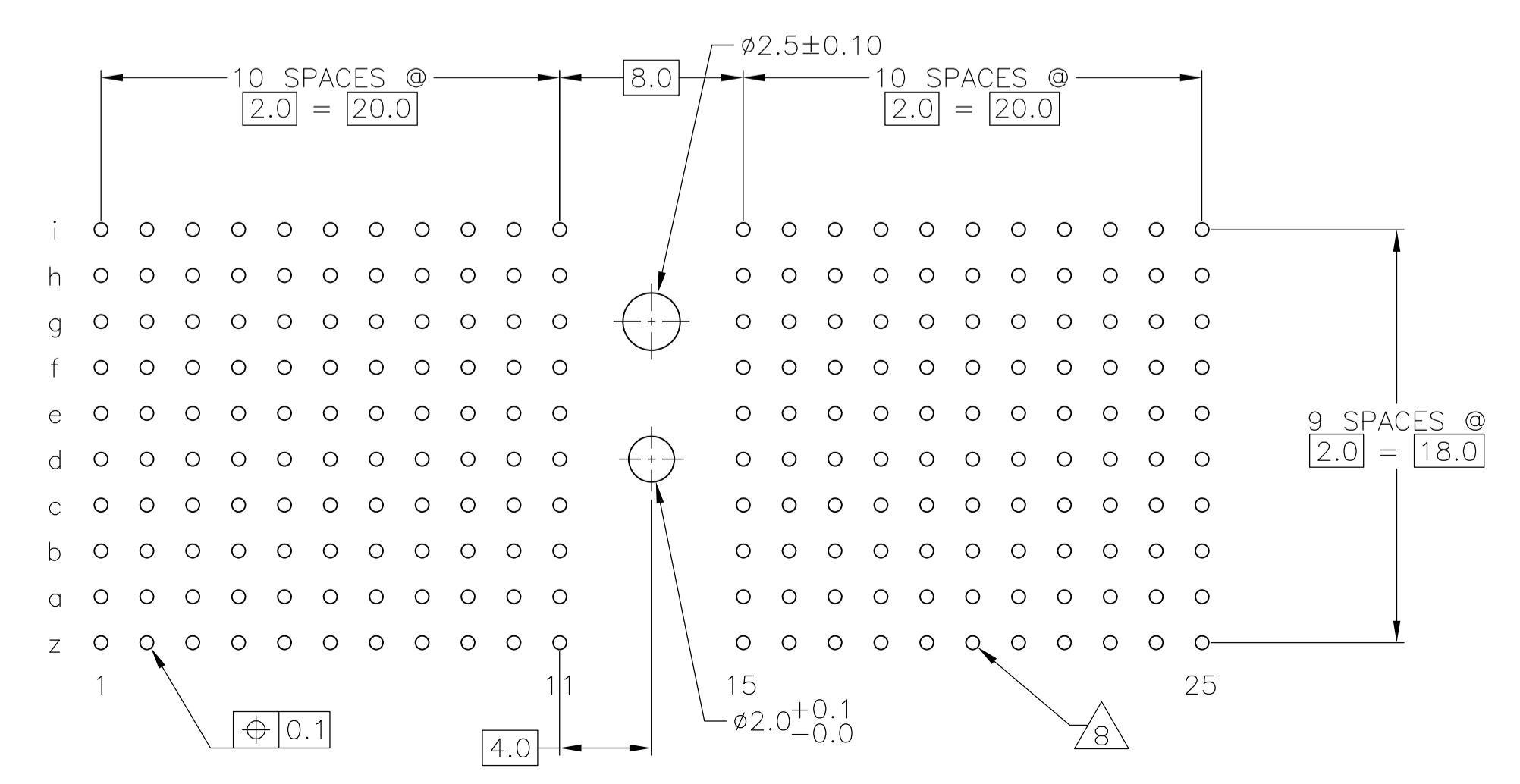
CONTACT LAYOUT

	z	a	b	c	d	e	f	g	h	i
1	C	A	A	A	A	A	A	A	A	C
2	C	A	A	A	A	A	A	A	A	C
3	C	A	A	A	A	A	A	A	A	C
4	C	A	A	A	A	A	A	A	A	C
5	C	A	A	A	A	A	A	A	A	C
6	C	A	A	A	A	A	A	A	A	C
7	C	A	A	A	A	A	A	A	A	C
8	C	A	A	A	A	A	A	A	A	C
9	C	A	A	A	A	A	A	A	A	C
10	C	A	A	A	A	A	A	A	A	C
11	C	A	A	A	A	A	A	A	A	C
MULTI PURPOSE CENTER										
15	C	A	A	A	A	A	A	A	A	C
16	C	A	A	A	A	A	A	A	A	C
17	C	A	A	A	A	A	A	A	A	C
18	C	A	A	A	A	A	A	A	A	C
19	C	A	A	A	A	A	A	A	A	C
20	C	A	A	A	A	A	A	A	A	C
21	C	A	A	A	A	A	A	A	A	C
22	C	A	A	A	A	A	A	A	A	C
23	C	A	A	A	A	A	A	A	A	C
24	C	A	A	A	A	A	A	A	A	C
25	C	A	A	A	A	A	A	A	A	C

RECOMMENDED PCB-HOLE LAYOUT COMPONENT SIDE SHOWN

PLATED THRU HOLES PARAMETERS

REFERENCE APPLICATION SPECIFICATION




2	3	16	3-646356-0
2	6	14	1-646356-9
2	5	14	646356-9
2	4		646356-4
2	3		646356-1
FINISH			PART NUMBER

THIS DRAWING IS A CONTROLLED DOCUMENT.

DIMENSIONS: mm	TOLERANCES UNLESS OTHERWISE SPECIFIED:	DIN S. WAITMAN 13JUL05	13JUL05
0-PLC ±	1-PLC ±0.1	CHK: G. SKIPPER	13JUL05
2-PLC ±	3-PLC ±	APVD: G. SKIPPER	13JUL05
4-PLC ±	ANGLES ±	NAME	
MATERIAL 1	FINISH SEE TABLE	108-1622	MALE ASSEMBLY, Z-PACK 2mm HM, TYPE D
		114-19029	RESTRICTED TO
		WEIGHT	SIZE CASE CODE DRAWING NO
			A1 00779 C=646356
		CUSTOMER DRAWING	SCALE 4:1 SHEET 1 OF 2 REV H1

LOC	DIST	REVISIONS			
P	LTR	DESCRIPTION	DATE	DWN	APVD
-	-	SEE SHEET 1	-	-	-

- 1 MATERIAL:
CONTACT: PHOSPHOR BRONZE.
HOUSING: GLASS-FILLED POLYESTER.
- 2 GENERAL PLATING SPECIFICATION: UNDERPLATING
(ENTIRE CONTACT): 1.27µm MIN NICKEL AND ACTION
PIN: 0.5µm MIN TIN\LEAD.
FOR PLATING OF MATING SURFACES SEE APPLICABLE
SPECIFICATION REFERENCE FOR EACH DASH NUMBER.
- 3 CONFORMS TO ALL TESTING ACCORDING TO IEC 61076-4-101
PERFORMANCE LEVEL 2.
- 4 CONFORMS TO ALL TESTING ACCORDING TO IEC 61076-4-101
PERFORMANCE LEVEL 1.
- 5 CONNECTOR TESTED AND QUALIFIED AGAINST TELCORDIA GR-1217-CORE QUALITY LEVEL 3,
CENTRAL OFFICE APPLICATIONS.
- 6 CONNECTOR TESTED AND QUALIFIED AGAINST TELCORDIA GR-1217-CORE QUALITY LEVEL 3,
UNCONTROLLED ENVIROMENT APPLICATIONS.
- 7 CONNECTOR MARKED WITH PART NUMBER AND DATE CODE.
ADDITIONAL CHARACTERS OR MARKINGS, AS WELL AS THE LOCATION OF THE MARKINGS,
MAY BE ADDED FOR TRACEABILITY BASED UPON MANUFACTURERS DISCRETION.
- 8 PLATED-THROUGH HOLES AT 2x2mm SQUARE GRID
PATTERN DEFINED BY CONTACT LAYOUT.
- 9 FOR ACTUAL PIN LOADING SEE "CONTACT LAYOUT".
- 10 FOR ACTUAL PIN DIMENSIONS SEE "CONTACT DIMENSIONS".
- 11 TO BE MEASURED AT BOTTOM OF SHROUD.
- 12 POLARIZATION FEATURE.
- 13 AREA RESERVED FOR KEYING PART (BASIC P/N 100525).
- 14 CONNECTOR LUBRICATED WITH BELCORE APPROVED LUBRICANT,
TECHNICAL REFERENCE: TR-NWT-001217 ISSUE 1, SEP 1992.
- 15 OBSOLETE PARTS: OBSOLETE CIS STREAMLINING PER D.RENAUD/D.SINISI
- 16 0.76µm MIN GOLD PLATING AT MATING SURFACES.

THIS DRAWING IS A CONTROLLED DOCUMENT.		DWN S.WAITMAN 13JUL05	 TE Connectivity		
DIMENSIONS: mm		CHK G.SKIPPER 13JUL05			
TOLERANCES UNLESS OTHERWISE SPECIFIED:		APVD G.SKIPPER 13JUL05	NAME MALE ASSEMBLY, Z-PACK 2mm HM, TYPE D		
0-PLG ± 1-PLG ±0.1 2-PLG ± 3-PLG ± 4-PLG ± ANGLES ±°		PRODUCT SPEC 108-1622	RESTRICTED TO		
MATERIAL SEE SHEET 1		APPLICATION SPEC 114-19029	SIZE A1	CAGE CODE 00779	DRAWING NO 646356
FINISH SEE SHEET 1		WEIGHT -	SCALE 4:1		SHEET 2 OF 2
		CUSTOMER DRAWING		REV H1	