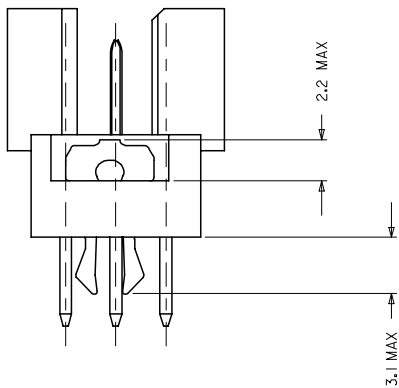
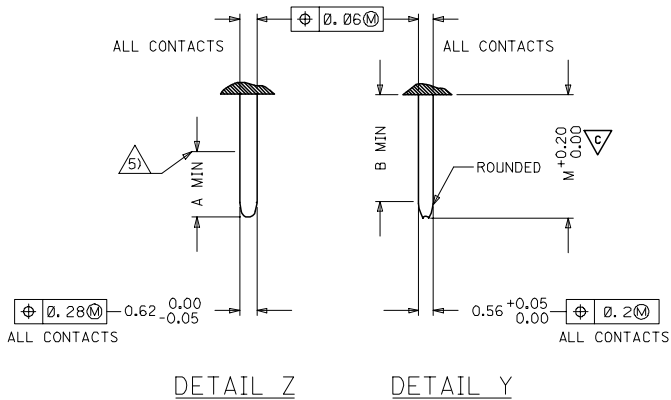


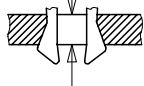
PRE MATING CONTACTS	5.4	4.1	4.8
NORMAL CONTACTS	4.8	3.5	4.2
	M	A	B

MALE CONNECTOR WITH MOUNTING CLIPS



CLIPS SNAP UNDER
PC - BOARD OF
1.5 to 1.8 mm
Fm < 60N
Fr >= 20N
Fr >= 200N, WHEN
SOLDERED IN
PLATED - THROUGH
FIXING HOLES

Fm = MOUNTING FORCE
(FOR ONE CONNECTOR = 2 CLIPS)



FR = RETENTION FORCE
(FOR ONE CONNECTOR = 2 CLIPS)

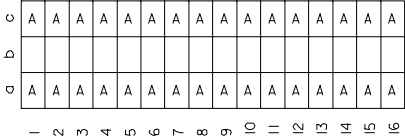
CLIPS STICK IN
FIXING HOLE OF
PC - BOARDS
OVER 1.8 mm
Fm < 60N
FR >= 16N



EC NO. 12005-0092 DRAWN BY DRWNSHIVASHA CHKD BY CHAKRAPASAI APP: SUDHIR	2004/11/23 2004/11/23 2004/11/23	QUALITY SYMBOLS ▽=0 ▽=1	GENERAL TOLERANCES (UNLESS SPECIFIED)		DIMENSION STYLE	SCALE	DESIGN UNITS	THIRD ANGLE PROJECTION
			mm	INCH	MM ONLY	2:1	METRIC	
DRAWN BY DATE			4 PLACES ± --- ± ---		NS	2004/03/31	TITLE	
CHECKED BY DATE			3 PLACES ± 0.005 ± ---		GJLOWE	2004/03/31	48 POS. MALE CONNECTOR	
APPROVED BY DATE			2 PLACES ± 0.05 ± ---		GJLOWE	2004/03/31	ACC. DIN 41612	
MATERIAL NO.			1 PLACE ± 0.1 ± ---		GJLOWE	2004/03/31	STYLE R/2 CONTACTS	
DOCUMENT NO.			ANGULAR ± 2 °		MATERIAL NO.		MOLEX INCORPORATED	
DRAFT WHERE APPLICABLE MUST REMAIN WITHIN DIMENSIONS			SEE CHART		DOCUMENT NO.		E-85013-0002	
SIZE A1			THIS DRAWING CONTAINS INFORMATION THAT IS PROPRIETARY TO MOLEX INCORPORATED AND SHOULD NOT BE USED WITHOUT WRITTEN PERMISSION		SHEET NO.		2 OF 2	

20 19 18 17 16 15 14 13 12 11 9 8 7 6 5 4 3 2 1

VIEW ON MATING SIDE



A = 32 STANDARD CONTACTS L = 4.5

MARKING	STANDARD
PERFORMANCE LEVEL	G2/O = CONTACT AREA LEVEL2 / TERMINATION TIN
FLUX PROOF	NO
FIXING CLIP	NO
DIMENSIONS	E-85013-0002 SHT 1-2

A	G2/O	a1-16 c1-16
CONTACT SYMBOL	PERFORMANCE LEVEL	CONTACT POSITION NUMBER

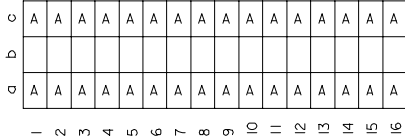
SL. NO.	DESCRIPTION	CONTACT SYMBOL	PART NUMBER	QTY
1	HOUSING		36520-0002	1
2	TERMINAL	A	36527-0005	32

EC NO. I 2004-XXXX DRAWN NS 31/03/04 CHK'd G.L. 31/03/04 APPR. G.L. 31/03/04	QUALITY SYMBOLS MAJOR \blacktriangledown CRITICAL ∇	GENERAL TOLERANCES: (UNLESS SPECIFIED) 4 PLACES $\pm 0.$ mm $\pm.$ INCH 3 PLACES $\pm 0.$ mm $\pm.$ INCH 2 PLACES $\pm 0.$ mm $\pm.$ INCH 1 PLACE $\pm 0.$ mm $\pm.$ INCH	SCALE DESIGN UNITS <input checked="" type="checkbox"/> MM <input type="checkbox"/> INCH	THIRD ANGLE PROJECTION <input type="checkbox"/> FIRST ANGLE <input checked="" type="checkbox"/> THIRD ANGLE	DIMENSIONS: <input type="checkbox"/> MM <input type="checkbox"/> INCH <input checked="" type="checkbox"/> INCH ONLY	SHT 1 REV REVISE ON CAD ONLY	
	DRAWN BY & DATE NLS 31/03/04	CHECKED BY & DATE G.L. 31/03/04	APPROVED BY & DATE G.L. 31/03/04	CAD FILENAME E-85013-0050.S01	MATERIAL NO. 85013-0050	DRAWING NO. E-85013-0050	SHEET NO. 1 OF 1
	TITLE: 48 POS MALE CONNECTOR ACCORDING DIN 41612 STYLE R/2 CONTACTS ARRANGEMENT		MOLEX INCORPORATED				
	DRAFT WHERE APPLICABLE MUST REMAIN WITHIN DIMENSIONS		THIS DRAWING CONTAINS INFORMATION THAT IS PROPRIETARY TO MOLEX INCORPORATED AND SHOULD NOT BE USED WITHOUT WRITTEN PERMISSION.				

19 18 17 16 15 14 13 12 11 10 9 8 7 6 5 4 3 2 1

20 19 18 17 16 15 14 13 12 11 10 9 8 7 6 5 4 3 2 1


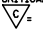
VIEW ON MATING SIDE



A = 32 STANDARD CONTACTS L = 4.5

MARKING	STANDARD
PERFORMANCE LEVEL	G2/0 = CONTACT AREA LEVEL2 / TERMINATION TIN
FLUX PROOF	NO
FIXING CLIP	NO
DIMENSIONS	SD-85013-0002 SHT 1

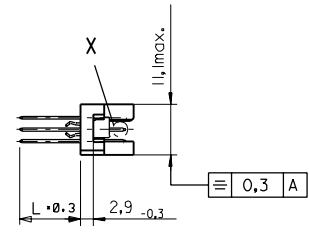
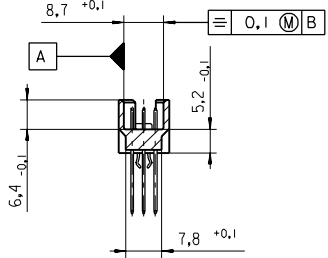
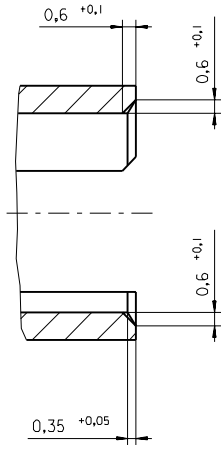
A	G2/0	a1-16 c1-16
CONTACT SYMBOL	PERFORMANCE LEVEL	CONTACT POSITION NUMBER

EC NO. I 2004-XXXX DRAWN NS 31/03/04 CHK'd G.L. 31/03/04 APPR G.L. 31/03/04	QUALITY SYMBOLS MAJOR  CRITICAL 	GENERAL TOLERANCES: (UNLESS SPECIFIED) mm ± INCH ±	SCALE <input checked="" type="checkbox"/> mm <input type="checkbox"/> INCH	DESIGN UNITS <input checked="" type="checkbox"/> mm <input type="checkbox"/> INCH	DIMENSIONS: <input type="checkbox"/> mm <input type="checkbox"/> INCH <input checked="" type="checkbox"/> mm ONLY	SHT 1 REV	
	DRAWN BY & DATE NLS 17/03/03	CHECKED BY & DATE G.L. 17/03/03	APPROVED BY & DATE G.L. 17/03/03	TITLE: 48 POS MALE CONNECTOR ACCORDING DIN 41612 STYLE R/2 CONTACTS ARRANGEMENT	MATERIAL NO. 85013-0050	DRAWING NO. SD-85013-0050	SHEET NO. 1 OF 1
	CAD FILENAME SD-85013-0050.S0	THIS DRAWING CONTAINS INFORMATION THAT IS PROPRIETARY TO MOLEX INCORPORATED AND SHOULD NOT BE USED WITHOUT WRITTEN PERMISSION.					
	DRAFT WHERE APPLICABLE MUST REMAIN WITHIN DIMENSIONS	THIS DRAWING CONTAINS INFORMATION THAT IS PROPRIETARY TO MOLEX INCORPORATED AND SHOULD NOT BE USED WITHOUT WRITTEN PERMISSION.					

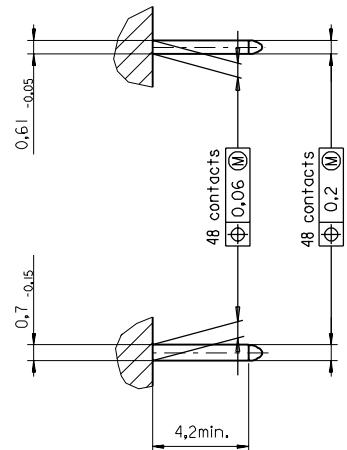
24-border.DGN REV A 96/06/12 LEVEL 6 19 18 17 16 15 14 13 12 11 10 9 8 7 6 5 4 3 2 1

PART NO.
DWG. NO.

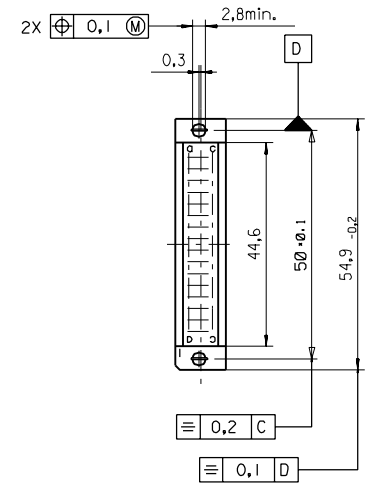
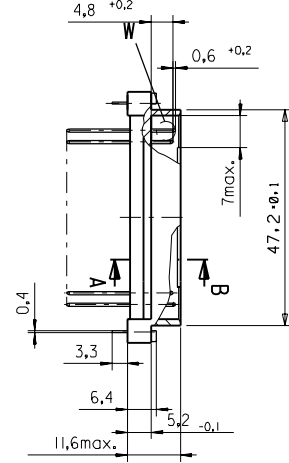
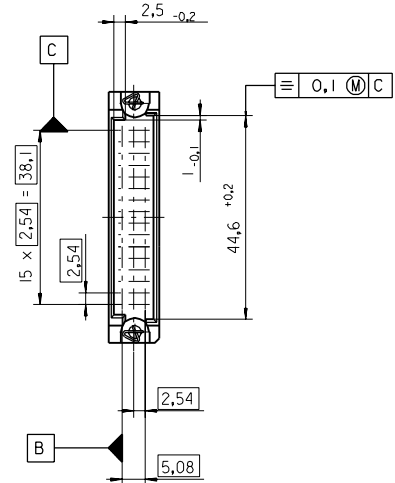
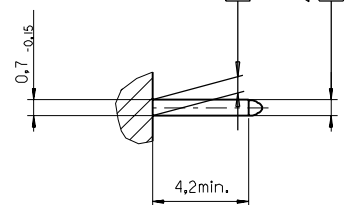
Section A - B
5:1



View X
5:1



View W
5:1



BI	first release see ECN No. 1887	LTR	FIRST ANGLE PROJECTION			REVISE ONLY ON CAD SYSTEM		SH.	REV.
			FOR PREVIOUS REVISIONS SEE MRI LIST	UNLESS OTHERWISE SPECIFIED TOLERANCES: ANGULAR ± 2°	DRWG BY Ca	SIGN	CAD/CAM PROJECT NAME 85013000 821	THIS DRAWING CONTAINS INFORMATION THAT IS PROPRIETARY TO MOLEX INC. & SHOULD NOT BE USED WITHOUT WRITTEN PERMISSION	
			3 PLACE ± . ±	INCH	CHK'D BY KN	SIGN	TITLE 48 pos. Male connector acc. DIN 41612 style R/2 Dimensions		
			2 PLACE ± . ±	METRIC	APP'D BY	SIGN	SHEET NO. DATE 1 OF 95/06/08		
			1 PLACE ± . ±		SCALE		MOLEX MOLEX EUROPE		
			DRAFT WHERE APPLICABLE MUST REMAIN WITHIN DIMENSIONS				PART NO. DWG NO. SIZE		
			DESIGN DIMENSION	<input checked="" type="checkbox"/> MM			SDA-85013-0002 B		
			EQUIVALENT DIMENSION	<input type="checkbox"/> MM					
			IF TWO DIMENSIONS ARE SHOWN THE UPPER IS THE DESIGN DIMENSION, LOWER IS SECONDARY						

VIEW ON MATING SIDE

∩	A	A	A	A	A	A	A	A	A	A	A	A	A	A	A	A	A	A	A	A
∞																				
◁	A	A	A	A	A	A	A	A	A	A	A	A	A	A	A	A	A	A	A	A

1 2 3 4 5 6 7 8 9 10 11 12 13 14 15 16 17 18 19 20 21 22 23 24 25 26 27 28 29 30 31 32

A = 32 STANDARD CONTACTS L=4,5

Marking	Standard
Performance level	G2/0 = Contact area perform. level2 / Termination tin
Flux proof	no
Fixing clip	no
Dimensions	SDA-85013-0002 sht.1
Technical Data	PS-85013-0001

A	G2/0	a1-16	c1-16
Contact symbol	Perform. level	Contact position number	

first release see ECN No. 1868	REVISIONS		FOR PREVIOUS REVISIONS SEE MRI LIST	
	∇	LTR		
UNLESS OTHERWISE SPECIFIED TOLERANCES: ANGULAR ± 2°		DRWG BY	SIGN	
INCH		Cc		
METRIC		CHK'D BY	SIGN	
3 PLACE ± .		KN		
2 PLACE ± .		APP'D BY	SIGN	
1 PLACE ± .				
DRAFT WHERE APPLICABLE MUST REMAIN WITHIN DIMENSIONS		SCALE		
DESIGN DIMENSION <input type="checkbox"/> MM <input type="checkbox"/> IN.				
EQUIVALENT DIMENSION <input type="checkbox"/> MM <input type="checkbox"/> IN.				
IF TWO DIMENSIONS ARE SHOWN, THE UPPER IS THE DESIGN DIMENSION, LOWER IS SECONDARY				
REVISE ONLY ON CAD SYSTEM		SH. REV.		
CAD/CAM PROJECT NAME		THIS DRAWING CONTAINS INFORMATION THAT IS PROPRIETARY TO MOLEX INC. & SHOULD NOT BE USED WITHOUT WRITTEN PERMISSION		
s8501300		s51		
TITLE		SHEET NO. DATE		
48 pos. Male connector acc. DIN 41612 style R/2 contacts arrangement		1 OF 1 95/06/07		
MOLEX EUROPE		DWG NO.		
85013-0050		SDA-85013-0050		
PART NO.		SIZE		
		A		