

# SPECIFICATIONS

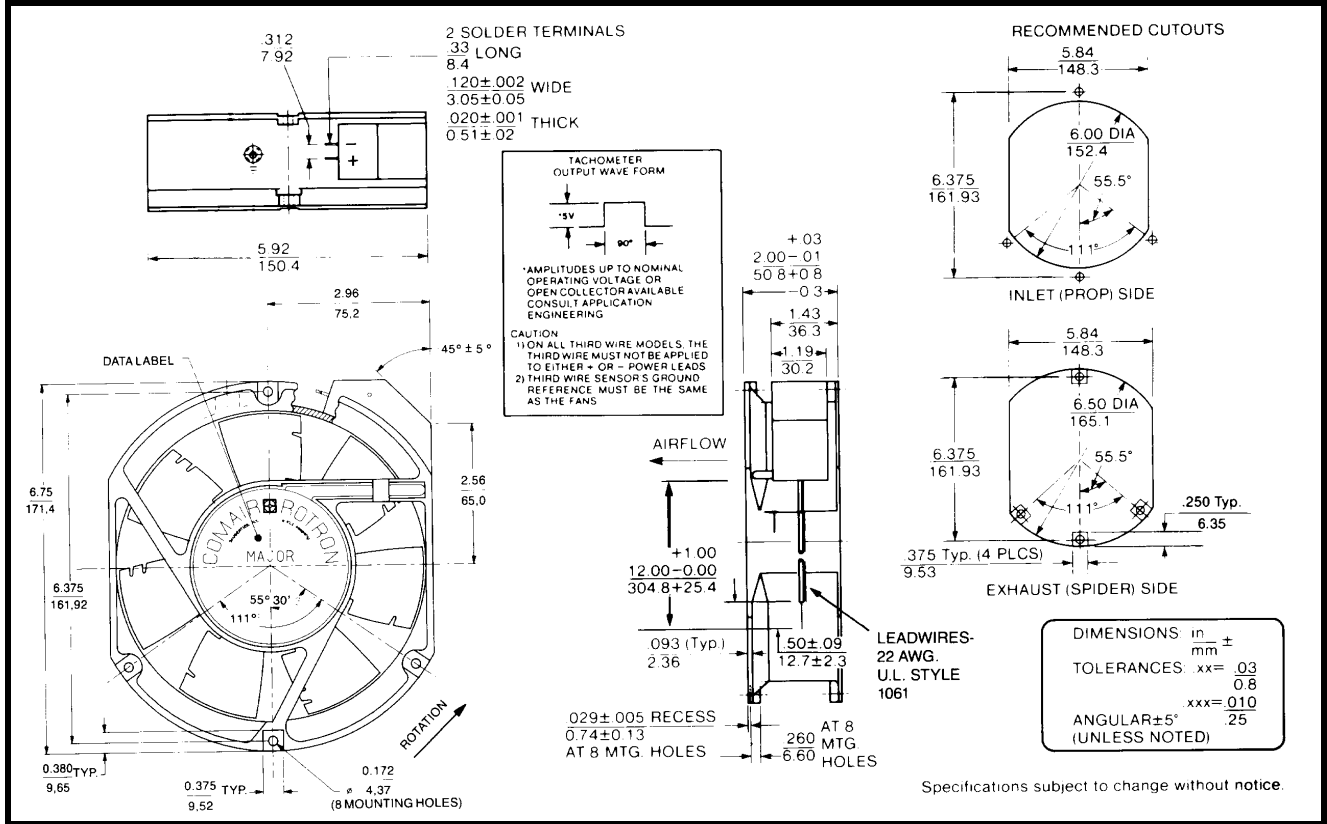
RoHS Compliant



**Model Number:** JQD48K3E2X-E3  
**Part Number:** 17001185A

**Rev:** 00  
**Jun 12, 2018**

## Mechanical Drawing:



### Motor:

Nominal Voltage	= 48 vdc
Operating Voltage Range	= 36 - 60 vdc
Nominal Running Current	= 0.90mps
Locked Rotor Current	= 1.50 amps
Running Power	= 43.2 watts
Average Speed	= 4200 RPM
Bearings	= Ball
Air Flow	= 285 CFM
Acoustic	= 58.9 dBA

### Construction:

Venturi: Die-cast aluminum, painted black  
 Propeller: Plastic, painted black

### Life Expectancy:

This fan is designed for continuous duty life of 58,000 hours at 70°C.

### Termination:

12"±1" (304.8±25.4mm) 22AWG UL1061 Leadwires

Red	= Power(+)
Black	= Return(-)
Blue/White	= Tach output
Yellow	= PWM control

### Additional Features:

Brushless DC Motor	
Soft Start Inrush Current	
Electronic Locked Rotor Protection	
Polarity Protected	
Automatic Restart Capability	
Operating Temperature:	-10°C to 70°C
Storage Temperature:	-40°C to 85°C
Environmental Protection:	Type 3(IP68)

### TACHOMETER:

Output:	Open Collector
Ic:	20 mA max.
Vcc:	60 Vdc max.
Pulses per Revolution:	2
Isolated:	No

### Speed Control:

PWM:	200 ~ 2 KHz, Open Collector
<10% Duty:	Off
10%~95% Duty:	Linear Ramp
>95% Duty or Open Lead Wire:	Full Speed

### Agency Approvals:

UL, CUL, CE

**PQ Curve:**

