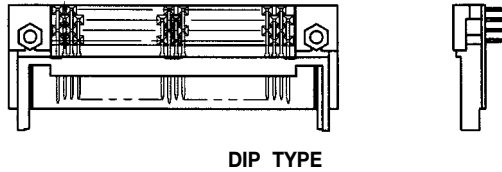
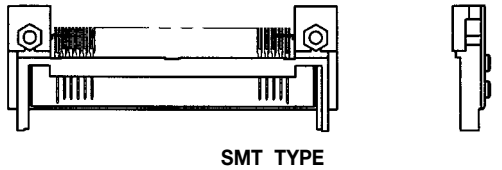


# PCMCIA PC Memory Card Connectors

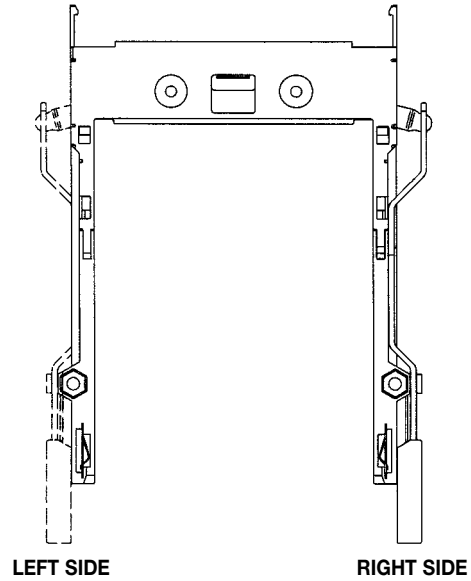


## Series 5025 Product Selection Guide

### CONNECTOR



### EJECTOR



### SINGLE SMT

Connector Style			Ejector Style Button Side	How To Order		Page
Stand Off	Voltage	Keying		Connector	Ejector	
Height=0	5v	Normal	Left	31 5025 068 305 871	30 5025 000 321 000	6, 7
			Right	31 5025 068 305 871	30 5025 000 322 000	
Height=0	5v	Reverse	Left	31 5025 068 355 871	30 5025 000 321 000	6, 7
			Right	31 5025 068 355 871	30 5025 000 322 000	

### SINGLE DIP

Connector Style			Ejector Style Button Side	How To Order		Page
Stand Off	Voltage	Keying		Connector	Ejector	
Height=0	5v	Normal	Left	31 5025 068 100 871	30 5025 000 321 000	8, 9
			Right	31 5025 068 100 871	30 5025 000 322 000	
Height=0	5v	Reverse	Left	31 5025 068 150 871	30 5025 000 321 000	8, 9
			Right	31 5025 068 150 871	30 5025 000 322 000	

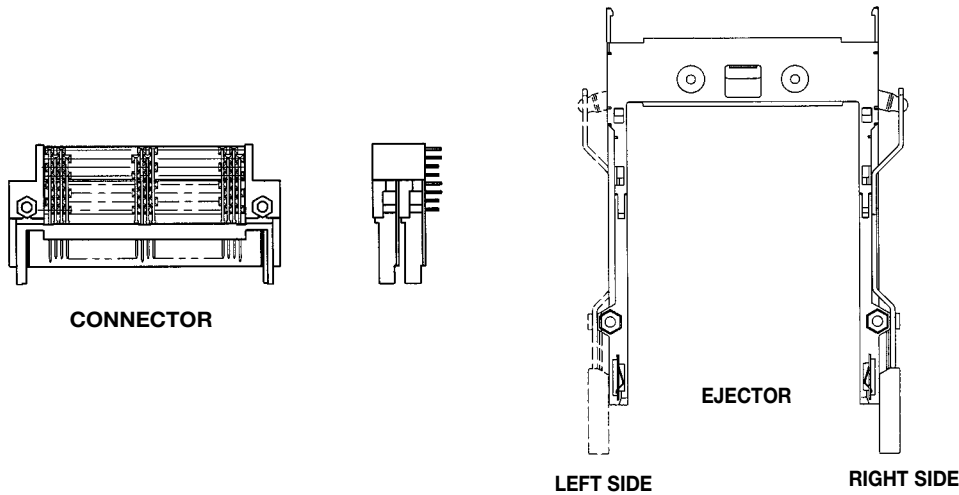
Note – If drawings are required then please contact your local sales office.

# PCMCIA PC Memory Card Connectors



## Series 5025 Product Selection Guide

### SERIES 5025



### DUAL DIP/DIP

Connector Style			Ejector Style	Assembly Number	How To Order	Page
Stand Off	Voltage	Keying	Button Side	Connector	Ejector	
Height=0	5v	Normal	Left/Left	<b>31 5025 136 500 871</b>	<b>30 5025 000 621 000</b>	10, 11
			Right/Right	<b>31 5025 136 500 871</b>	<b>30 5025 000 622 000</b>	
			Left/Right	<b>31 5025 136 500 871</b>	<b>30 5025 000 623 000</b>	
			Right/Left	<b>31 5025 136 500 871</b>	<b>30 5025 000 624 000</b>	
Height=0	5v	Reverse	Left/Left	<b>31 5025 136 550 871</b>	<b>30 5025 000 621 000</b>	10, 11
			Right/Right	<b>31 5025 136 550 871</b>	<b>30 5025 000 622 000</b>	
			Left/Right	<b>31 5025 136 550 871</b>	<b>30 5025 000 623 000</b>	
			Right/Left	<b>31 5025 136 550 871</b>	<b>30 5025 000 624 000</b>	

Note – If drawings are required then please contact your local sales office.

Assembly number for connector above comprises of a lower and upper header that needs to be ordered separately. See below on How To Order.

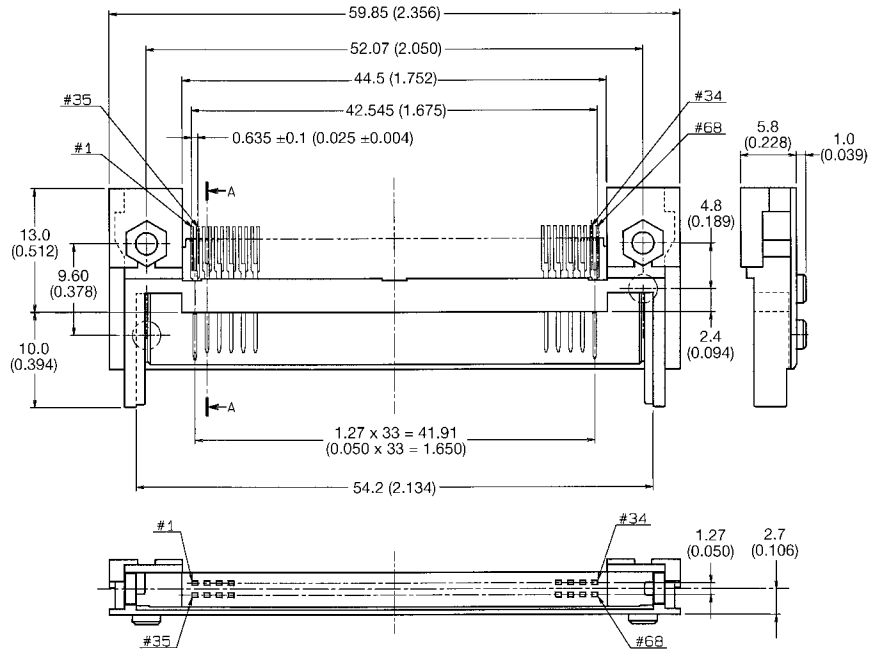
Assembly Number	Header Type	How To Order	Page
<b>31 5025 136 500 871</b>	Upper Header	<b>31 5025 068 200 871</b>	10, 11
	Lower Header	<b>31 5025 068 100 871</b>	
<b>31 5025 136 550 871</b>	Upper Header	<b>31 5025 068 250 871</b>	10, 11
	Lower Header	<b>31 5025 068 150 871</b>	

# PCMCIA PC Memory Card Connectors



## Series 5025 SMT SINGLE Header/Ejector Assembly

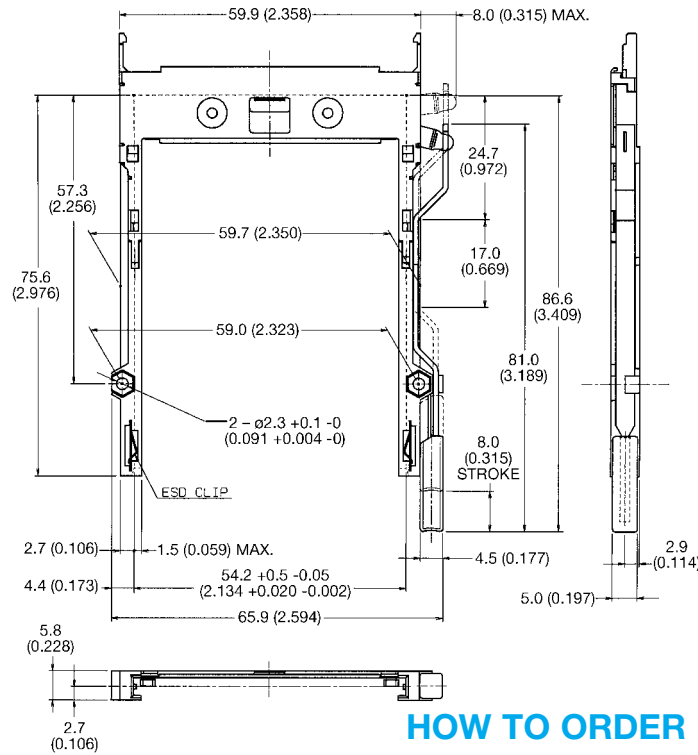
### CONNECTOR



### HOW TO ORDER

31 5025 068 305 871

### EJECTOR



### HOW TO ORDER

30 5025 000 322 000

Variation Code  
See page 4

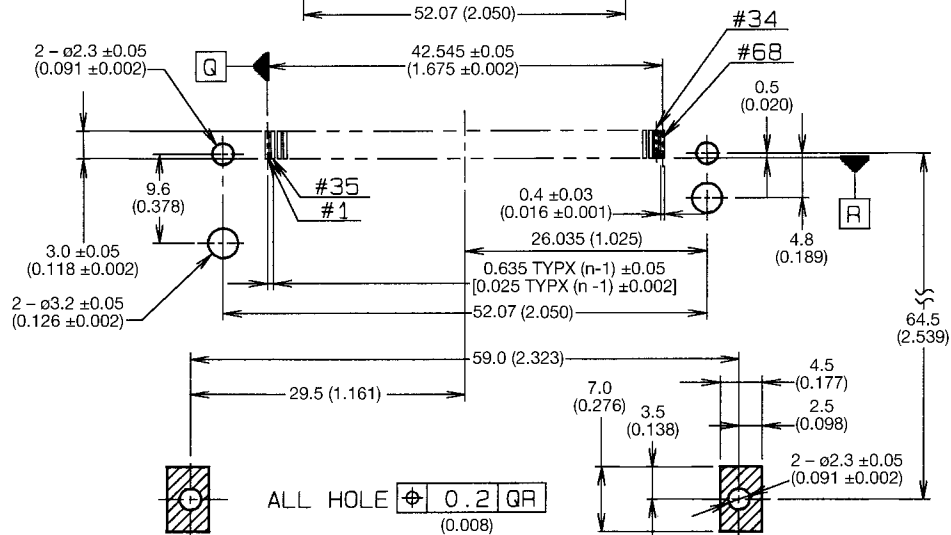
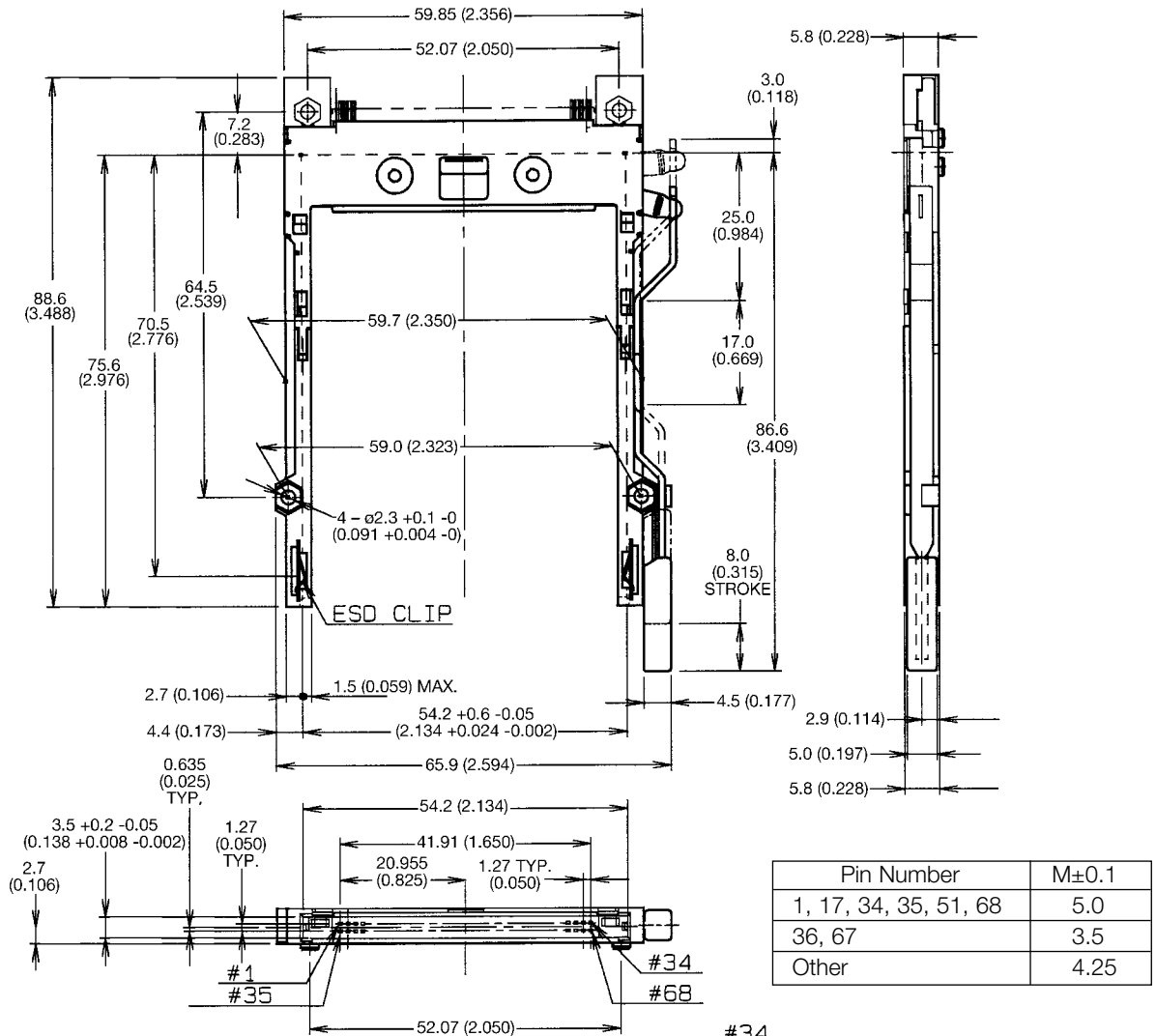
Variation Code  
See page 4

# PCMCIA PC Memory Card Connectors



## Series 5025 SMT SINGLE Header/Ejector Assembly

### ASSEMBLY



RECOMMENDED PRINTED CIRCUIT LAYOUT

See page 4 for How To Order

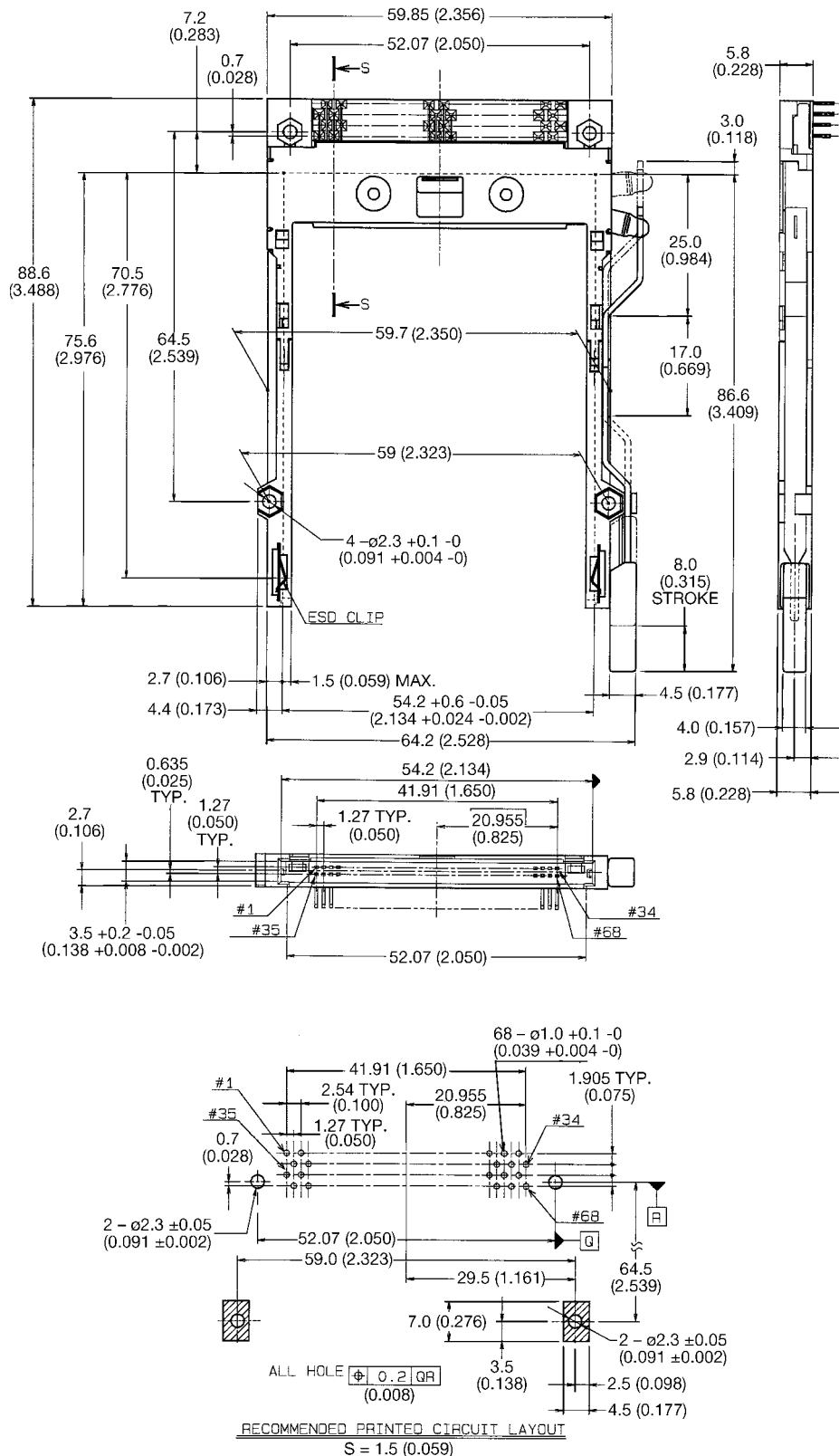


# PCMCIA PC Memory Card Connectors



## Series 5025 DIP SINGLE Header/Ejector Assembly

### ASSEMBLY



See page 4 for How To Order

# PCMCIA PC Memory Card Connectors

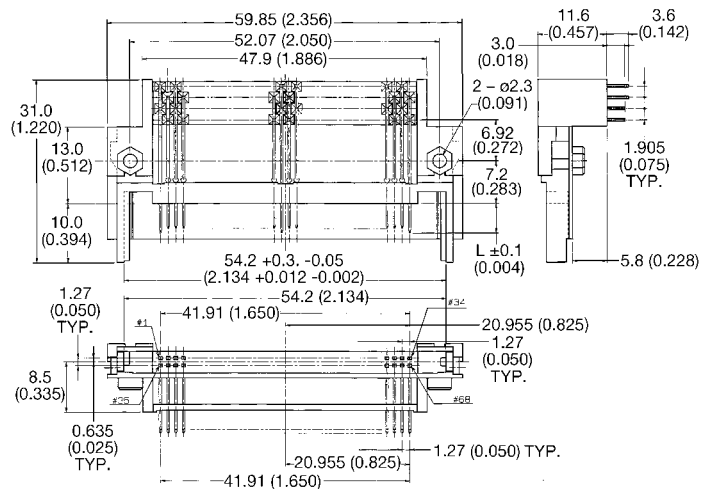
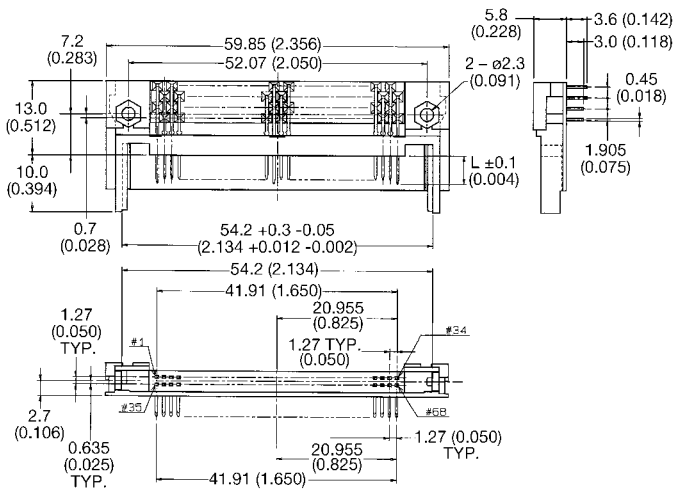


## Series 5025 DIP DUAL Header/Ejector Assembly

### CONNECTOR

LOWER

UPPER



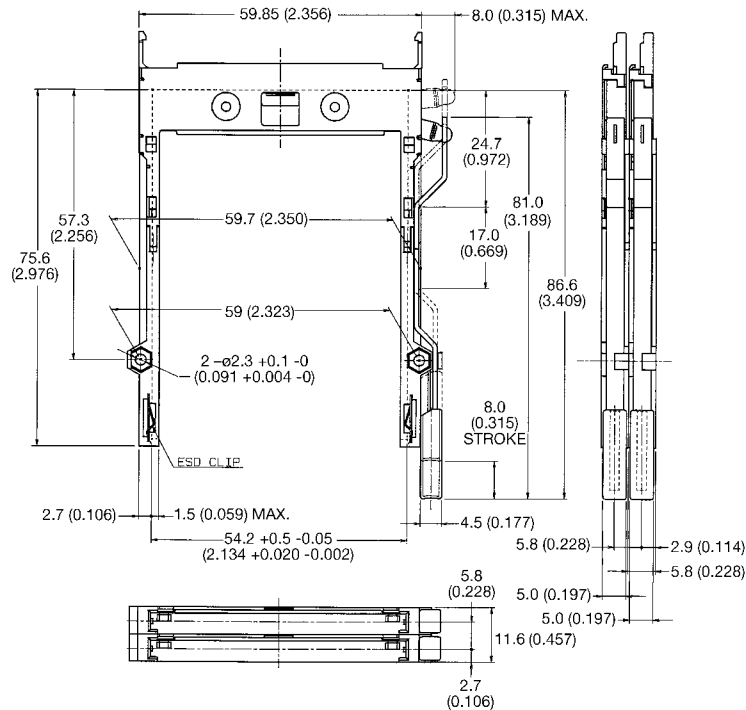
### ASSEMBLY NUMBER

31 5025 136 5X0 871

#### Variation Code

See page 5  
500 = Normal  
550 = Reverse

### EJECTOR



### HOW TO ORDER

30 5025 000 622 000

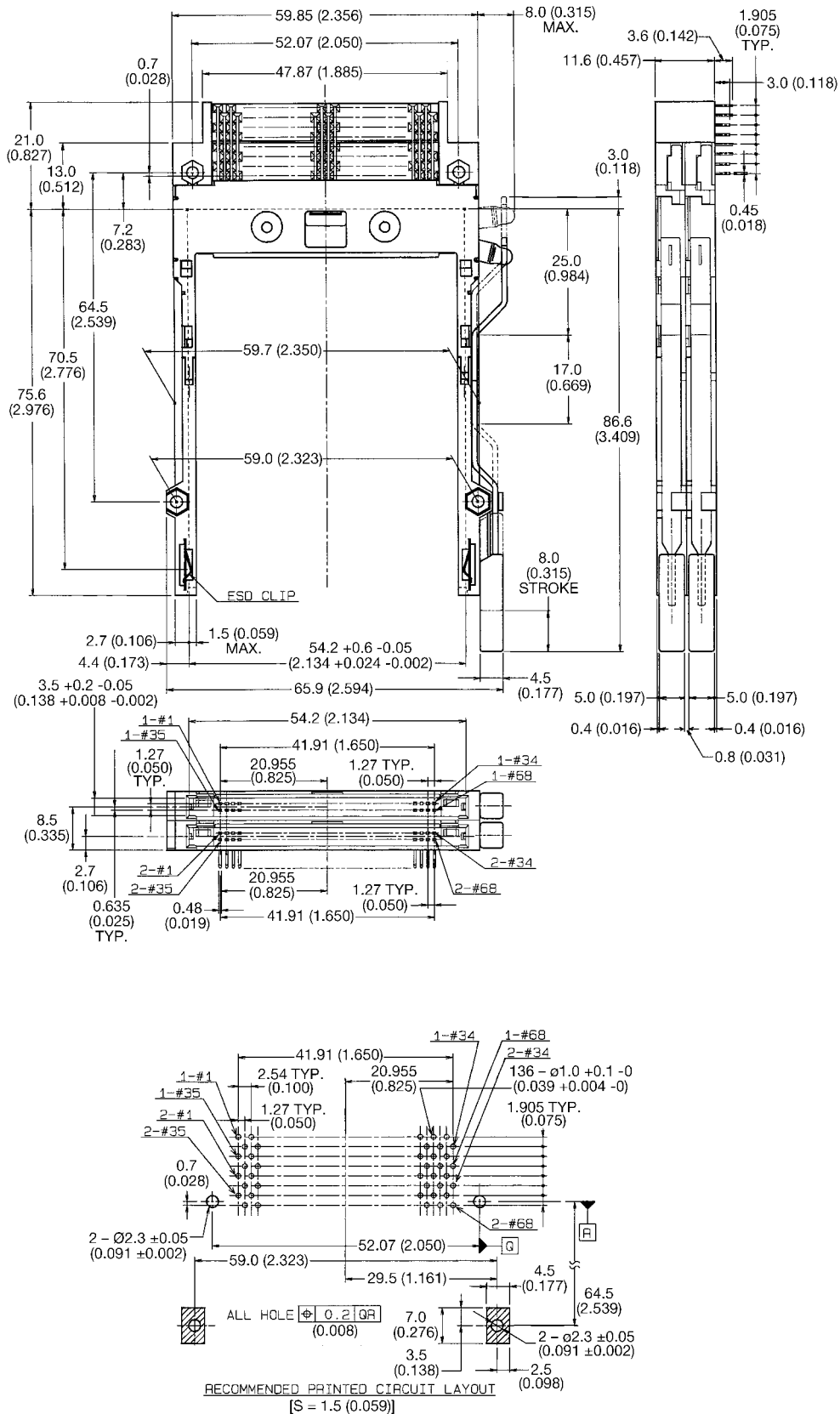
Variation Code  
See page 5

# PCMCIA PC Memory Card Connectors



## Series 5025 DIP DUAL Header/Ejector Assembly

### ASSEMBLY



See page 5 for How To Order



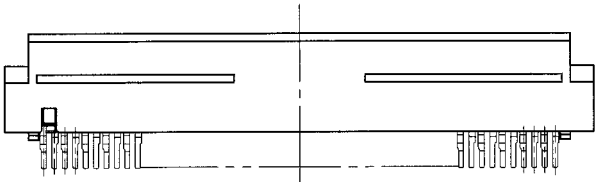
# PCMCIA PC Memory Card Connectors

## Series 5069 Product Selection Guide

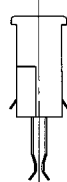
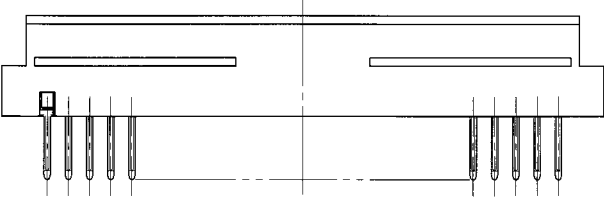


### SERIES 5069

**SINGLE SIDE**



**STRADDLE TAIL**



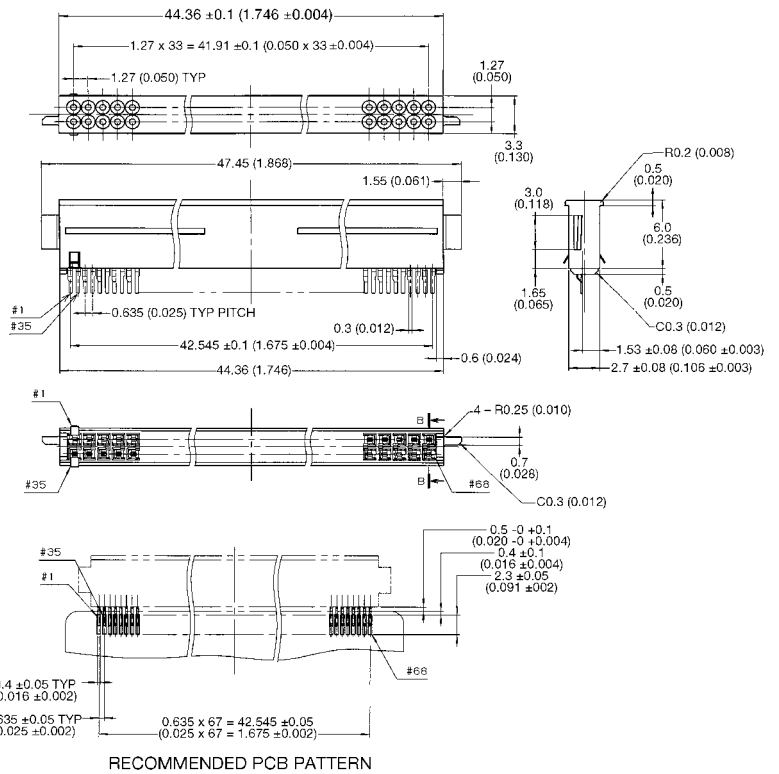
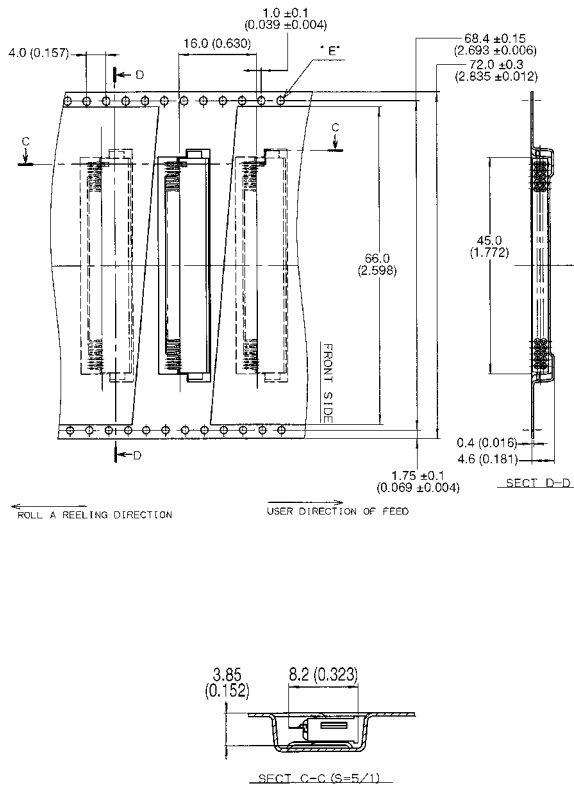
Solder Tail Style	How To Order	Packaging		
		Straddle Mount	<b>20 5069 068 003 871</b>	Semi-Hard Tray
Single Side	<b>24 5069 068 901 835</b>	Tape and Reel	1000 Tape and Reel	

# PCMCIA PC Memory Card Connectors



## Series 5069 Receptacle Connectors

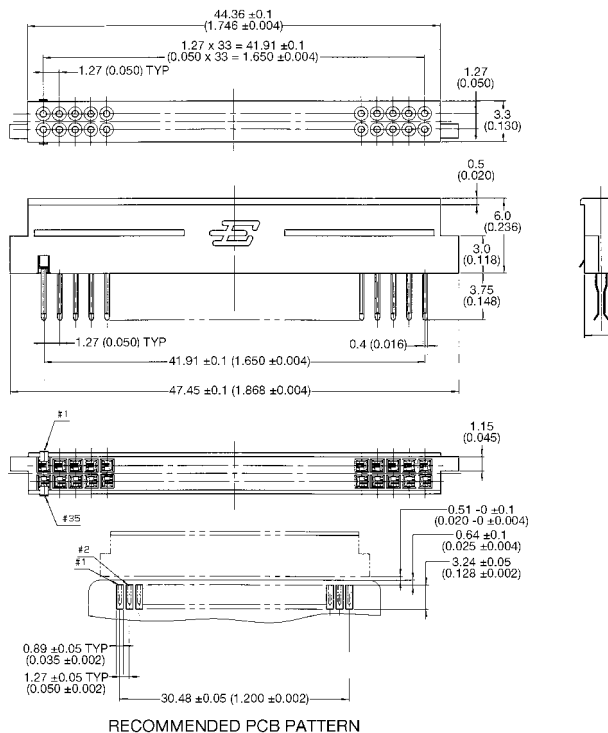
### SINGLE SIDE



### HOW TO ORDER

24 5069 068 901 835

### STRADDLE



1000 per Tape and Reel

### HOW TO ORDER

20 5069 068 003 871

840 per Box