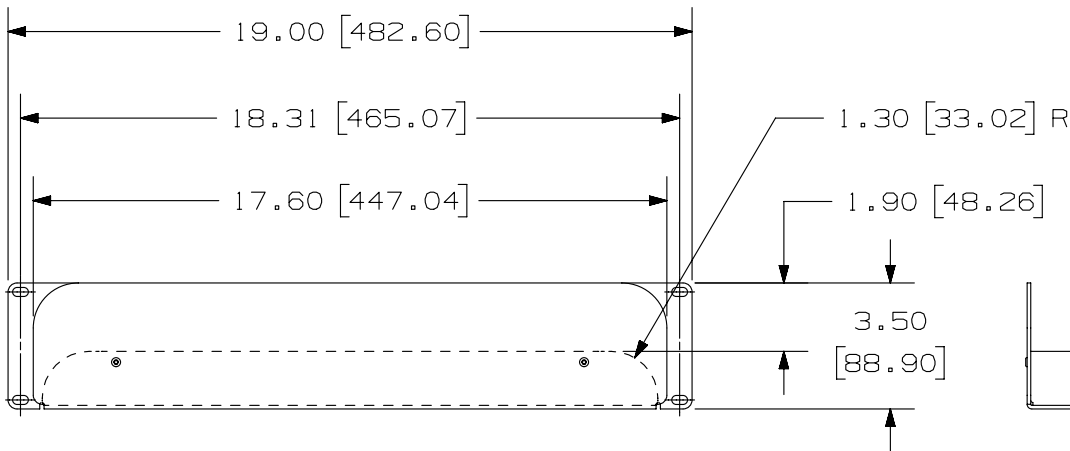
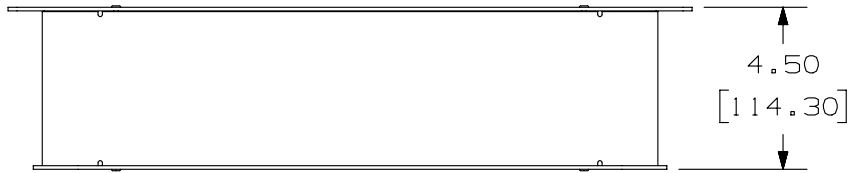


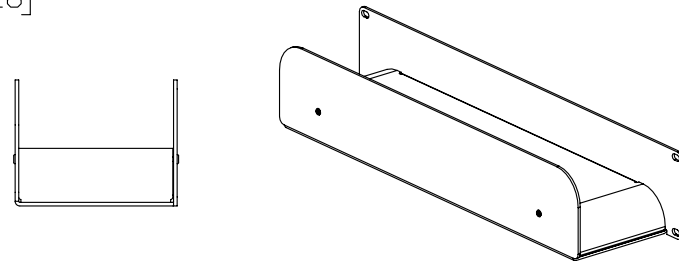
THIS COPY IS PROVIDED ON A RESTRICTED BASIS AND IS NOT TO BE USED IN ANY WAY DETRIMENTAL TO THE INTERESTS OF PANDUIT CORP.

NOTES:

1. SEE CATALOG FOR COMPLETE LIST OF PARTS APPLICABLE FOR USE WITH THIS PART.
2. DIMENSIONS IN PARENTHESES ARE IN METRIC.
3. MATERIAL: .10 THICK ALUMINUM
4. FINISH: BLACK POWDER COAT.
5. TROUGH IS DESIGNED TO FIT STANDARD "EIA" AND "WECO" RACK SPACING.



PANDUIT P/N	WEIGHT
CMUT19	2.38 LB/1 PC (1,184 g/1 PC)



REV	DATE	BY	CHK	APR	DESCRIPTION	ECN
03A	6-23-14	BAME	FGR	TCO	REVISED TITLE BLOCK	00852-32
R	5-4-00	AFW			RELEASED TO PRODUCTION	00852-32

TITLE CABLE MANAGEMENT UPPER TROUGH 19" (CMUT19)			
CUSTOMER DRAWING			
ITEM REVISION NAME M00852AC/03		PANDUIT	
DATASET FILE NAME M00852AC_DC/03A			
UNLESS OTHERWISE SPECIFIED, DIMENSIONAL TOLERANCES ARE: IN (mm)		MATERIAL: N/A	
.X ± .XX ±		.XXX ± ANGLES ±	
		THIRD ANGLE PROJECTION	
DRAWN BY AFW	DATE 5-4-00	CHK	SCALE NONE
DRAWING NUMBER: 00852-32		SHT 1 OF 1	
		SIZE A	