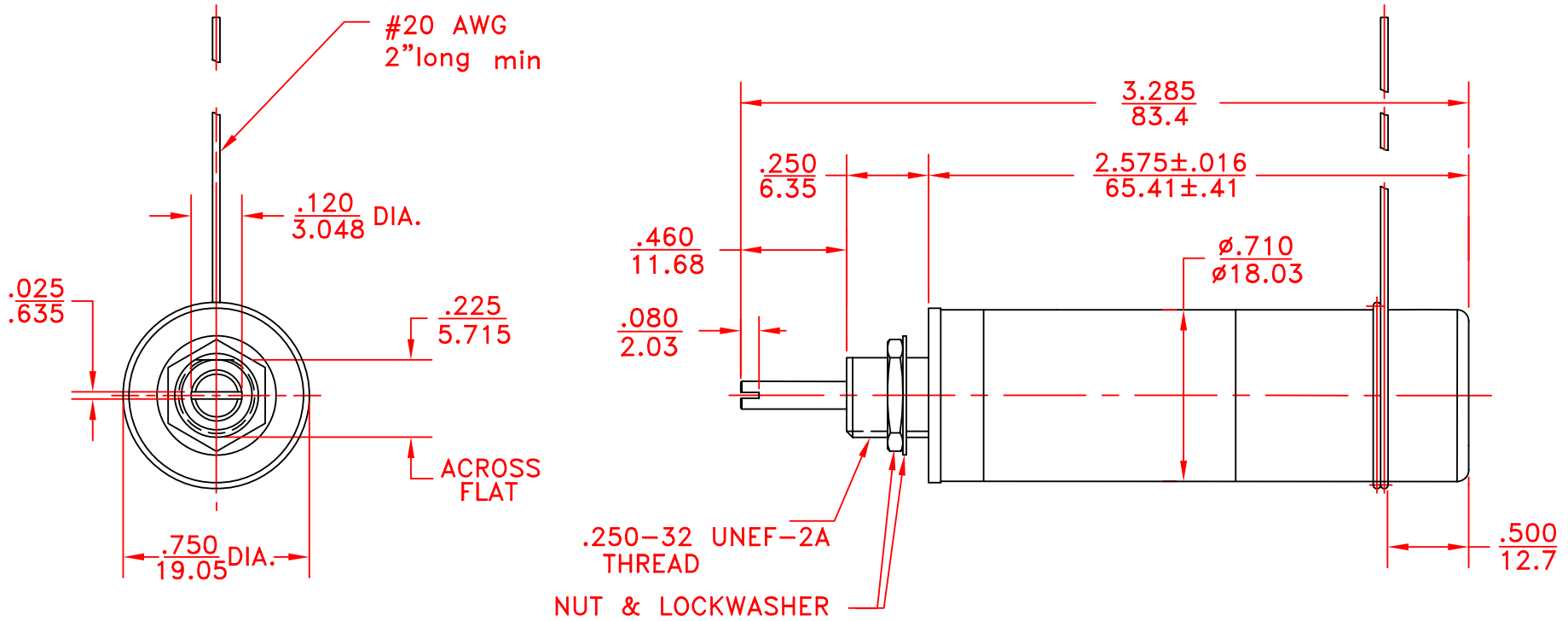


REV	DESCRIPTION	DATE	APP
00	NEW DWG	05/09/12	D.D.



**NOTES:**

1. CAPACITANCE:  $C_{max} \geq 100$  pF,  $C_{min} \leq 10.0$ pF.
2. WORKING VOLTAGE : 6000 VDC.
3. WITHSTANDING VOLTAGE : 12000 VDC.
4.  $Q \geq 500$  @ 25MHZ
5. TORQUE: 0.5 TO 5.0 oz-in.
6. OPERATING TEMPERATURE :  $\leq -55^{\circ}\text{C}$  UP TO  $125^{\circ}\text{C}$
7. CONSTRUCTION : 40 psi SEALED, NON MAGNETIC.
8. DIMENSIONS IN INCHES/MM.
9. ROTATIONAL LIFE: 10,000 TURNS

TOLERANCES: (EXCEPT AS NOTED)	SPRAGUE GOODMAN ELECTRONICS INC. 1700 SHAMES DRIVE WESTBURY, NY 11590		
DECIMAL: $\pm .002$ in $\pm .051$ mm	MATERIAL:	SCALE: NONE	DRAWN BY: R. LEVIN APPROVED: S. GRINBERG
FRACTIONAL: 1/64	TITLE: OUTLINE DWG SGNMNC31006E		USED FOR:
ANGULAR: 1°	DATE: 05/09/12	DRAWING NUMBER SGNMNC31006E	REV. 01