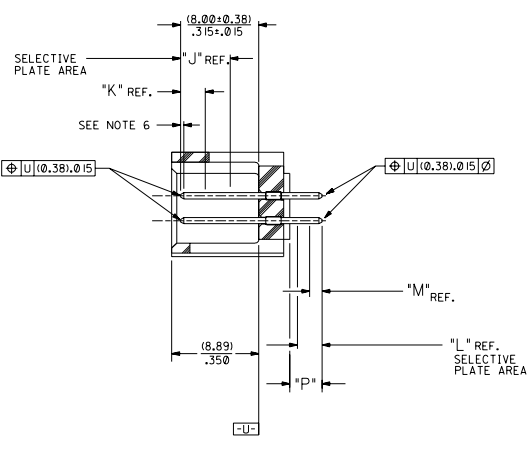


RECOMMENDED P.C. BOARD HOLE LAYOUT



SECTION J-J

NOTES:

- 1- 20 CIRCUIT SIZE SHOWN FOR ILLUSTRATION PURPOSES.
- 2- PIN PUSHOUT FORCE: (17.79 N)/4 LBS.
- 3- PINS MUST MEET SOLDERABILITY SPEC. MIL-STD-202 METHOD 208B.
- 4- WINDOW NOT AVAILABLE ON 6 AND 8 CIRCUIT SIZE.
- 5- FOR CHARTED DIMENSIONS AND ASSEMBLY NO.S NOT SHOWN ON THIS SHEET - SEE SHEET 2.
- 6- ROW TO ROW PIN HEIGHT VARIATION MUST NOT EXCEED (0.13)/.005 IN.
- 7- PRODUCT CONFORMS TO PS-8723.

MATERIAL:

SHROUDED WAFER: GLASS FILLED POLYESTER, 94V-0; COLOR: BLACK.
PINS: PHOSPHOR BRONZE,
SEE SHEET 2 FOR FINISHES.

ASSEMBLY STYLE "A" AND "B"

CKT.	DIM. "A"		DIM. "B"		DIM. "C"		DIM. "D"		DIM. "E"	
	INCH	MILL	INCH	MILL	INCH	MILL	INCH	MILL	INCH	MILL
06	(1.68) .066	(8.43) .332	(5.08) .200	(1.68) .066						
08	(1.68) .066	(10.97) .432	(7.62) .300	(1.68) .066						
10	(1.68) .066	(13.51) .532	(10.16) .400	(4.22) .166						
12	(1.68) .066	(16.05) .632	(12.70) .500	(4.22) .166						
14	(1.68) .066	(18.59) .732	(15.24) .600	(6.76) .266						
16	(1.68) .066	(21.13) .832	(17.78) .700	(6.76) .266						
18	(1.68) .066	(23.67) .932	(20.32) .800	(9.30) .366						
20	(1.68) .066	(26.21) .1032	(22.86) .900	(1.68) .066	(19.46) .766					
22	(1.68) .066	(28.75) .1132	(25.40) .1000	(1.68) .066	(22.00) .866					
24	(1.68) .066	(31.29) .1232	(27.94) .1100	(1.68) .066	(24.54) .966					
26	(1.68) .066	(33.83) .1332	(30.48) .1200	(1.68) .066	(27.08) .1066					
28	(1.68) .066	(36.37) .1432	(33.02) .1300	(1.68) .066	(29.62) .1166					
30	(1.68) .066	(38.91) .1532	(35.56) .1400	(1.68) .066	(32.16) .1266					
32	(1.68) .066	(41.45) .1632	(38.10) .1500	(1.68) .066	(34.70) .1366					
34	(1.68) .066	(43.99) .1732	(40.64) .1600	(1.68) .066	(37.24) .1466					
36	(1.68) .066	(46.53) .1832	(43.18) .1700	(1.68) .066	(39.78) .1566					
38	(1.68) .066	(49.07) .1932	(45.72) .1800	(1.68) .066	(42.32) .1666					
40	(1.68) .066	(51.61) .2032	(48.26) .1900	(1.68) .066	(44.86) .1766					
42	(1.68) .066	(54.15) .2132	(50.80) .2000	(1.68) .066	(47.40) .1866					
44	(1.68) .066	(56.69) .2232	(53.34) .2100	(1.68) .066	(49.94) .1966					
46	(1.68) .066	(59.23) .2332	(55.88) .2200	(1.68) .066	(52.48) .2066					
48	(1.68) .066	(61.77) .2432	(58.42) .2300	(1.68) .066	(55.02) .2166					
50	(1.68) .066	(64.31) .2532	(60.96) .2400	(1.68) .066	(57.56) .2266					
52	(1.68) .066	(66.85) .2632	(63.50) .2500	(1.68) .066	(60.10) .2366					
54	(1.68) .066	(69.39) .2732	(66.04) .2600	(1.68) .066	(62.64) .2466					
56	(1.68) .066	(71.93) .2832	(68.58) .2700	(1.68) .066	(65.18) .2566					
58	(1.68) .066	(74.47) .2932	(71.12) .2800	(1.68) .066	(67.72) .2666					
60	(1.68) .066	(77.01) .3032	(73.66) .2900	(1.68) .066	(70.26) .2766					
62	(1.68) .066	(79.55) .3132	(76.20) .3000	(1.68) .066	(72.80) .2866					
64	(1.68) .066	(82.09) .3232	(78.74) .3100	(1.68) .066	(75.34) .2966					
66	(1.68) .066	(84.63) .3332	(81.28) .3200	(1.68) .066	(77.88) .3066					
68	(1.68) .066	(87.17) .3432	(83.82) .3300	(1.68) .066	(80.42) .3166					
70	(1.68) .066	(89.71) .3532	(86.36) .3400	(1.68) .066	(82.96) .3266					
72	(1.68) .066	(92.25) .3632	(88.90) .3500	(1.68) .066	(85.50) .3366					

- U ADD -3803 OPT
DCP-2804-2268
DMORGAN 04/05/20
- T LEAD FREE
USP2004-179
R WHITE 04/04/26
- S ADD -3802 OPTION
ECN #02P-2804-052
DMORGAN 04/01/2
- R2 TAB DIF DIM 6 CIR
ECN #010 0999-0145
DMORGAN 56/09/01
- R1 ADD WDG LATCH NOTE
ECN #010 0998-0399
DMORGAN 56/06/23
- R ADDED SHEET 7
- O REMOVE FDP NO.S
PER ECR NO US0225
05-04-93 B.S.
- P CHGD WINDOW NOTES
PER ECR NO US30316
05-04-93 B.S.
- O CHANGED MATERIAL
PER ECR NO US0146
01-22-93 B.S.
- R2 REVISED & REDRAWN
PER ECR NO US2073
05-29-92 B.S.
- LTR REVISIONS

DIMENSIONS SHOWN METRIC INCH
 UNLESS OTHERWISE SPECIFIED
 1 INCH = 25.4 MILLIMETERS
 1 MILLIMETER = 0.03937 INCHES
 DIM. METRIC DIM. INCH
 1 P.L.K. ± .005 ± .013
 2 P.L.K. ± .01 ± .013
 1 P.L.K. --- ± .025
 DIMENSIONS APPLICABLE MUST
 BEADY WITH DIMENSIONS
 MFG. SH. REV. LTR. REVISIONS
 TITLE SALES ASSEMBLY
 WAFER - STRAIGHT MT. FULLY SHROUDED
 .1000 GRID - FOR USE W/ .005 SQ. PINS
 WITH .066 END WALLS
 MOLEX INCORPORATED SHEET NO. 1 OF 7
 DATE 08/23/97
 SEE CHART SDA-8723-*****
 FILE NO. 58723A11
 SCALE 4:1
 DATE 08/23/97
 DRAWN BY DA

