

PART NAME: KNOB

SCALE: 1:1

DATE: 9/29/97

DR. BY HD



DESIGNERS & MANUFACTURERS OF KNOBS, HANDLES, CASES & CUSTOM PLASTIC COMPONENTS

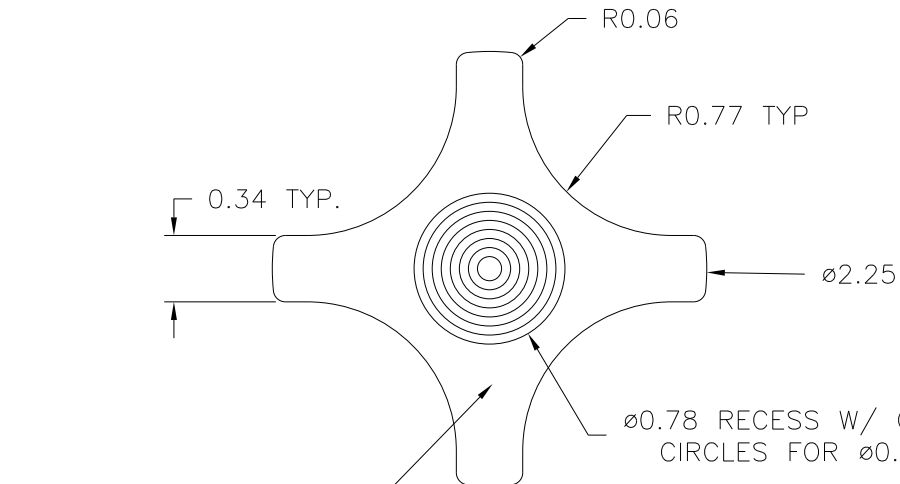
P/N 2837-W

THIS DRAWING IS THE PROPERTY OF DAVIES MOLDING COMPANY. IS SUBMITTED SOLELY AS A DESIGN OR ENGINEERING PROJECT. WE ACCEPT NO RESPONSIBILITY WHATSOEVER FOR THE PRACTICAL APPLICATION OF THE PIECES MADE TO THIS DESIGN.

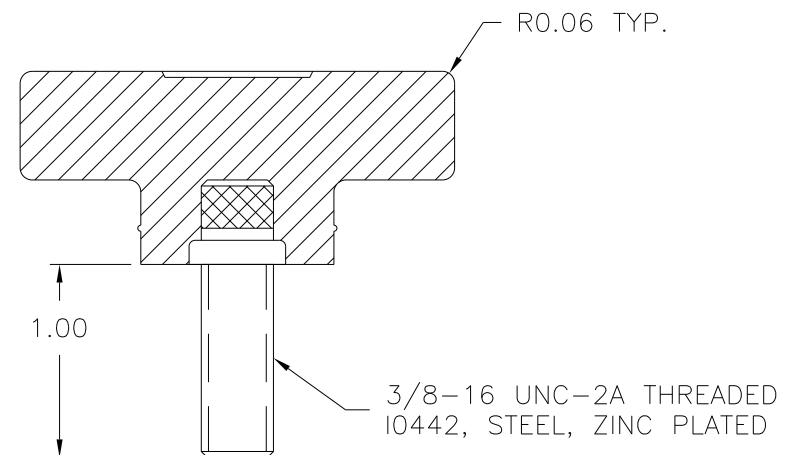
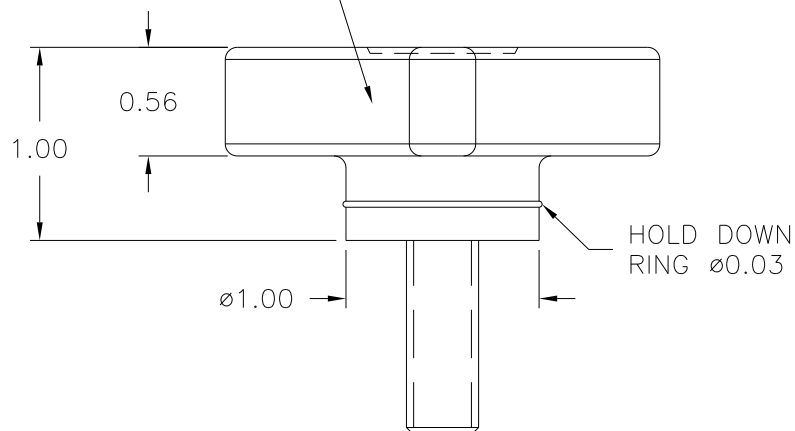
DO NOT SCALE DRAWING

M^{NO.} 73

CAVITY	2837
CAVITY PLUG	2837
CORE	2837
SLEEVE	M-2837
PIN	2837-E
INSERT	I0442



TEXTURED OUTSIDE SURFACES (UT-1090)



ⓑ MATERIAL: NYLON 6/6 (ZY2), (ZY6)
OR ENGINEERING APPROVED EQUIVALENT
COLOR: BLACK

TOLERANCES: UNLESS OTHERWISE SPECIFIED	DO NOT SCALE DRAWING	B	WAS CLC, ADDED ZY6	JAM	6/25/12
DECIMALS: X.XXX ± .005 X.XX ± .015	MM: X.XX ± 0.15MM X.X ± 0.4MM	A	ADDED MAT. CODE	JAM	12/28/06
FRACTIONS ± 1/64	ANG. ± 1°	-	REDRAWN	TL	11/22/99
CHANGES					