

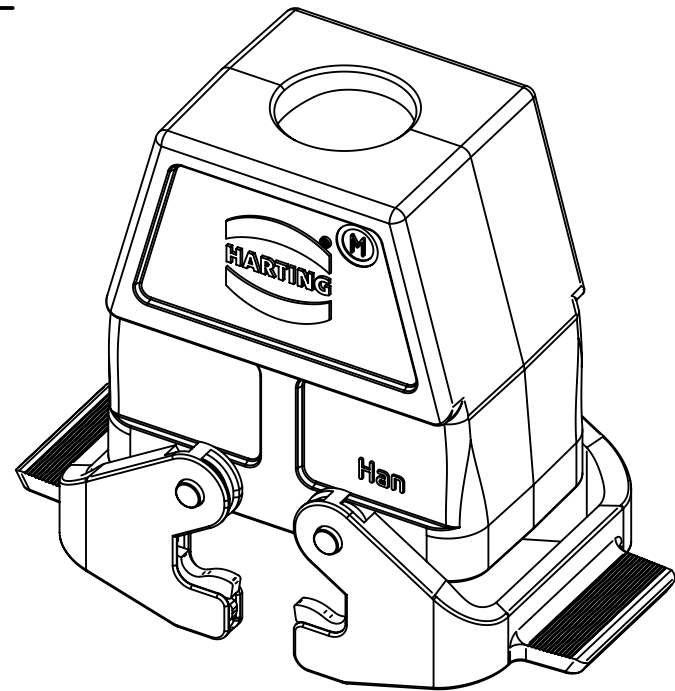
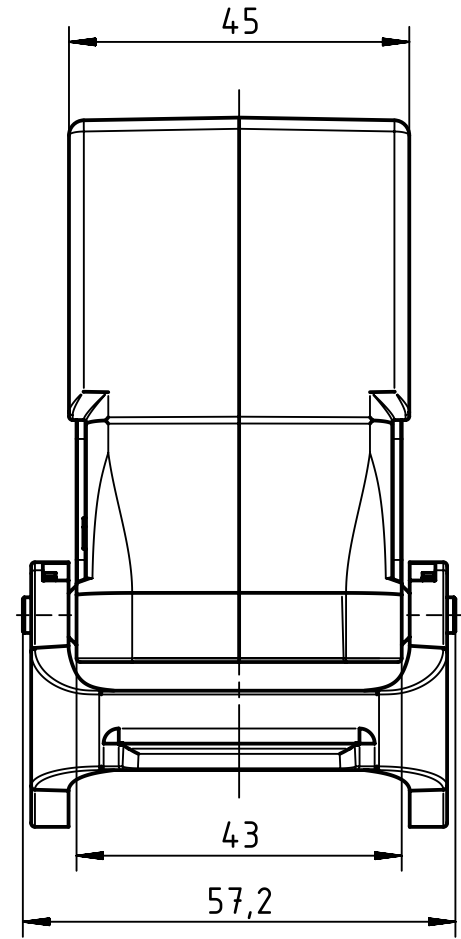
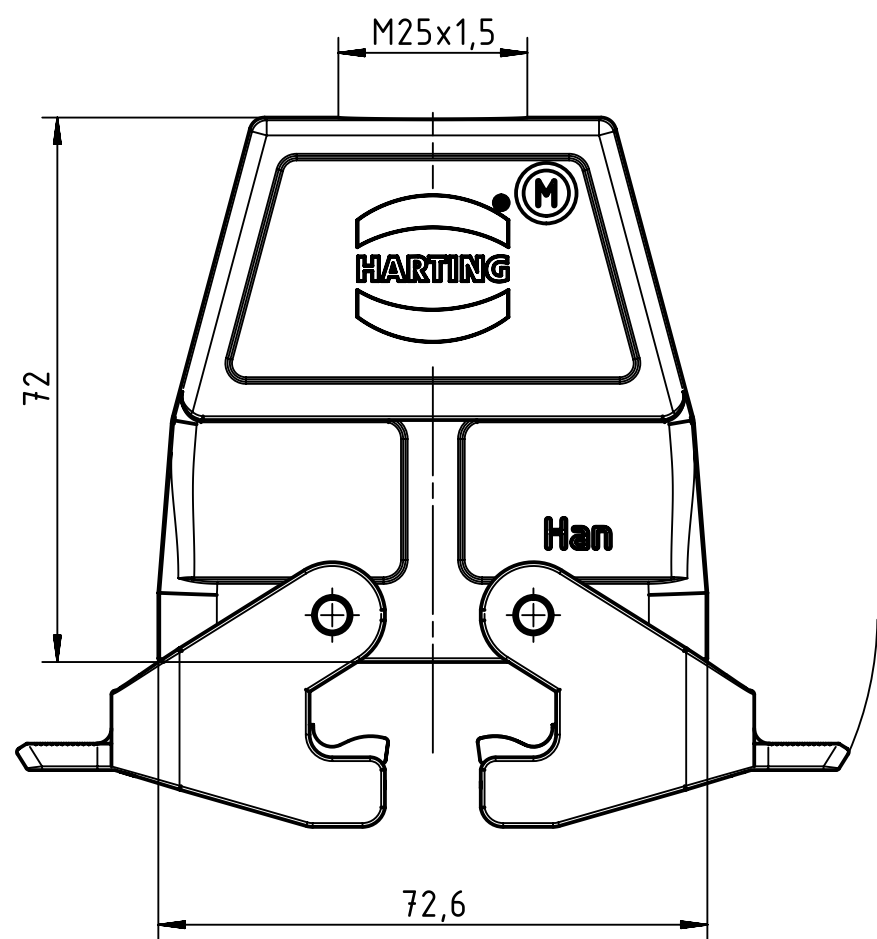
1 2 3 4 5 6


A

B

C

D



	All Dimensions in mm Original Size DIN A4		Scale 1:1		Free size tol.		Ref.			
	All rights reserved Department EL PD - DE		Created by SCHULZI		Inspected by BERGHORN		Standardisation TIEMANNA			
HARTING Electric GmbH & Co. KG D-32339 Espelkamp		Title Han 10B-gg-QB-M25					Date 2014-07-21		State Final Release	
		Type TB					Number 19 30 010 0436		Doc-Key / ECM-Nr. 100232800/UGD/004/A 500000061817	
							Rev. A		Page 1/1	