

# SPECIFICATION FOR APPROVAL



TO: \_\_\_\_\_

PART NO.		REV.		DELTA SAMPLE ISSUE NO	
PART NAME	EMI FILTER			DELTA MODEL	20TYS9
ORDER P/N.	20TYS9			SAMPLE ISSUE DATE	

1. ELECTRICAL CHARACTERISTICS:

- 1-1. VOLTAGE RATING ..... 440VAC
- 1-2. CURRENT RATING
  - A. AT 440VAC ..... 20 A RMS Max.
- 1-3. OPERATING FREQUENCY..... 50/60 Hz
- 1-4. LEAKAGE CURRENT: EACH LINE TO GROUND
  - A. @400VAC 50Hz ..... 1.92 mA Max.
- 1-5. HIPOT RATING (FOR ONE MINUTE)
  - A. LINE TO GROUND ..... 2000VDC
  - B. LINE TO LINE ..... 1700VDC
- 1-6. TEMPERATURE RANGE: -25 TO +100 DEGREE C
- 1-7. MINIMUM INSERTION LOSS IN dB: (AT 50 OHM SYSTEM)

FREQ. MHz	.01	.05	.10	.15	.50	1.0	5.0	10	30
COM. MODE dB	5	5	10	10	15	20	35	40	25
DIF. MODE dB	0	5	10	10	15	20	20	25	20

1-8. SAFETY

REPORT BY	CHECKED BY	APPROVED BY		
			REV.	

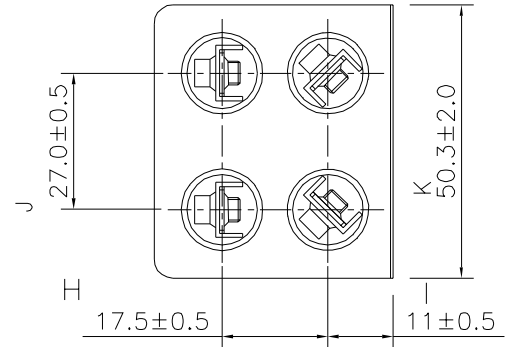
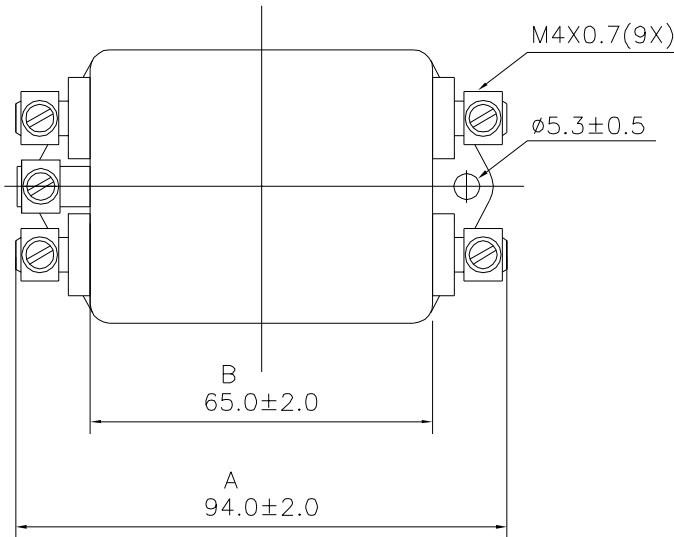
# SPECIFICATION FOR APPROVAL



TO: \_\_\_\_\_

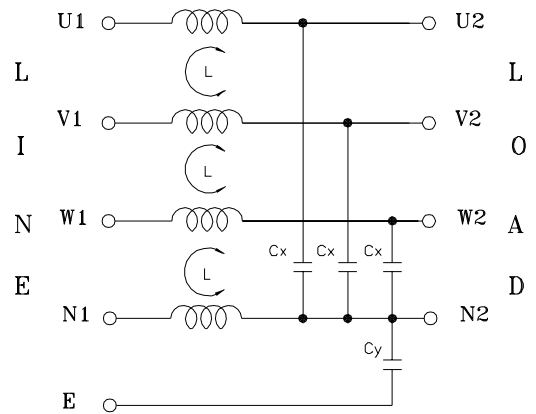
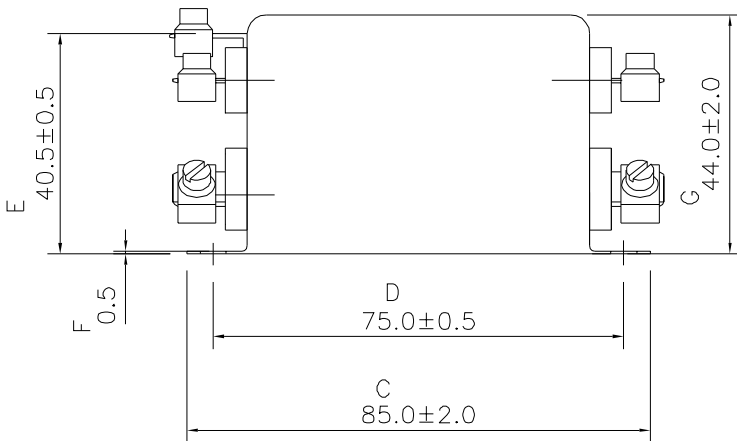
PART NO.		REV.		DELTA SAMPLE ISSUE NO	
PART NAME	EMI FILTER			DELTA MODEL	20TYS9
ORDER P/N.	20TYS9			SAMPLE ISSUE DATE	

## 2. PHYSICAL DIMENSIONS:



UNIT: mm

## 3. SCHEMATIC:



L: 0.15mH  
Cx: 0.1uF  
Cy: 22nF

REPORT BY	CHECKED BY	APPROVED BY	UNLESS OTHERWISE SPECIFIED DIMENSION TOLERANCE DCEIMALS .X±      .XX±      ANGLES±		
			REV.		