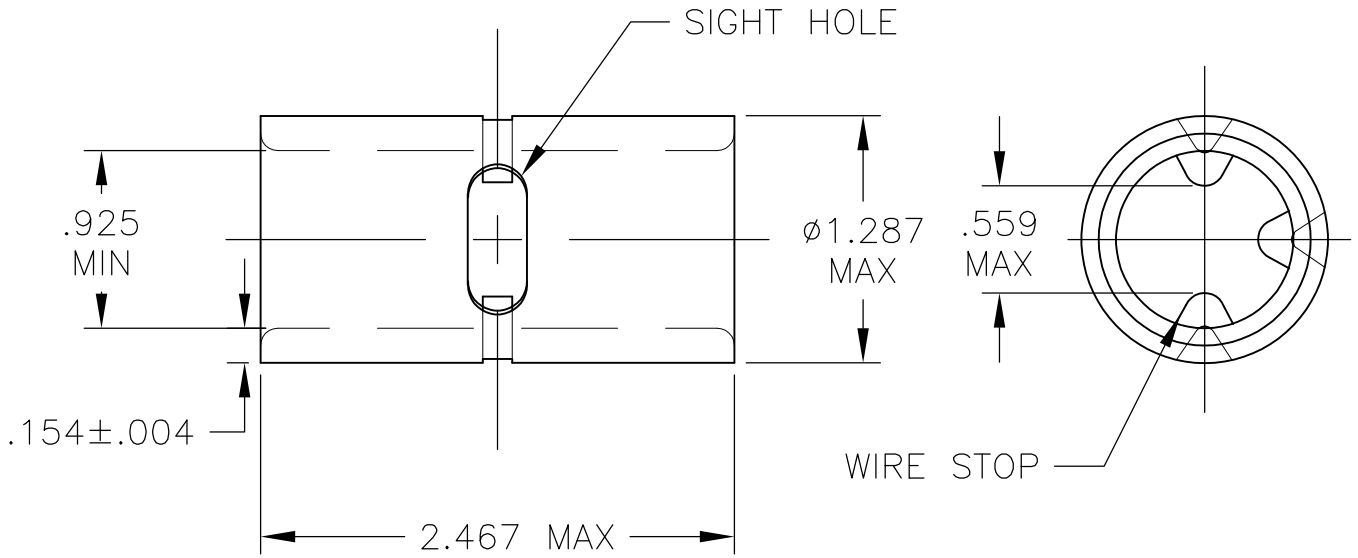


LOC G	DIST 14	REVISIONS			
P	LTR	DESCRIPTION	DATE	DWN	APVD
	B2	REVISED PER ECR-09-016543	30JUL09	JR	TM



MATERIAL: COPPER PER ASTM B152, ANNEALED



25	LOOSE PIECE	322281
QTY	PACKAGE TYPE	PART NO.

THIS DRAWING IS UNPUBLISHED.

ALL INTERNATIONAL RIGHTS RESERVED. BY TYCO ELECTRONICS CORPORATION. © COPYRIGHT

DIMENSIONS: INCHES	DWN RAGHAVENDRA 29SEP08	MATERIAL 1	FINISH TIN PLATE PER ASTM B545
	CHK JEFF RUTH 29SEP08	Tyco Electronics Corporation Harrisburg, PA 17105-3608	
TOLERANCES UNLESS OTHERWISE SPECIFIED:	APVD Michielutti Thomas 29SEP08	NAME WIRE SPLICE SOLISTRAND- BUTT WIRE SIZE: 400 MCM	
	PRODUCT SPEC -	SIZE A4	CAGE CODE 00779
0 PLC ± -	APPLICATION SPEC -	DRAWING NO G-322281	RESTRICTED TO -
1 PLC ± -	WEIGHT -	SCALE 1:1	
2 PLC ± -		SHEET 1 OF 1	
3 PLC ± .005		REV B2	
4 PLC ± -		CUSTOMER DRAWING	
ANGLES ± 0° 30'			

