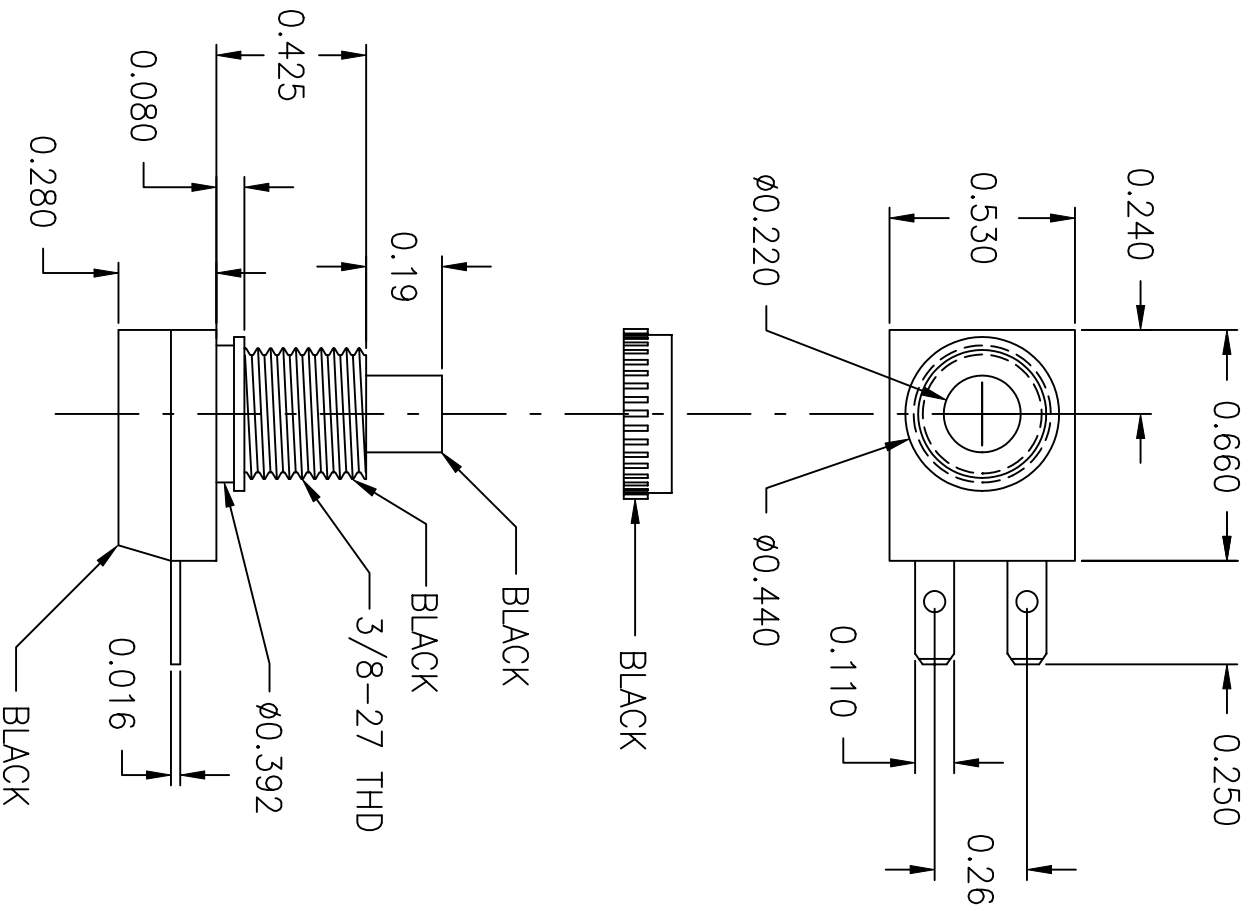


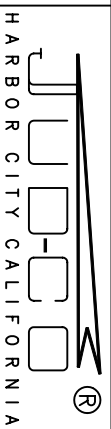
LTR	EN	DESCRIPTION	APPR	BY	DATE
A	-	INITIAL RELEASE	RB	EM	2-10-04



JUDCO INVENTORY NO. 40-2504-01  
 SWITCH TYPE: SPST, MOMENTARY NORMALLY CLOSED  
 NUTS PACKED SEPARATELY.

CUSTOMER: DIGI KEY  
 CUST. PN: 510 PB-ND  
 APPROVED BY: \_\_\_\_\_  
 DATE: \_\_\_\_\_

DIMENSIONS IN INCHES  
 DIMENSIONS ARE REFERENCE



TITILE  
 HARBOR CITY CALIFORNIA  
 OUTLINE  
 J-188A-3

DRAWN: EM 02-10-04  
 APPR: KJ 02-10-04

DWG. NO. 1415-568

1415US568A.DWG

SHEET

1 OF 1

This document embodies a product, component, and/or design proprietary to JUDCO MANUFACTURING INC., and which is protected either as a trade secret, by U.S. Patent, or by copyright. It may not be used in any way without written express consent of JUDCO MANUFACTURING INC.